



# VACUUM SEALER SU-810

Floorstanding unit. 100m<sup>3</sup>/h. 530+848 mm.



## SALES DESCRIPTION

Two sealing bars (530+848 mm.)  
100 m<sup>3</sup>/h Busch vacuum pump.  
Vacuum controlled by sensor.

- ✓ Powered by Busch.
- ✓ Vacuum controlled by sensor.
- ✓ Vacuum PLUS.
- ✓ LCD colour screen: all information at a glance.
- ✓ Backlit touch keyboard.
- ✓ Programmable: 25-programme memory. Blocking option.
- ✓ "Pause" button.
- ✓ Phased vacuum programme.
- ✓ Detection of the evaporation of liquids.
- ✓ Double seal.
- ✓ Cordless sealing bar.
- ✓ Progressive decompression.
- ✓ Vac-Norm ready with Automatic decompression.
- ✓ Stainless steel body and chamber.
- ✓ Damped transparent lid of high durability polycarbonate.
- ✓ Dry-oil programme for drying the pump.
- ✓ Working hours counter for oil changes.
- ✓ Safety system with protection against vacuum failure.
- ✓ NSF-listed.

## INCLUDES

- ✓ BUSCH pump.
- ✓ Sensor Controls.
- ✓ 25 programmable settings.
- ✓ Vacuum PLUS: up to 10 seconds of extra vacuum pull.
- ✓ Soft air function.
- ✓ Clear methacrylate lid.
- ✓ "PAUSE" function.
- ✓ Liquid detection system.
- ✓ Dry oil cycle.
- ✓ NSF Approved.
- ✓ Filling plate.

## OPTIONAL

- Inert gas
- Sealing plus
- Printer
- Bluetooth connectivity
- Vacuum packing bags
- External vacuum kit for Vac-Norm, containers and accessories
- Bag cutting kit
- Support for liquid packaging
- Additional filling plates

## ACCESSORIES

- Bag cutting kits
- Filling plates
- Liquid insert plates
- Vac-norm external vacuum kits
- Vac-norm containers
- Smooth bags for vacuum packing
- Thermal labels for CG2 / RB printer
- RB Desktop printer for SU vacuum packing machines
- Thermal transfer labels for RB printer

## SPECIFICATIONS

Pump capacity: 100 m<sup>3</sup>/h  
Pump capacity (60 Hz): 120 m<sup>3</sup>/h  
Bar length: 530 mm + 848 mm  
Total loading: 2200 W  
Vacuum pressure (maximum): 0.5 mbar

Plug: --  
Electrical connection: --

### Internal dimensions

- ✓ Width: 864 mm
- ✓ Depth: 603 mm
- ✓ Height: 215 mm

### External dimensions (WxDxH)

- ✓ Width: 960 mm
- ✓ Depth: 757 mm
- ✓ Height: 998 mm

Net weight: 250 Kg

Noise level (1m.): 75 dB(A)  
Background noise: 32 dB(A)

### Crated dimensions

840 x 1060 x 1200 mm  
Gross weight: 275 Kg





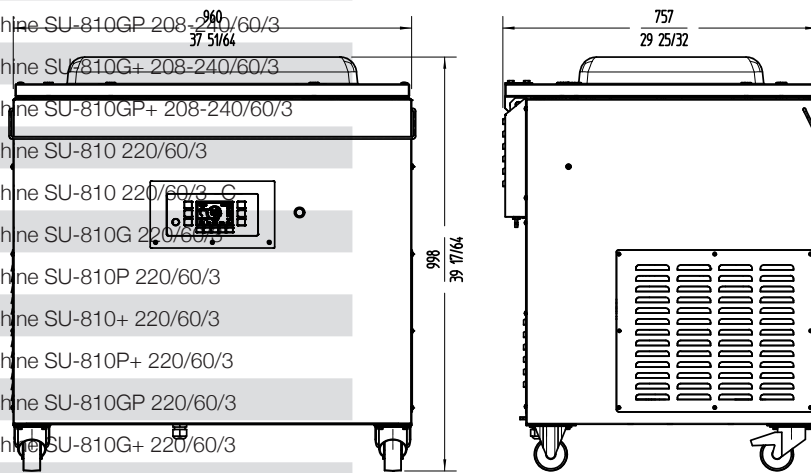
# VACUUM SEALER SU-810

Floorstanding unit. 100m<sup>3</sup>/h. 530+848 mm.

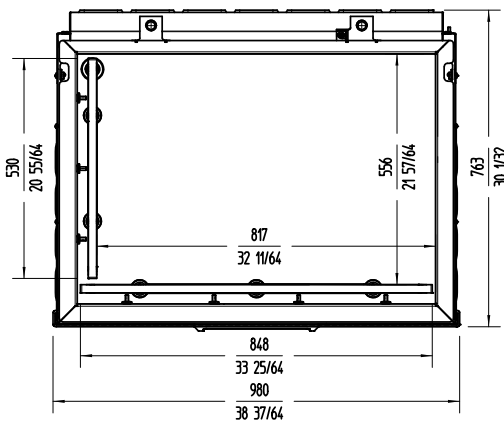


## AVAILABLE MODELS

1140935	Vacuum packing machine SU-810 400/50-60/3N
1140936	Vacuum packing machine SU-810 400/50-60/3N -C-
1140937	Vacuum packing machine SU-810G 400/50-60/3N
1140938	Vacuum packing machine SU-810P 400/50-60/3N
1140939	Vacuum packing machine SU-810+ 400/50-60/3N
1140940	Vacuum packing machine SU-810P+ 400/50-60/3N
1140941	Vacuum packing machine SU-810GP 400/50-60/3N
1140942	Vacuum packing machine SU-810G+ 400/50-60/3N
1140943	Vacuum packing machine SU-810GP+ 400/50-60/3N
1140965	Vacuum packing machine SU-810 208-240/60/3
1140966	Vacuum packing machine SU-810 208-240/60/3 -C-
1140967	Vacuum packing machine SU-810G 208-240/60/3
1140968	Vacuum packing machine SU-810P 208-240/60/3
1140969	Vacuum packing machine SU-810+ 208-240/60/3
1140970	Vacuum packing machine SU-810P+ 208-240/60/3
1140971	Vacuum packing machine SU-810GP 208-240/60/3
1140972	Vacuum packing machine SU-810G+ 208-240/60/3
1140973	Vacuum packing machine SU-810GP+ 208-240/60/3
1140996	Vacuum packing machine SU-810 220/60/3
1140997	Vacuum packing machine SU-810 220/60/3 -C-
1140998	Vacuum packing machine SU-810G 220/60/3
1140999	Vacuum packing machine SU-810P 220/60/3
1141000	Vacuum packing machine SU-810+ 220/60/3
1141001	Vacuum packing machine SU-810P+ 220/60/3
1141002	Vacuum packing machine SU-810GP 220/60/3
1141003	Vacuum packing machine SU-810G+ 220/60/3
1141004	Vacuum packing machine SU-810GP+ 220/60/3



\* Ask for special versions availability



FOOD PRESERVATION AND SOUS-VIDE  
VACUUM PACKING MACHINES - "SENSOR ULTRA" LINE

**sammic** | www.sammic.com  
Food Service Equipment Manufacturer

Polígono Basarte, 1. phone +34 943 15 72 36  
20720 Azkoitia, Spain sales@sammic.com

Project	Date
Item	Qty
Approved	

product sheet  
updated 04/03/2022