

Coffee grinders

MD CONIK



INDEX

MD CONIK - GENERIC TABLE	2
COACHWORK MD CONIK	5
COFFEE POWDER DOSER MD CONIK	7
GRINDING SECTION MD CONIK	9
ELECTRIC COMPONENTS MD CONIK	11

Pos	Part Number	Description	Validity	Notes
-	535560008	CONTACTOR 230/450V		
	⇌ 2492133739	CONTACTOR 230/400V		
-	965813000	CONIC STONES MC99/CONIK		
	⇌ 2801131470	GRINDSTONES CONIK		
-	965501000	MICRO BRACKET		
	⇌ 3251131313	MICRO SUPPORT FORMATION		
-	965718000	SAFETY SWITCH		
	⇌ 3301134618	SAFETY SWITCH		
-	3305134188	3 WAY CONNECTIONS (SCREW)		
-	3341115503	CONDENSER 230V		
-	537052300	16MF CONDENSER WITH RESISTANCE		
	⇌ 3341131517	CAPACITOR 16MF 230V		
-	965719000	SAFETY SWITCH 230 V		
	⇌ 3341134617	SAFETY SWITCH 230 V		
-	965276000	HOPPER		
	⇌ 3504135294	HOPPER		
-	535573008	WARNLIGHT 400V GREEN		
	⇌ 3591133546	WARNLIGHT 400V GREEN		
-	532740300	BEARING		
	⇌ 3711022872	BEARING		
-	3711022897	BEARING		
-	532021608	SWITCH 3 PHASE		
	⇌ 3761119957	SWITCH 3 PHASE		
-	965988000	DOSING LEVER		
	⇌ 3811135492	DOSING LEVER		
-	3819135286	DOSER BODY CONIK		
-	965448000	GRIND STAR		
	⇌ 3831117458	STAR		
-	965449000	REGULATION STAR		
	⇌ 3831117460	DOSING STAR		
-	4001041911	SCREW M4X10		
-	4001041952	SCREW M6X14		
-	4001045043	SCREW M6X14		
-	521042160	SCREW		
	⇌ 4001048382	SCREW		
-	4001131244	SCREW FOR GRINDER		
-	4004041357	SCREW M4 X 30		
-	4004041668	SCREW M4X14		
-	4004048325	T.C.SELF-TAP.SCR./RECESS 2,9X19		
-	4032045292	NUT M6 CROMPLATED		
-	4034041276	NUT		
-	4034041278	NUT		
-	4034043264	NUT		
-	4054043141	WASHER		
-	4058047118	WASHER		

Pos	Part Number	Description	Validity	Notes
-	965485000	REGUALTION MILLING GEAR		
	⇄ 4529135275	GRINDING ADJSTMENT RING		
-	537055800	CONIK BELL SUPPORT WITH SQUARE		
	⇄ 4529135278	HOPPER SUPPORT		
-	465324010	PLATE CONIK		
-	465411000	HOPPER SPACER		
-	465411030	SPACER		
-	465614000	COFFEE TAMPER MD CONIK		
	⇄ 465437000	TAMPER FOR MD CONIK		
-	465614000	COFFEE TAMPER MD CONIK		
	⇄ 465439000	TAMPER COVER MD CONIK		
-	465450000	RUBBER FEET		
-	465498010	SHUTTER		
	⇄ 465498000	SHUTTER		
-	465624000	SINGLE-PHASE WIRING		
-	465625000	THREE-PHASE WIRING		
-	465821020	GRIND CHAMBER		
	⇄ 465821000	GRINDING CHAMBER		
-	465821020	GRIND CHAMBER		
	⇄ 465821010	GRINDING CHAMBER		
-	465822008	STARTING CARD 230V		
	⇄ 465822000	STARTING CARD 230V		
-	465992010	MD SPECIAL HOPPER COVER		
	⇄ 465992000	HOPPER LID		
-	965452000	DOSER SCRAPER		
	⇄ 4731119891	ROD		
-	965454000	DOSER PIPE		
	⇄ 4804131211	GROUND COFFEE CONTAINER		
-	965006000	GRINDSTONE HOLDER SHAFT		
	⇄ 4811022908	GRINDSTONE HOLDER SHAFT		
-	4811029051	PIN KEY		
-	4819135276	UPPER BODY MD CONIK		
-	965457020	FAN		
	⇄ 4821024371	IMPELLER		
-	965456000	STONES CHAMBER		
	⇄ 4821135495	PROTECTION		
-	965484000	CYLINDER		
	⇄ 4831117454	CYLINDER		
-	965451000	BLENDER		
	⇄ 4831117462	MIXER		
-	965350000	SUPPORT COVER FOR MICRO CONICK MC99		
	⇄ 4831130192	MICROSWITCH COVER		
-	965453000	GEAR		
	⇄ 4851117463	RING NUT FOR MIXER LOCK		
-	965450000	DOSING SECTOR		

Pos	Part Number	Description	Validity	Notes
	⇒ 4941026287	DOSING DEVICE		
-	965421000	LOWER DOSER BODY		
	⇒ 4941135268	DOSER LOWER COVER		
-	965236000	GEAR		
	⇒ 4991022839	GEAR		
-	501804100	M4X10 T.C.T.CR. SCREW		
-	502604250	4X25 TE SCREW		
-	511805203	M5X20 VTCE SCREW		
-	531505700	RELAY 16A 250V		
-	532150000	TERMINAL BLOCK		
-	535874000	POWER SUPPLY CABLE		
-	535875000	POWER SUPPLY CABLE		
-	535876000	H07RN-F 4x1 POWER SUPPLY CABLE (REPLACEM		
-	537052300	16MF CONDENSER WITH RESISTANCE		
-	565801041	WASHER 6,7		
-	593782001	HEXAGONAL-HEAD SCREW		
-	920180010	ADAPTATOR		
	⇒ 920180000	SPHERE SEAT		
-	965197004	DOSER BODY CONIK		
-	965199004	UPPER BODY MD CONIK		
-	965461000	NUT M12		
-	965511004	CONIK BASE GRINDER-DOSER TITANIUM		
-	975007000	RESISTANCE 180KOhm 1W		
-	965512004	UPPER BODY TITAN MC 99		
-	965457020	FAN		
	⇒ 965457010	FAN		
-	965462004	ASS.CORPO DOSATORE GRI CONIK		
-	965513004	TITANIUM CONIK MEASURING DEVICE		
-	965457020	FAN		
-	465498020	COFFEE STOP PLATE		
-	465821030	COMPL.REGOL.MACINATO MC99/KON		

MOLINO DOSIFICADOR
MOINHO DOSEADOR

COFFEE GRINDER
KAFFEE DOSIERMÜHLE

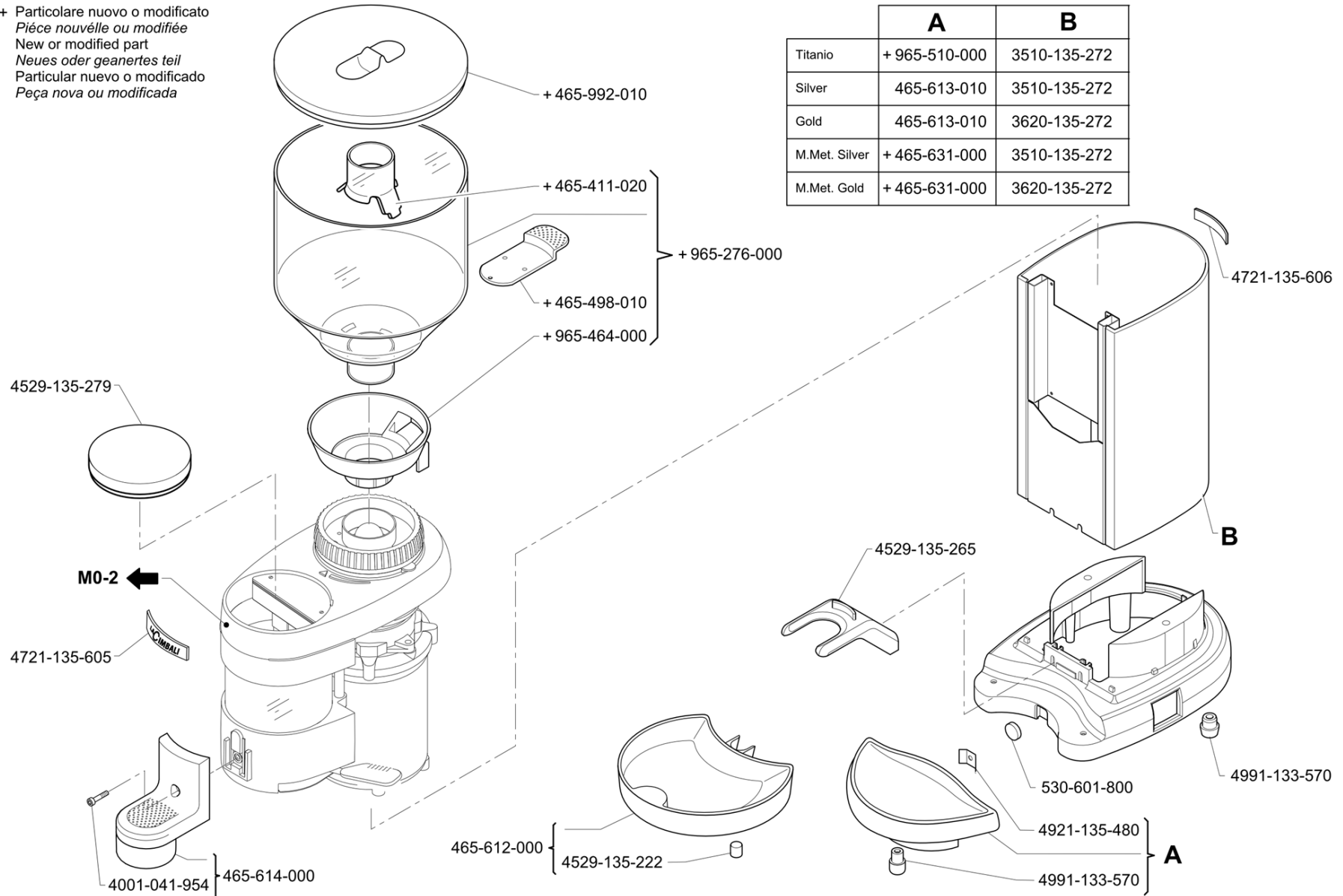
MACINADOSATORE
MOULIN DOSEUR

CONIK



+ Particolare nuovo o modificato
Pièce nouvelle ou modifiée
New or modified part
Neues oder geändertes Teil
Particular nuevo o modificado
Peça nova ou modificada

	A	B
Titanio	+ 965-510-000	3510-135-272
Silver	465-613-010	3510-135-272
Gold	465-613-010	3620-135-272
M.Met. Silver	+ 465-631-000	3510-135-272
M.Met. Gold	+ 465-631-000	3620-135-272



CARROCERIA
ESTRUTURA

COACHWORK
KAROSSERIE

CARROZZERIA
CARROSSERIE

ED. AUSGABE 05-12

TAB. M0-1

Pos	Part Number	Description	Validity	Notes
-	3510135272	SILVER BACK PANEL		
-	3620135272	GOLD BODY		
-	4001041954	SCREW M6X18		
-	4529135222	SCREW PLUG ø8.5MM		
-	4529135265	FILTERHOLDER SUPPORT		
-	4529135279	LID		
-	465411030	SPACER		
	⇒ 465411020	HOPPER SPACER		
-	465498010	SHUTTER		
-	465612000	PLATE		
-	465613010	CONTAINER		
-	465614000	COFFEE TAMPER MD CONIK		
-	465631000	BROWN CONTAINER		
-	465992010	MD SPECIAL HOPPER COVER		
-	4721135605	"LA CIBALI" NAME PLATE		
-	4721135606	"CONIK" NAME PLATE		
-	4921135480	PLATE		
-	4991133570	FOOT RUBBER		
-	530601800	FIXING PLATE MAGNET		
-	965276000	HOPPER		
-	537055800	CONIK BELL SUPPORT WITH SQUARE		
	⇒ 965464000	CONIK HOPPER BRACKET		
-	965510000	CONIK BOTTOM JOINT BOTTOMS ASSEMBLY TITA		

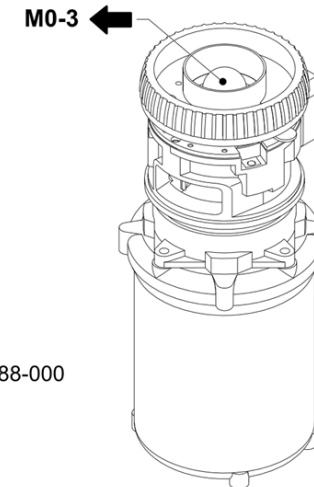
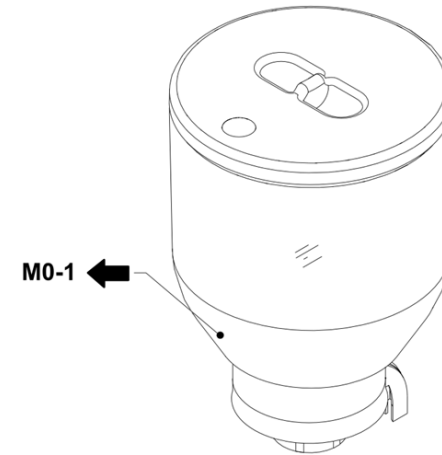
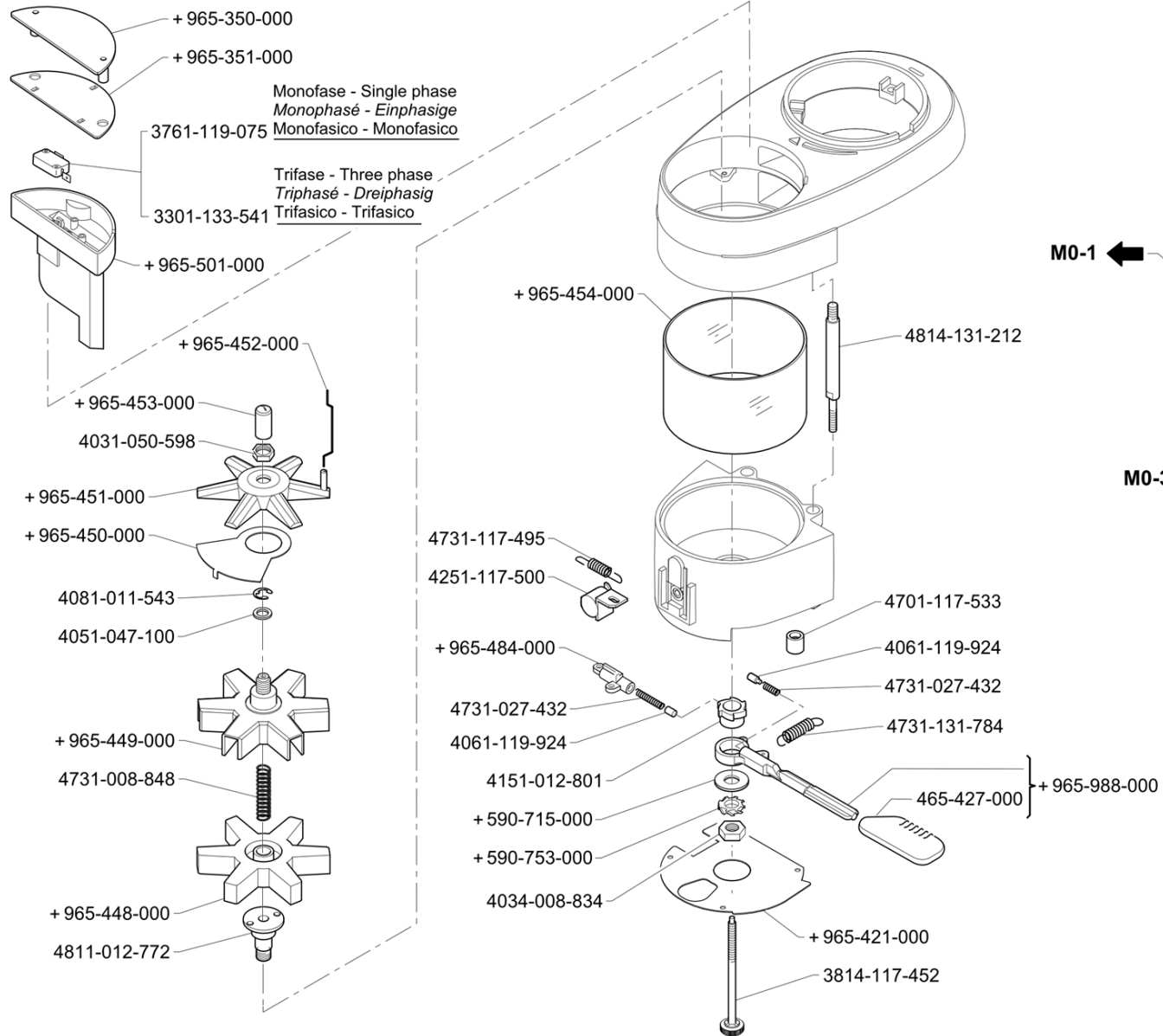
MOLINO DOSIFICADOR
MOINHO DOSEADOR

COFFEE GRINDER
KAFFEE DOSIERMÜHLE

MACINADOSATORE
MOULIN DOSEUR

CONIK

LA CIBALI



+ Particolare nuovo o modificato
 Pièce nouvelle ou modifiée
 New or modified part
 Neues oder geaertes teil
 Particular nuevo o modificado
 Peça nova ou modificada

DOSIFICADOR DE CAFÉ MOLIDO
DOSEADOR DE CAFE MOIDO

COFFEE POWDER DOSER
KAFFEEPULVERDOSIERER

DOSATORE MACINATO
DOSEUR CAFE MOULU

ED. AUSGABE 05-12

TAB. M0-2

Pos	Part Number	Description	Validity	Notes
-	3301133541	MICRO SWITCH 230/400V		
-	3761119075	MICROSWITCH MPN		
-	3814117452	DOSAGE REGULATION TIE ROD		
-	965461000	NUT M12		
	≠ 4031050598	NUT M12 X 15 LEFT		
-	4034008834	NUT		
-	4051047100	FLAT WASHER 4,3X9		
-	4061119924	PIN		
-	4081011543	RING		
-	4151012801	GEAR		
-	4251117500	STROKE COUNTER		
-	465427000	HANDLE		
-	4701117533	BUFFER RUBBER CAP		
-	4731008848	SPRING		
-	4731027432	SPRING		
-	4731117495	SPRING FOR COUNTER		
-	4731131784	DOSING LEVER SPRING		
-	4811012772	FEED SHAFT		
-	4814131212	SCREW		
-	590715000	WASHER 22,15 X 1,2		
-	590753000	WASHER		
-	965350000	SUPPORT COVER FOR MICRO CONICK MC99		
-	965351000	MICRO COVER GASKET		
-	965421000	LOWER DOSER BODY		
-	965448000	GRIND STAR		
-	965449000	REGULATION STAR		
-	965450000	DOSING SECTOR		
-	965451000	BLENDER		
-	965452000	DOSER SCRAPER		
-	965453000	GEAR		
-	965454000	DOSER PIPE		
-	965484000	CYLINDER		
-	965501000	MICRO BRACKET		
-	965988000	DOSING LEVER		

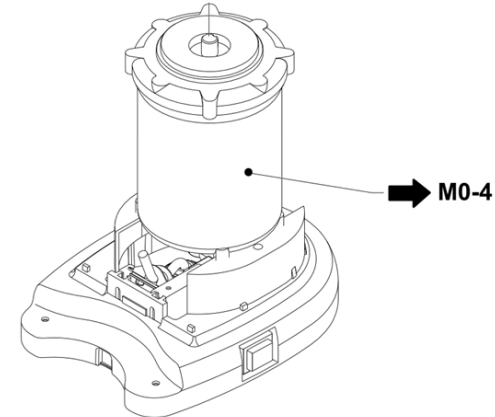
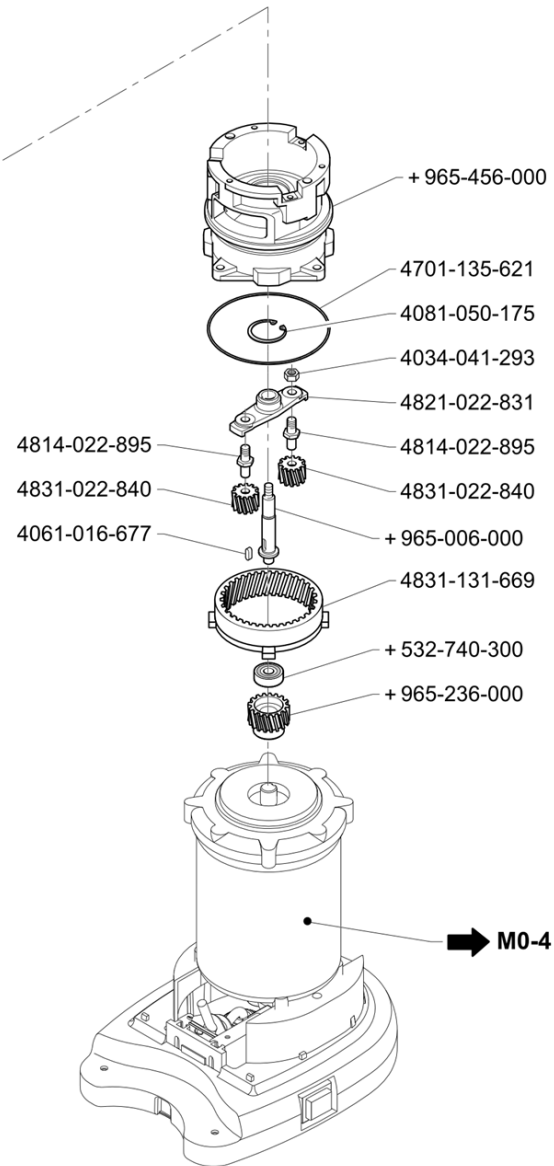
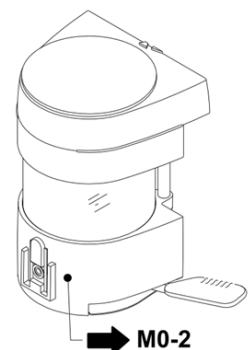
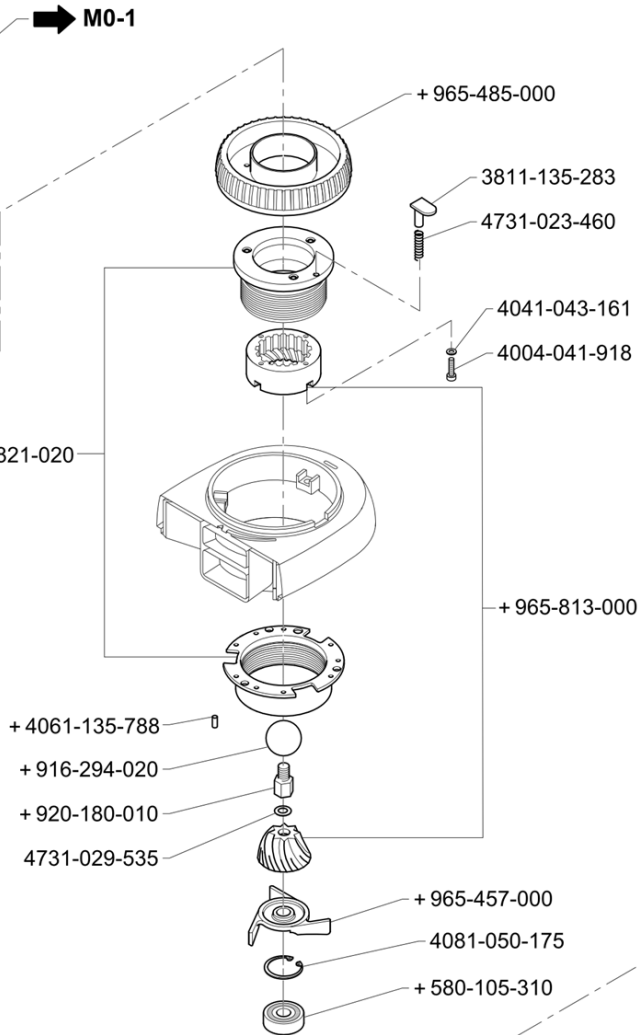
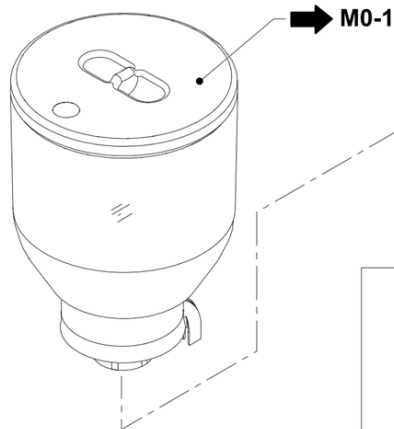
MOLINO DOSIFICADOR
MOINHO DOSEADOR

COFFEE GRINDER
KAFFEE DOSIERMÜHLE

MACINADOSATORE
MOULIN DOSEUR

CONIK

LA CIBALI



+ Particolare nuovo o modificato
 Piéce nouvelle ou modifiée
 New or modified part
 Neues oder geänertes teil
 Particular nuevo o modificado
 Peça nova ou modificada

CAMARA DE MOLTURACIÓN
CÂMARA DE MOAGEM

GRINDING SECTION
MAHLSCHLEIBENKAMMER

CAMERA DI MACINAZIONE
SECTION DE MOUTURE

ED. AUSGABE 05-12

TAB. M0-3

Pos	Part Number	Description	Validity	Notes
-	3811135283	STOP PIN		
-	4004041918	SCREW M4X25		
-	4034041293	NUT		
-	4041043161	WASHER		
-	4061016677	TAB		
-	4061135788	PIN 3X6		
-	4081050175	RING SEEGER		
-	465821020	GRIND CHAMBER		
-	4701135621	OR 107,70X1,78		
-	4731023460	SPRING		
-	4731029535	SPRING		
-	4814022895	PIN SATELLIT		
-	4821022831	SUPPORT		
-	4831022840	SATELLITE		
-	4831131669	GEAR PART SATELLITE		
-	532740300	BEARING		
-	580105310	BEARING		
-	916294020	M2 GRINDER BALL		
-	920180010	ADAPTATOR		
-	965006000	GRINDSTONE HOLDER SHAFT		
-	965236000	GEAR		
-	965456000	STONES CHAMBER		
-	965457020	FAN		
	≠ 965457000	FAN		
-	965485000	REGUALTION MILLING GEAR		
-	965813000	CONIC STONES MC99/CONIK		

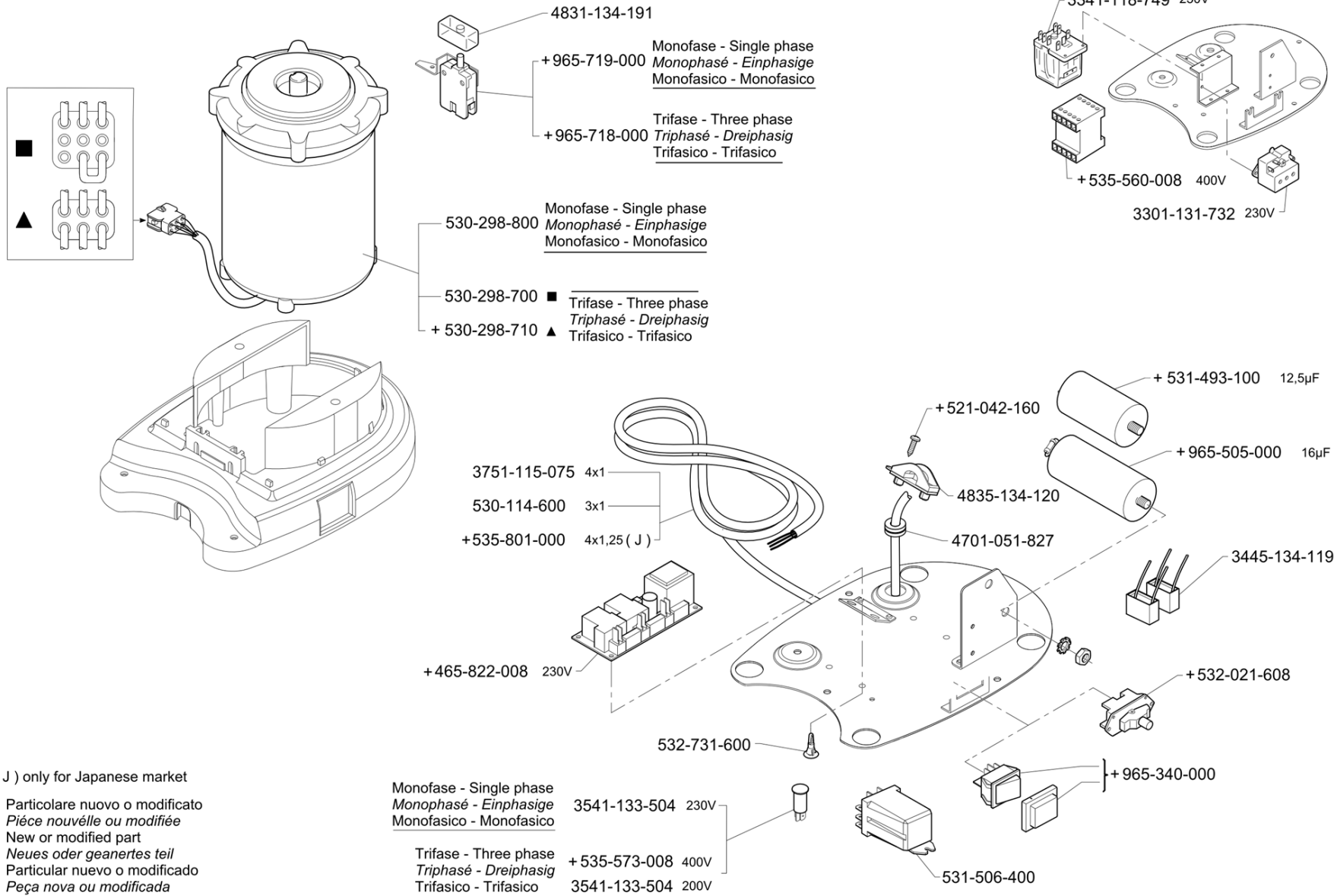
MOLINO DOSIFICADOR
MOINHO DOSEADOR

COFFEE GRINDER
KAFFEE DOSIERMÜHLE

MACINADOSATORE
MOULIN DOSEUR

CONIK

LA CIBALI



COMPONENTES ELÉCTRICOS
COMPONENTES ELÉCTRICOS

ELECTRIC COMPONENTS
ELEKTRISCHE BESTANDTEILE

COMPONENTI ELETTRICI
COMPOSANTES ELECTRIQUES

ED. AUSGABE 05-12

TAB. M0-4

Pos	Part Number	Description	Validity	Notes
-	3301131732	INSTR. 2C4140 CIRCUIT BREAKER		
-	3341118749	230V RELAY		
-	3445134119	SUPPRESSOR CAPACITOR		
-	3541133504	GREEN LAMP 230V		
-	535876000	H07RN-F 4x1 POWER SUPPLY CABLE (REPLACEM		
	⇒ 3751115075	WIRE FEEDING 3-PHASE		
-	465822008	STARTING CARD 230V		
-	4701051827	CLAMP		
-	4831134191	SWITCH PROTECTION		
-	4835134120	FIXCABLE		
-	521042160	SCREW		
-	535874000	POWER SUPPLY CABLE		
	⇒ 530114600	SUPPLY WIRE 3X1		
-	530298700	THREE-PHASE MOTOR 400/50		
-	530298710	THREE-PHASE MOTOR 400/50		
-	530298800	MOTOR 230/50		
-	531494100	CONDENSER 12.5 uF DUCATI 416.33.3029		
	⇒ 531493100	CAPACITOR 12.5uF		
-	531506400	RELAY 230V-50/60HZ		
-	532021608	SWITCH 3 PHASE		
-	532731600	NYLON SPACER H9,5X64		
-	535560008	CONTACTOR 230/450V		
-	535573008	WARNLIGHT 400V GREEN		
-	535875000	POWER SUPPLY CABLE		
	⇒ 535801000	MAIN CABLE 4X1,25 L2000		
-	965340000	LIGHT SWITCH		
-	537052300	16MF CONDENSER WITH RESISTANCE		
	⇒ 965505000	CONDENSER 16 uF		
-	965718000	SAFETY SWITCH		
-	965719000	SAFETY SWITCH 230 V		

LA Cimbali