
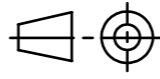
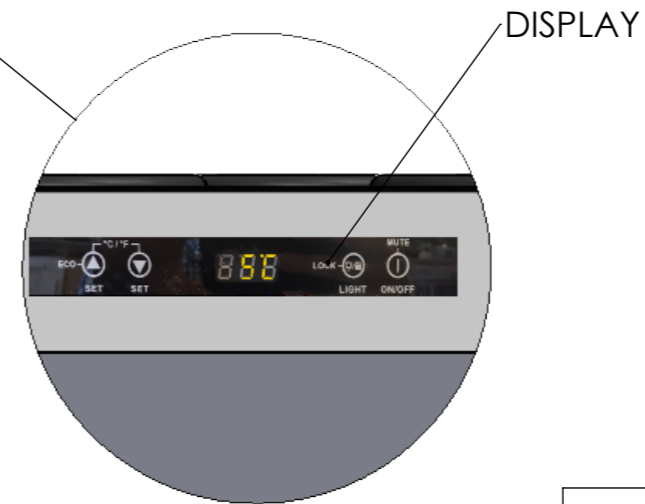
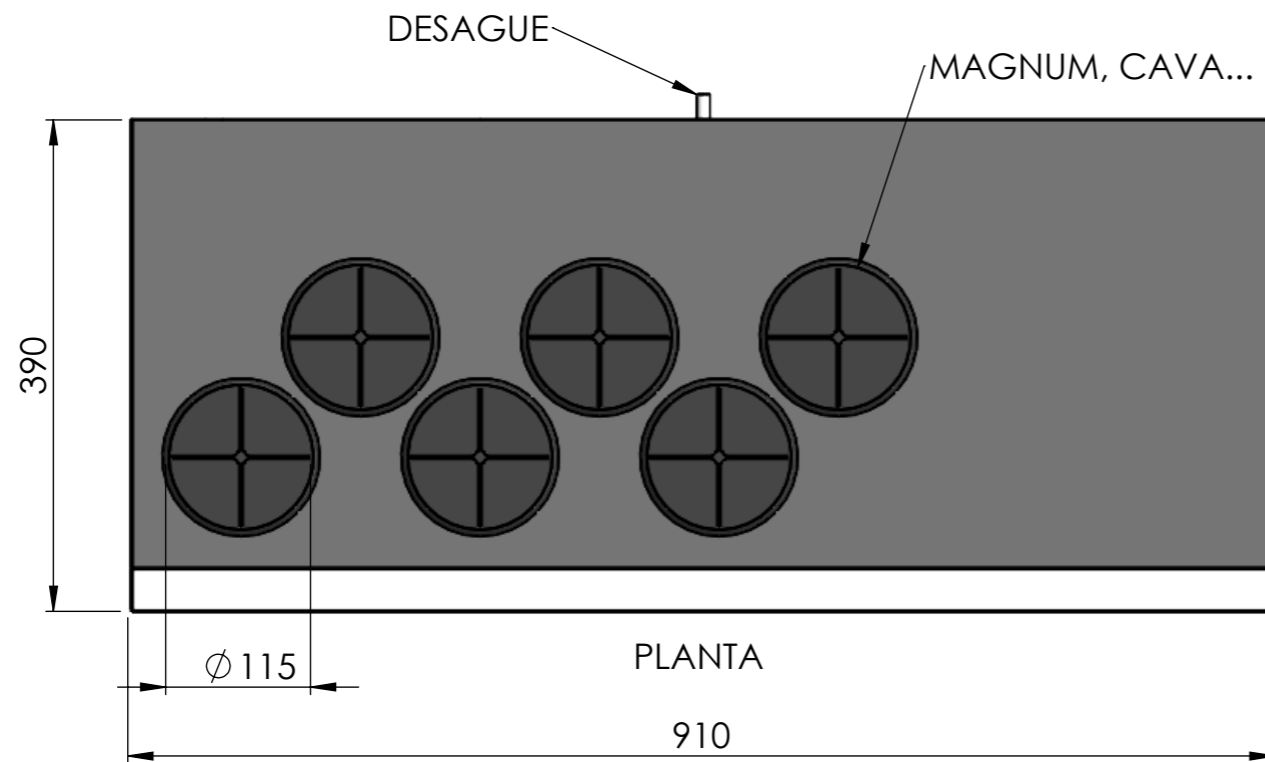
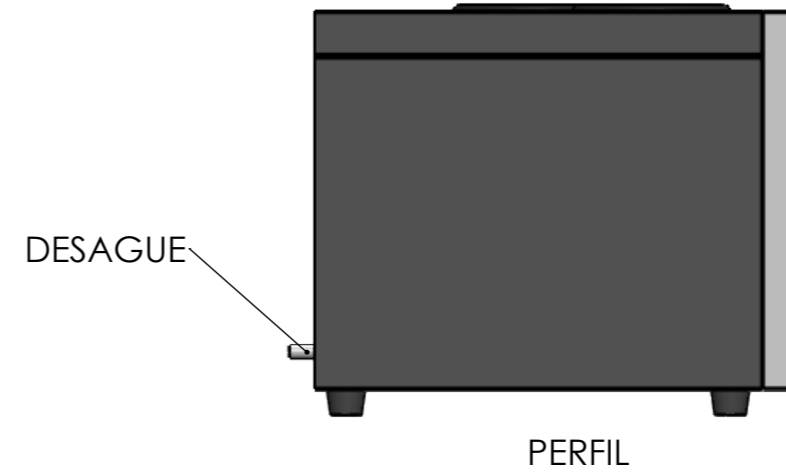
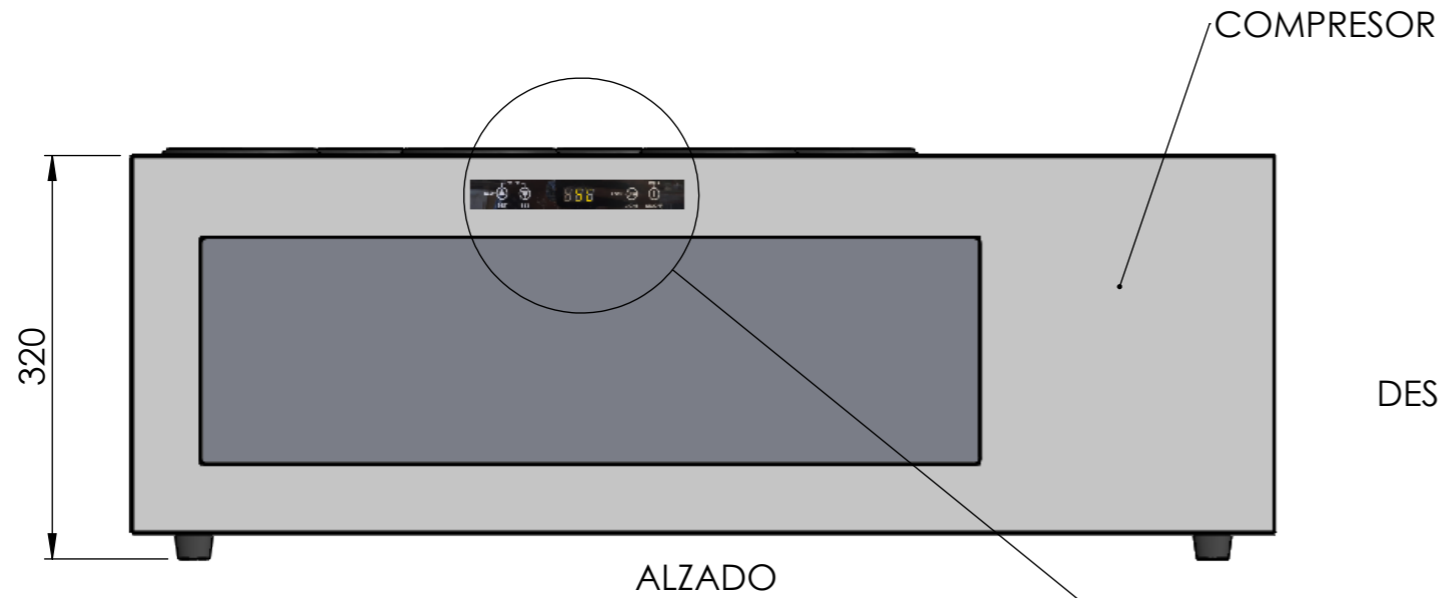





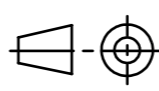
**TW01-6**

	Date	Name	 <small>THE INFORMATION CONTAINED IN THIS DRAWING IS THE SOLE PROPERTY OF TEMPERWINE S.L. IN MÁLAGA, SPAIN. ANY REPRODUCTION IN PART OR AS A WHOLE WITHOUT THE WRITTEN PERMISSION OF TEMPERWINE S.L. IS PROHIBITED.</small>	
Design:				
Checked:				
Modified:				
Scale: 1:5	Part name: TW01-6		Top assembly: TW02-12	Client:
Unit:				Material:
	Description:			Reference: TW01-6
	ENFRIADOR DE BARRA 6 BOTELLAS MAGNUM			Count:
				Pages: 1 OF 2

Sign:



DATOS TÉCNICOS	
Voltaje	220V-240V
Frecuencia	50Hz
Amperaje	0.45A
Potencia de entrada	90W
Refrigerante	R600a/23g
Peso neto	33kg
Botellas	6 botellas

Date	Name	 <small>THE INFORMATION CONTAINED IN THIS DRAWING IS THE SOLE PROPERTY OF TEMPERWINE S.L. IN MÁLAGA, SPAIN. ANY REPRODUCTION IN PART OR AS A WHOLE WITHOUT THE WRITTEN PERMISSION OF TEMPERWINE S.L. IS PROHIBITED.</small>	
Design:			
Checked:			
Modified:			
Scale: 1:5	Part name: TW01-6	Top assembly: TW02-12	Client:
Unit:			Material:
	Description:		Reference: TW01-6
	ENFRIADOR DE BARRA 6 BOTELLAS MAGNUM		Count:
			Pages: 2 OF 2

Sign: