

WARING® COMMERCIAL WAFFLE AND WAFFLE CONE MAKERS

WARING
COMMERCIAL™

Features

- Heavy-duty die-cast housing
- Embedded heating elements for precise temperature control
- Rotary feature for even baking
- Independent Ready lights and audio beep signals let you know when to start and stop baking
- Limited 1 Year Warranty

Single and Double Waffle Makers

WW180/WW200 - Belgian Waffles

WWCM180/WWCM200 - Waffle Cones

WWD180/WWD200 - Classic Waffles





WW180 SINGLE BELGIAN WAFFLE MAKER

Output: 35 Belgian Waffles Per Hour
Electrical: 120V, 1200W
Waffle Thickness: 1"
Accessories Included: Measuring Cup, Drip Tray



WW200 DOUBLE BELGIAN WAFFLE MAKER

Output: 50 Belgian Waffles Per Hour
Electrical: 120V, 1400W
Waffle Thickness: 1"
Accessories Included: Measuring Cup, Drip Tray



WWCM180 SINGLE WAFFLE CONE MAKER

Output: 60 Waffle Cones Per Hour
Electrical: 120V, 1200W
Waffle Cone Thickness: 1/8"
Accessories Included: Drip Tray, CAC121
Rolling/Forming Tools



WWCM200 DOUBLE WAFFLE CONE MAKER

Output: 120 Waffle Cones Per Hour
Electrical: 120V, 1400W
Waffle Cone Thickness: 1/8"
Accessories Included: Drip Tray, CAC121
Rolling/Forming Tools



WWD180 SINGLE WAFFLE MAKER

Output: 30 Waffles Per Hour
Electrical: 120V, 1200W
Waffle Thickness: 5/8"
Accessories Included: Measuring Cup, Drip Tray



WWD200 DOUBLE WAFFLE MAKER

Output: 60 Waffles Per Hour
Electrical: 120V, 1300W
Waffle Thickness: 5/8"
Accessories Included: Measuring Cup, Drip Tray



Single and Double Belgian Waffle, Waffle Cone, and Waffle Makers

Ready/Ready-to-Bake Indicator Lights

Triple-Coated Non-Stick Plates with Embedded Heating Element

Temperature Control Knob

Power On Controls and Indicator Lights

Dishwasher-Safe Drip Tray

Heavy-Duty Die-Cast Base



START and STANDBY Buttons

WWCM180

Make the perfect waffle cones and bowls with ease!



BONUS ACCESSORIES INCLUDED
Waffle cone rolling and forming tools



OPTIONAL ACCESSORIES
Waffle bowl forming tools



Specifications

Single and Double Belgian Waffle, Waffle Cone, and Classic Waffle Makers



Item	Electrical	Listings	Dimensions (H" x W" x D")	Warranty
WW180	120V, 10 Amp, 1200 Watts	cETLus, NSF	9.5" x 11" x 17"	Limited 1 Year
WW200	120V, 11.6 Amp, 1400 Watts	cETLus, NSF	10" x 11" x 17"	Limited 1 Year
WWCM180	120V, 10 Amp, 1200 Watts	cETLus, NSF	9.5" x 11" x 17"	Limited 1 Year
WWCM200	120V, 11.6 Amp, 1400 Watts	cETLus, NSF	10" x 11" x 17"	Limited 1 Year
WWD180	120V, 10 Amp, 1200 Watts	cETLus, NSF	9.5" x 11" x 17"	Limited 1 Year
WWD200	120V, 10.8 Amp, 1300 Watts	cETLus, NSF	10" x 11" x 17"	Limited 1 Year

Ordering Information

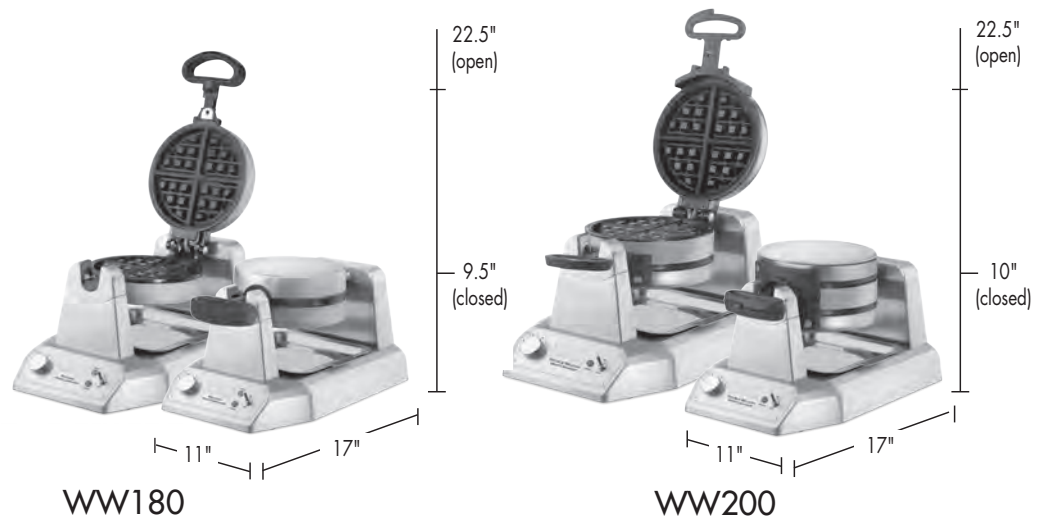
Description	Catalog #	Std Pkg.	Ship Wt. (lbs.)	Cubic Feet	UPC Code
Single Belgian Waffle Maker	WW180	1	17	1.691	040072016332
Double Belgian Waffle Maker	WW200	1	19.8	1.525	040072015687
Single Waffle Cone Maker	WWCM180	1	17	1.691	040072019937
Double Waffle Cone Maker	WWCM200	1	18	1.691	040072019906
Single Classic Waffle Maker	WWD180	1	17	1.691	040072019579
Double Classic Waffle Maker	WWD200	1	19.8	1.525	040072019586
Waffle Cone Rolling and Forming Tool	CAC121	1	1	0.18	040072022340
Waffle Bowl Forming Tool	CAC122	1	1	0.174	040072022333

©2014 Waring Commercial

Waring Commercial
314 Ella T. Grasso Ave.
Torrington, CT 06790
Tel. (800) 492-7464
Fax (860) 496-9008

www.waringcommercialproducts.com

14WC005586
PG-29837



WW180

WW200