



*CB 316*

# LIST OF THE EXPLODED VIEWS



*SHELL ASSY CB 316A / CB 316W*

*SHELL ASSY CB 316A DP*

*COOLING SYSTEM*

*HYDRAULIC CIRCUIT CB 316A / CB 316W*

*HYDRAULIC CIRCUIT CB 316A DP*

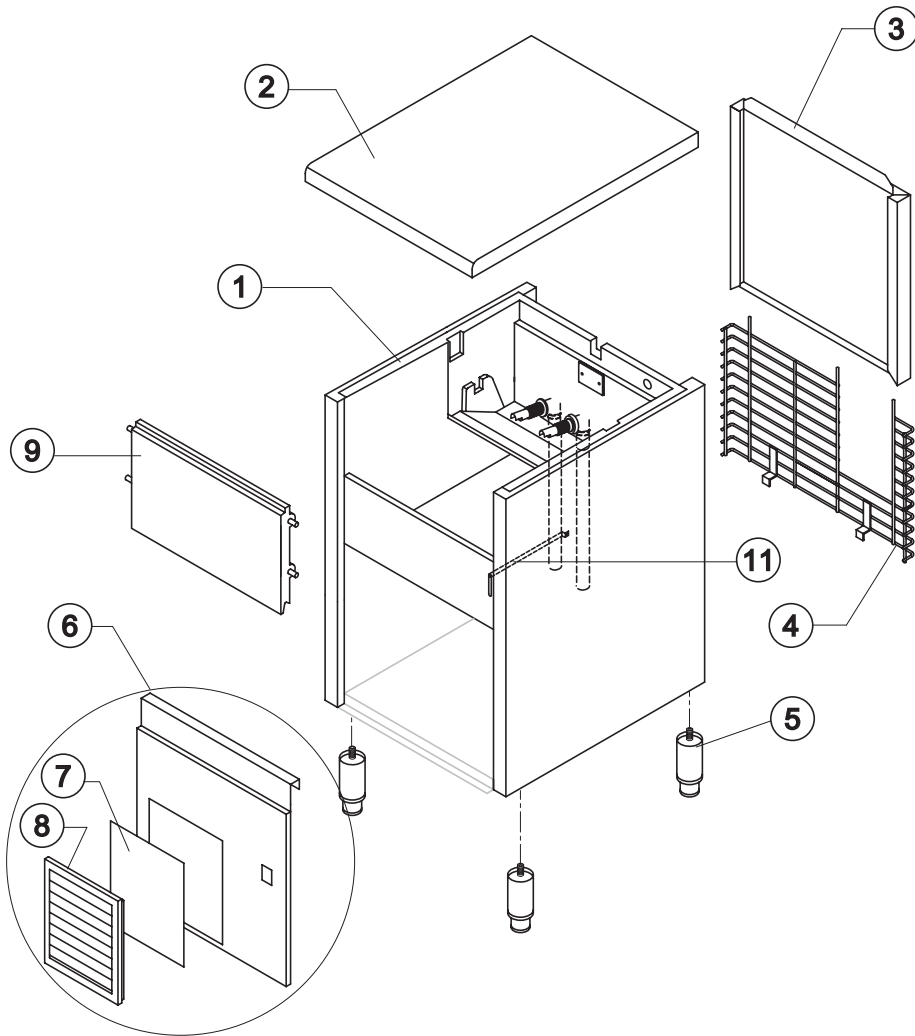
*ELECTRIC PARTS*

Rev. 12 - 13/03/2018



# CB 316

# SHELL ASSY CB 316A/ CB 316W



Ref.	Spare Description	Code
1	Foamed Cabinet Assy	See Table
2	Top Assembly	C22692
3	Rear Panel Assembly	C21182
4	Rear Grid	D12006
5	Foot	20613
6	Front Grid Panel	C22507
7*	Filtering Panel	18106
8	Frame + Grid & Filter	C10205
9	Door Assembly	C10297
11	Bulb-holder Pipe	20522

### Ref. 1 - Foamed Cabinet Assy

Condensation	Code
Air	C11004A
Water	C11004W

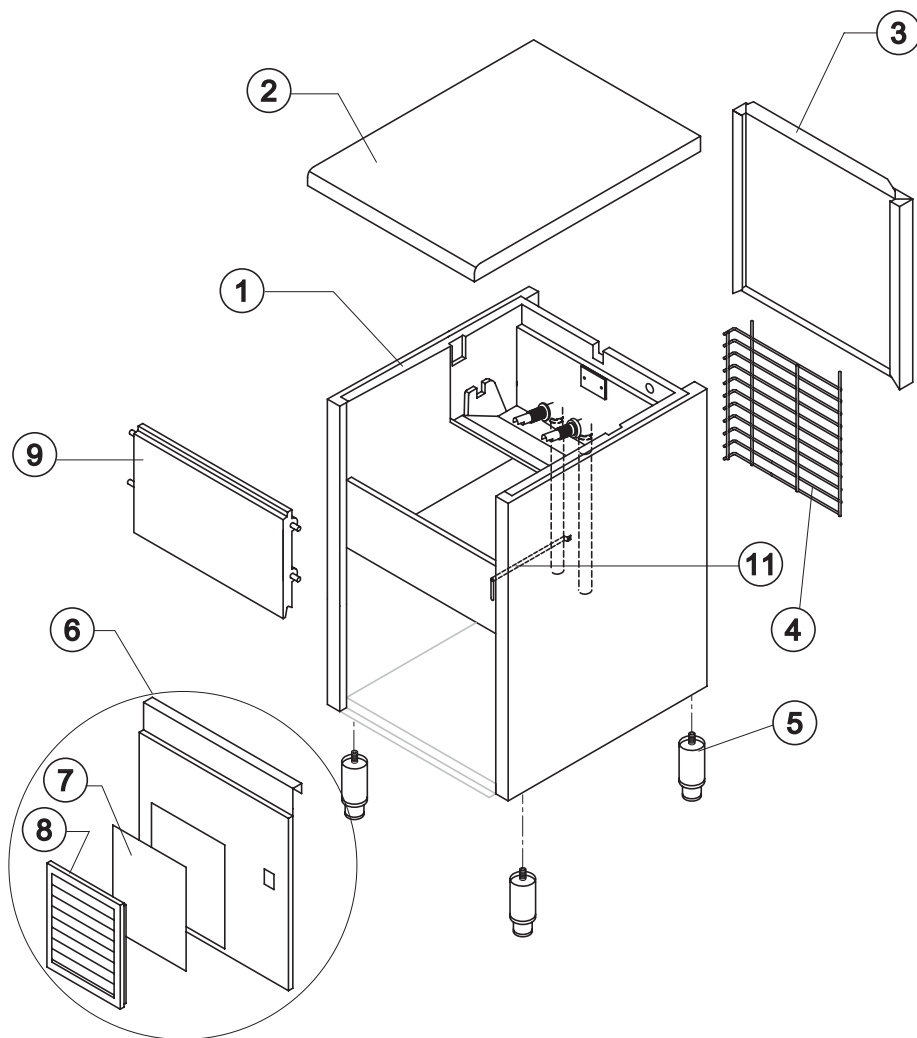
Rev. 12 - 13/03/2018



# CB 316

# SHELL ASSY

## CB 316A DP



Ref.	Spare Description	Code
1	Foamed Cabinet Assy	C11004DP
2	Top Assembly	C22692
3	Rear Panel Assembly	C21182
4	Rear Grid	D12101
5	Foot	20613
6	Front Grid Panel	C22507
7*	Filtering Panel	18106
8	Frame + Grid & Filter	C10205
9	Door Assembly	C10297
11	Bulb-holder Pipe	20522

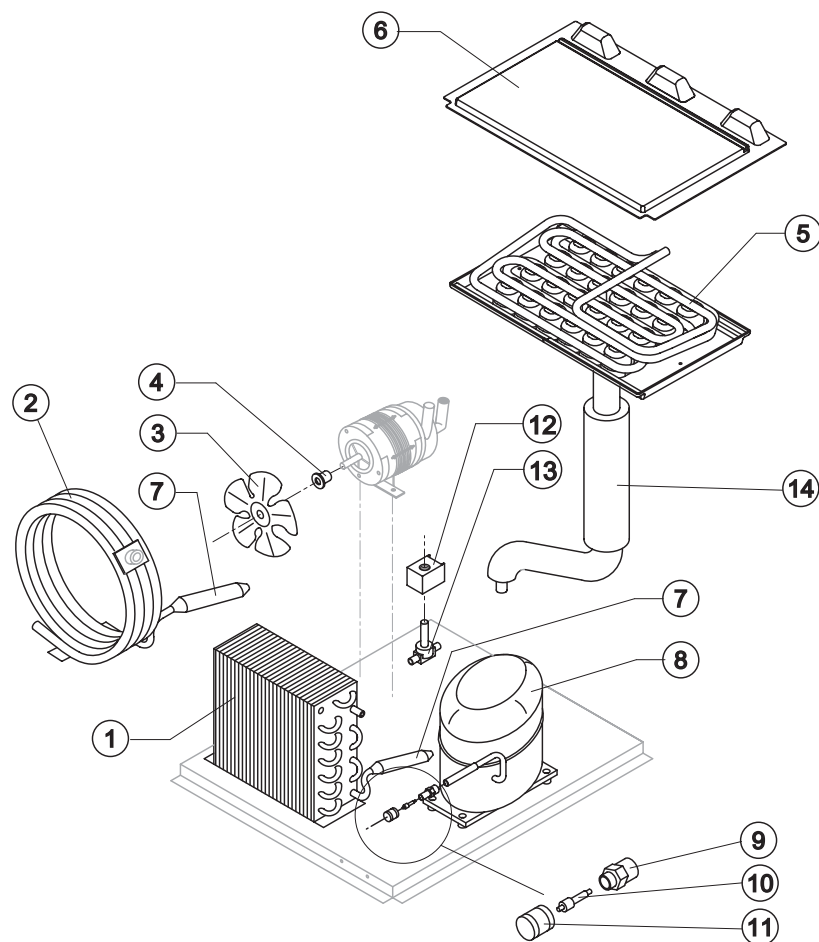
Rev. 12 - 13/03/2018



# CB 316

# COOLING SYSTEM

## CB 316A / CB 316W / CB 316A DP



### Common Parts

Ref.	Spare Description	Code
3	Sucking Fan	10213
4	Fan Fixing Hub	10014
5	Evaporator	See Table
6	Evaporator Cover Panel	from s/n. 224520 10449
7*	Molecular Drier	14009
8	Compressor	Vedi Tabella
9	Vacuum-Charge Valve Body	14007
10*	Vacuum-Charge Valve Device	14005
11*	Vacuum-Charge Valve Plug	14006
12*	Hot Gas Valve Coil	See Table
13*	Hot Gas Valve Body	20410
14	Suctin Line	for the spare parts code give us the s/n.

### Parts for Air-Cooled Version Only

Ref.	Spare Description	Code
1	Air Condenser	20283

### Parts for Water-Cooled Version Only

Ref.	Spare Description	Code
2	Water Condenser	14014

### Ref. 5 - Evaporator

Kind of Cube	Code
18 g. (Standard)	D10046
33 g.	D10089
13 g.	D10417
42 g.	D10465

### Ref. 8 - Compressor

Voltage	Code
T11	23985
T12	23494A
T13	231036

### Ref. 12\* - Hot Gas Valve Coil

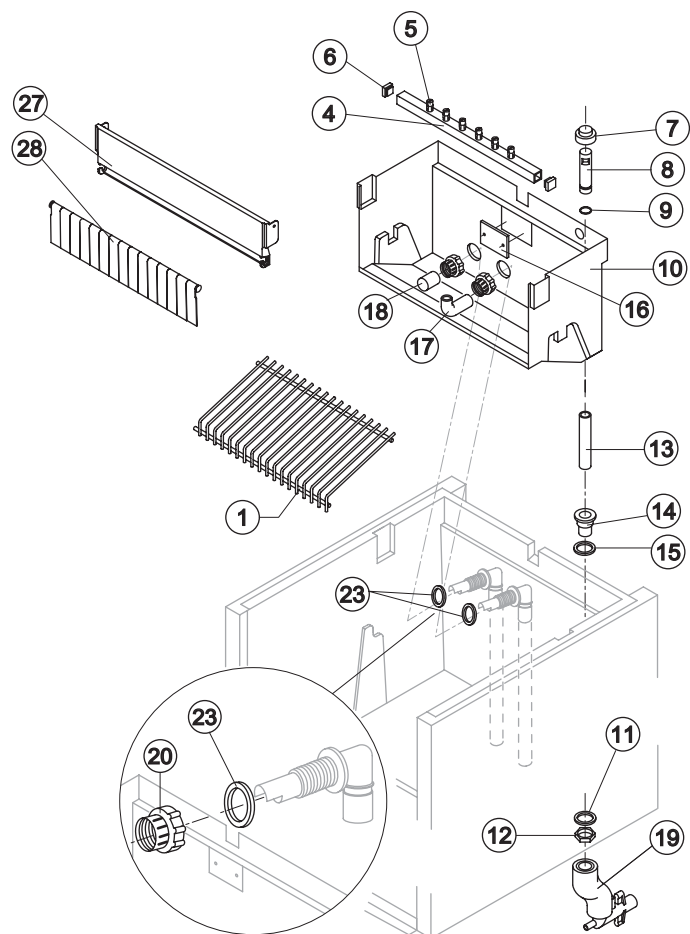
Voltage	Code
T11	231294
T12	231294
T13	23256



# CB 316

# HYDRAULIC CIRCUIT

## CB 316A / CB 316W



### Common Parts

Ref.	Spare Description	Code	
1	Ice Cubes Slide	See Table	
4*	Sprayers Bar Assy	See Table	
5	Sprayer	D20002	
6	Sprayers Bar Plug	10012	
7*	Overflow Cap	10305	
8*	Overflow Pipe	10133	
9*	OR Gasket for Overflow Pipe	20233	
10	Inner Basin	10253	
11	Semirigid Polyethylene Gasket	13007	
12	Bin Discharge Nut	10096	
13*	Overflow Pipe	13107	
14	Water Outlet Nipple	10472	
15	Silicone Gasket	13006	
16	Slide Keep Plate	10009	
17	Sprayers Feeding Pipe	13005	
18*	Pump Suction Filter	20005	
20	Fittings Locking Ring	10405	
23	Gasket of the Pump Suction/Delivery Pipes	13143	
27	Flags ABS Support	from s/n. 380249	10526
28	Rod with Flags	from s/n. 380249	C10534

### Ref. 1 - Ices Cube Slide

Kind of Cube	Code
18 g. (Standard)	D12008
33 g.	D12030
13 g.	D12038
42 g.	D12030

### Ref. 4\* - Sprayers Bar Ass.

Kind of Cube	Code
18 g. (Standard)	C20029
33 g.	C20155
13 g.	C20189
42 g.	C20155

### Parts for Air Cooled Version Only

Ref.	Spare Description	Code
19	Discharges Manifold	C10006

### Parts for Water Cooled Version Only

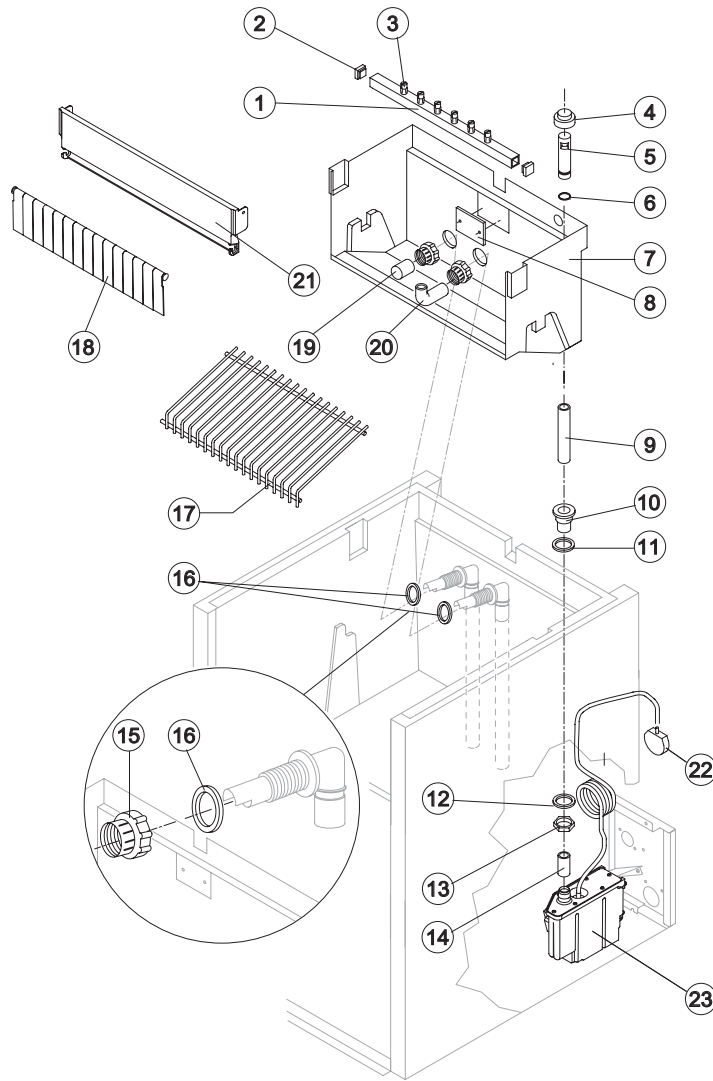
Ref.	Spare Description	Code
19	Discharges Manifold	C26452

Rev. 12 - 13/03/2018



# CB 316

## HYDRAULIC CIRCUIT CB 316A DP



Ref.	Spare Description	Code
1*	Sprayers Bar Assembly	See Table
2	Sprayers Bar Plug	10012
3	Sprayer	D20002
4*	Overflow Cap	10305
5*	Overflow Pipe	10133
6*	OR Gasket for Overflow Pipe	20233
7	Inner Basin	10253
8	Slide Keep Plate	10009
9*	Overflow Pipe	13107
10	Water Outlet Nipple	10472
11	Silicone Gasket	13006
12	Semirigid Polyethylene Gasket	13007
13	Bin Discharge Nut	10096
14	Bin Discharge-Drain Pump Connection	C13175100
15	Fittings Locking Ring	10405
16	Gasket of the Pump Suction/Delivery Pipes	13143
17	Ice Cubes Slide	See Table
18	Rod with Flags	C10534
19*	Pump Suction Filter	20005
20	Sprayers Feeding Pipe	13005
21	Flags ABS Support	10526
22	Drain Pump Pressure Switch	C231230
23	Drain Pump	C231225

### Ref. 1 - Ice Cube Slide

Kind of Cube	Code
18 g. (Standard)	D12008
13 g.	D12038

### Ref. 4\* - Sprayer Bar Assy

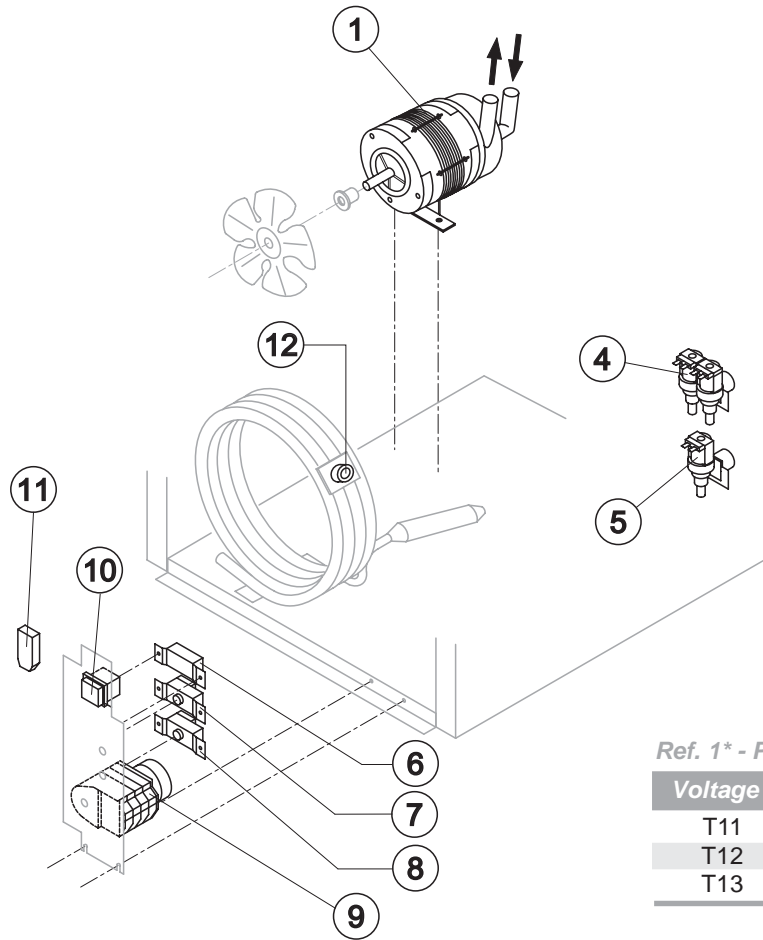
Kind of Cube	Code
18 g. (Standard)	C20029
13 g.	C20189



# CB 316

# ELECTRIC PARTS

## CB 316A / CB 316W / CB 316A DP



### Common Parts

Ref.	Spare Description	Code
1*	Pump Assy	See Table
7*	Bin Thermostat	R23005
8*	Evaporator Thermostat	R23591
9*	Timer	See Table
10*	Green Light Switch (On-Off)	23327

### Parts for Air-Cooled Version Only

Ref.	Spare Description	Code
5*	1 Way- Water Inlet Valve	See Table

### Parts for Water-Cooled Version Only

Ref.	Spare Description	Code
4*	2 Ways Water Inlet Valve	See Table
6*	Condenser Pressure Switch	See Table
11	Anti Radio Interference Filter	Only 220V/50-60Hz C23457
12*	Safety Thermostat	C23114

#### Ref. 1\* - Pump Assy

Voltage	Code
T11	C23377
T12	C23377
T13	C23663

#### Ref.4\*-2 Ways- Water Inlet Valve

Voltage	Code
T11	23116
T12	23116
T13	23592

#### Ref. 5\* - 1 Way- Water Inlet Valve

Voltage	Code
T11	23115
T12	23115
T13	23499

#### Ref. 6\* - Cond. Pressure Switch

Voltage	Code
T11	23175
T12	23175
T13	23175

#### Ref. 9\* - Timer

Voltage	18g Cube	33g Cube	13g Cube	42g Cube
T11	23222	23248	23247	23780
T12	231078	231080	231077	231080
T13	23833	23786	23258	23786