



FOOD-PROCESSOR K-52

Bowl capacity: 5.5 lt. 2-speed.



DYNAMIC PREPARATION
CUTTER-MIXERS & EMULSIFIERS



SPECIFICATIONS

Electrical connection: --
Bowl capacity: 5.5 l
Bowl dimensions: Ø240 mm x 150 mm
Total loading: 900-1500 W
Speed, min-max: 1500 rpm / 3000 rpm

External dimensions (WxDxH)

- ✓ Width: 286 mm
 - ✓ Depth: 387 mm
 - ✓ Height: 439 mm
- Net weight: 21.6 Kg

Crated dimensions

440 x 355 x 570 mm
Volume Packed: 0.09 m³
Gross weight: 24.5 Kg

AVAILABLE MODELS

1050832 Cutter K-52 400/50/3N

* Ask for special versions availability

SALES DESCRIPTION

To cut, grind, mix and knead any food in seconds.

Efficiency and performance

- ✓ Professional performance: large capacity.
- ✓ 2-speed.
- ✓ Top orifice in lid, to add liquids while the machine is in operation.
- ✓ "Cut&mix" mixer optional.

Built to last

- ✓ Robust construction of stainless steel and food-grade materials of the highest quality: stainless steel motor block with aluminium lid. Stainless steel hopper with highly-resistant polycarbonate lid.

Maximum comfort for the user

Waterproof control panel that is very intuitive to use.

Maintenance, safety, hygiene

- ✓ Safety microswitches on the hopper and lid position.
- ✓ Appliance certified by NSF International (regulations on hygiene, cleaning and materials suitable for contact with foods).
- ✓ 100% tested.

INCLUDES

- ✓ Set of serrated blades.

OPTIONAL

- "Cut&mix" scraper.
- Perforated blades.
- Smooth blades.

ACCESSORIES

- Blades for CK / K / KE
- "Cut&mix" scrapers CK / K / KE



product sheet
updated 17/11/2022

SAMMIC, S.L.
Bassano, 1 - 20720 Azzola
www.sammic.com

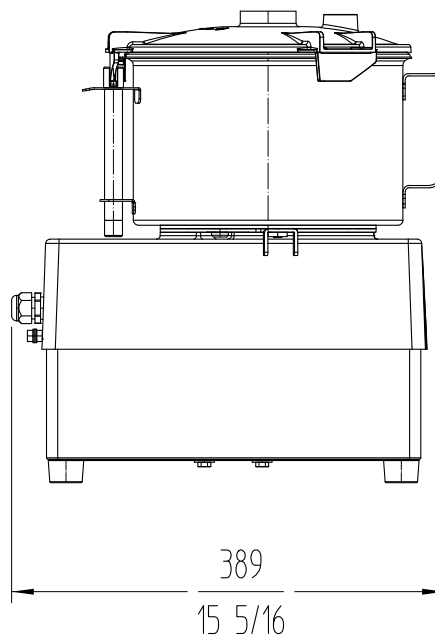
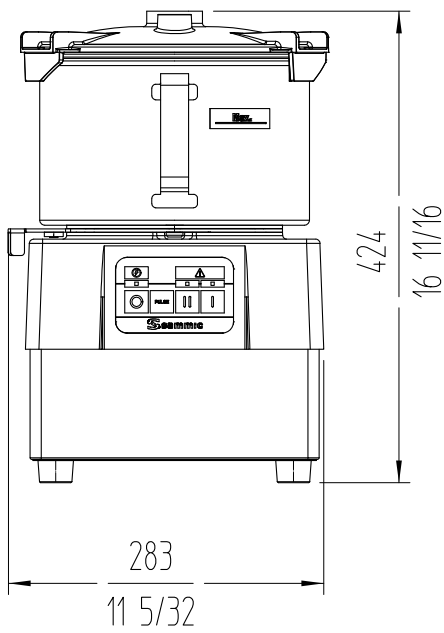


FOOD-PROCESSOR K-52

Bowl capacity: 5.5 lt. 2-speed.



DYNAMIC PREPARATION
CUTTER-MIXERS & EMULSIFIERS



 **sammic** | www.sammic.com
Food Service Equipment Manufacturer

Polígono Basarte, 1. phone +34 943 15 72 36
20720 Azkoitia, Spain sales@sammic.com



Project	Date
Item	Qty
Approved	

product sheet
updated 17/11/2022