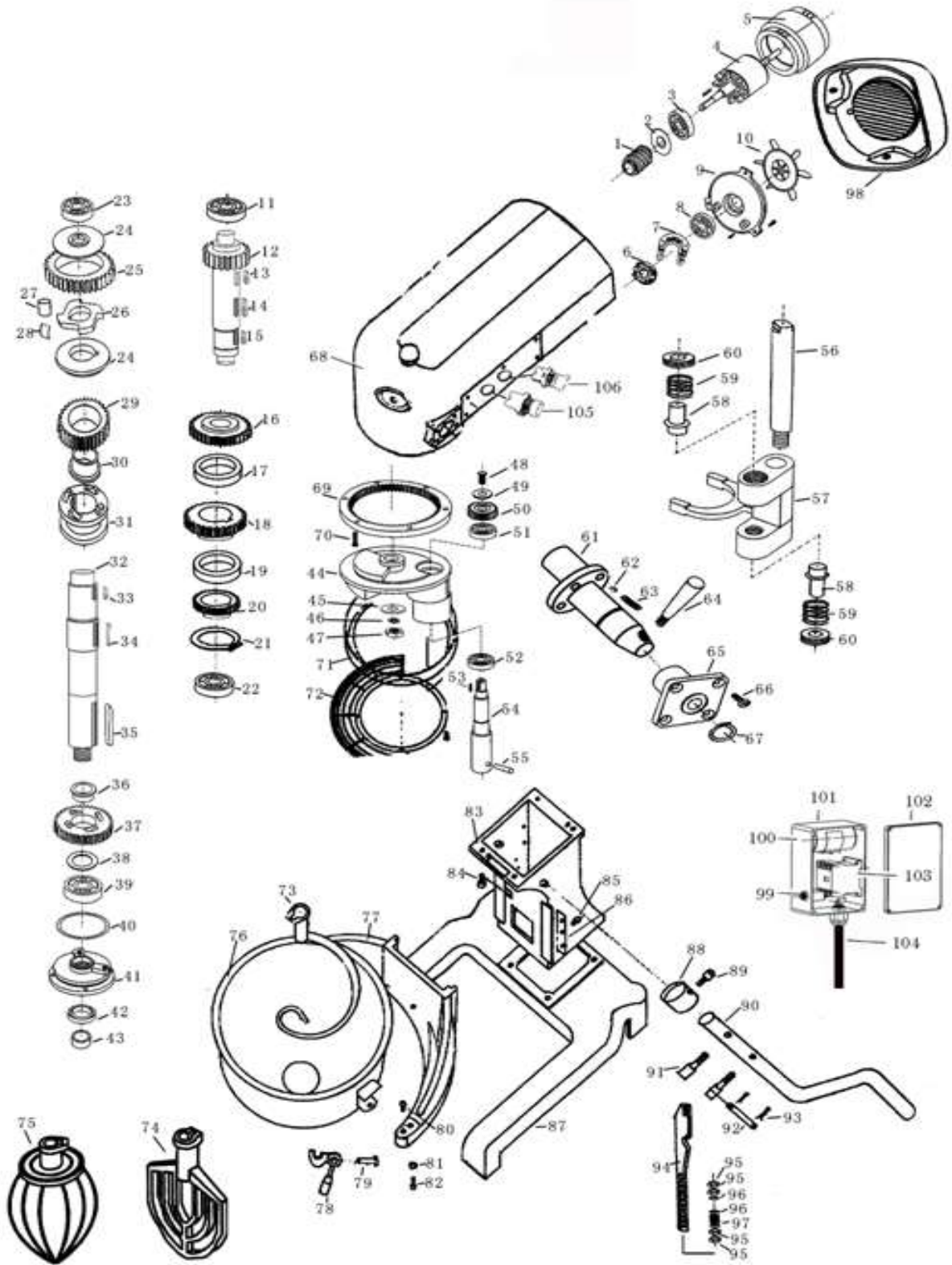


МИКСЕР ПЛАНЕТАРНЫЙ HURAKAN HKN-IP10F


**МИКСЕР ПЛАНЕТАРНЫЙ HURAKAN HKN-IP10F**

Поз	Наименование детали		
1	worm bar	63	spring stalls
2	ring seal	64	Variable speed controller handle
3	axle bearing	65	Transmission Block
4	rotor	66	screw
5	motor stator	67	axis with snap spring
6	centrifugal starter	68	column
7	screw m4*10	69	Within the ring gear
8	axle bearing	70	screw
9	axle bearing seat	71	Protection Net Block
10	fan blade	72	Protection Net
11	bearing	73	hook
12	input shaft	74	bat
13	flat key	75	whisk
14	flat key	76	charging basket
15	flat key	77	charging basket block
16	input shaft gear	78	pressing handle
17	input shaft sleeve	79	pressing handle inner jacket
18	worm gear	80	charging basket locating pin
19	washer	81	spring swasher
20	under gear	82	nut
21	axis with snap spring	83	colum
22	bearing	84	screw
23	bearing	85	Outside the hexagon screw
24	ratchet plate	86	pressure plate
25	Outer Ring	87	base
26	Inside the star wheels	88	fixed sleeve
27	Roller	89	screw
28	Roller Spring	90	joystick
29	clutch gear up	91	lifter screw
30	output shaft gear sets	92	pin bolt
31	output shaft clutch	93	cotter pin
32	central shaft	94	drag bar
33	flat key	95	nut
34	flat key	96	increase the level pad
35	flat key	97	compression spring
36	output shaft gear sets	98	back air hood
37	clutch gear	99	overload protection
38	gear ring	100	capacitor
39	bearing	101	electric box
40	o-ring	102	electric box cover
41	bearing block	103	A.C contactor
42	oil seal	104	power wire
43	seal sleeve	105	start switch
44	swivel base	106	stop switch
45	flat pad		
46	spring washer		
47	nut		
48	Outside the hexagon screw		
49	increase the plain washer		
50	planet gear		
51	bearing		
52	bearing		
53	falt key		
54	planet bearing		
55	taper bolt		
56	fork guide bar		
57	fork		
58	fork with top-selling		
59	fork with spring		
60	fork with nut		
61	speed core		
62	steel ball		