

**Apach**  
COOK *line*

Viale Europa, 24 - 37045 S.PIETRO DI LEGNAGO (VR) - ITALY

**EAC**

**SPARE PARTS CATALOGUE  
ERSATZTEILKATALOG  
CATALOGUE PIECES DETACHEES  
CATALOGO PARTI RICAMBIO  
CATALOGO DE PIEZAS DE RECAMBIO  
CATALOGO PECAS, DE REPOSICAO**

Catalogo parti di ricambio valido  
dalla matricola 4345557 ad oggi (19/08/2020)

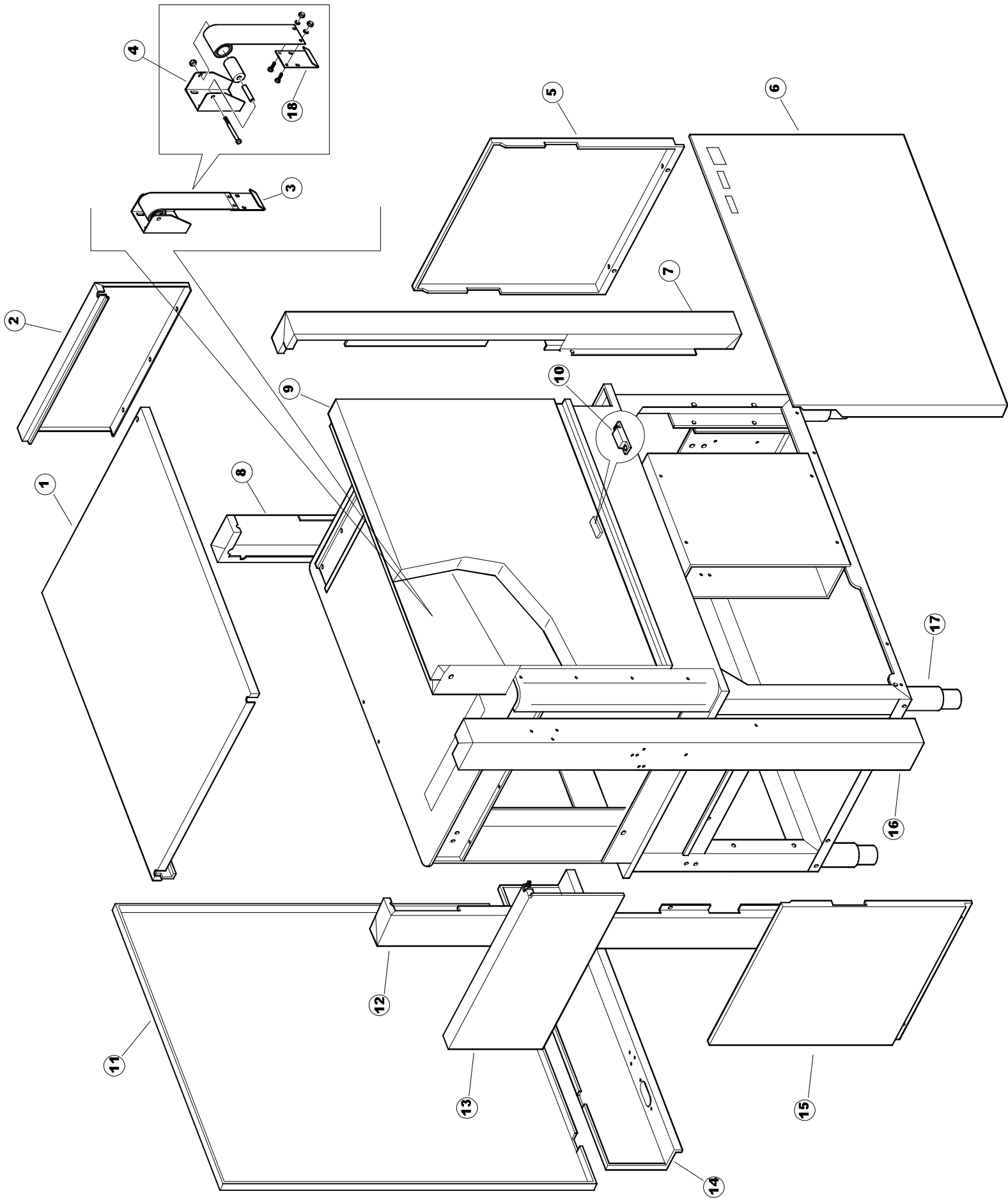
Catalogue pieces detachees  
du numero de Série n. 4345557 jusqu'à aujourd'hui (19/08/2020)

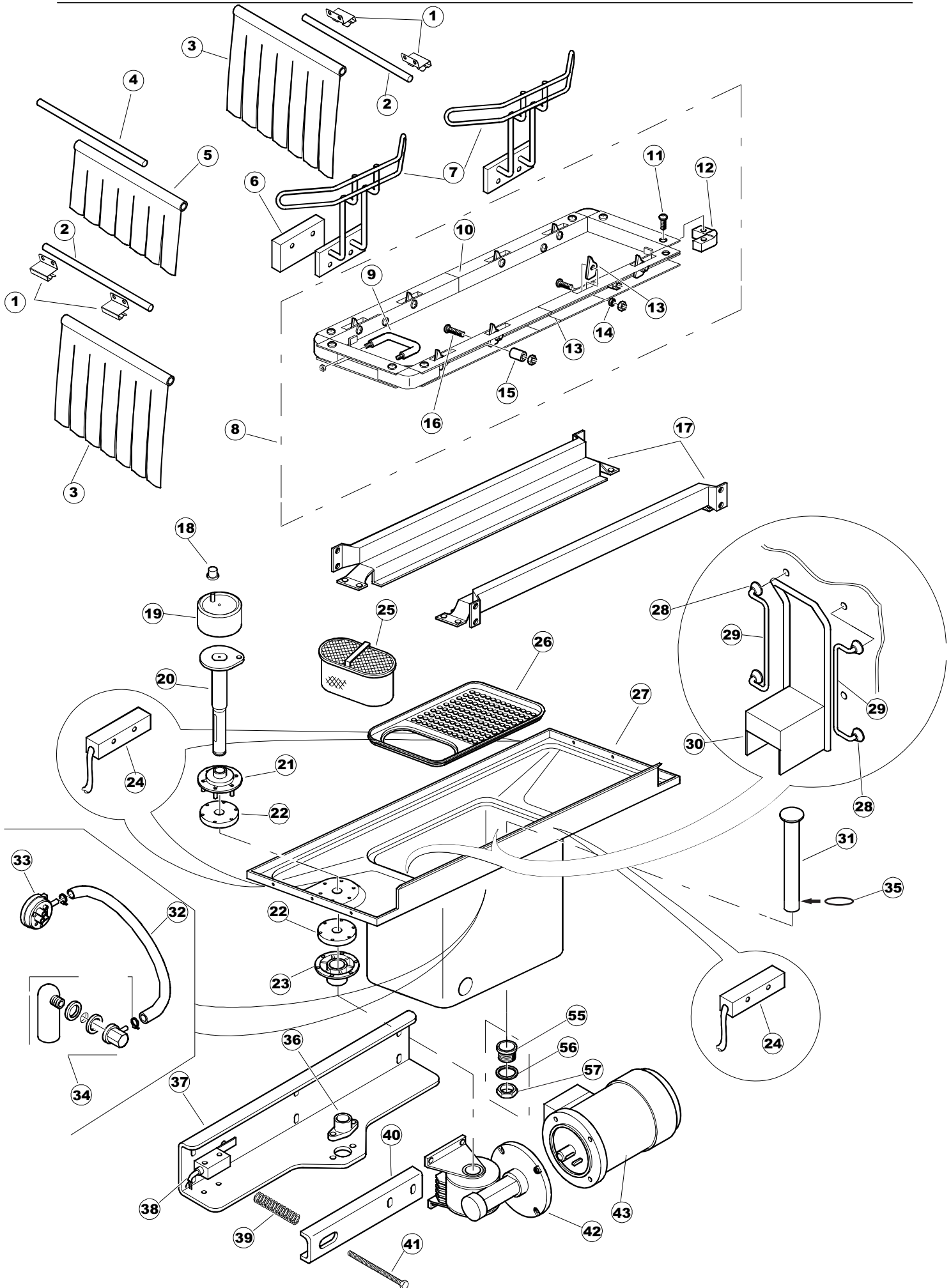
Ersatzteilkatalog  
gültig ab Serien-Nr. 4345557 bis heute (19/08/2020)

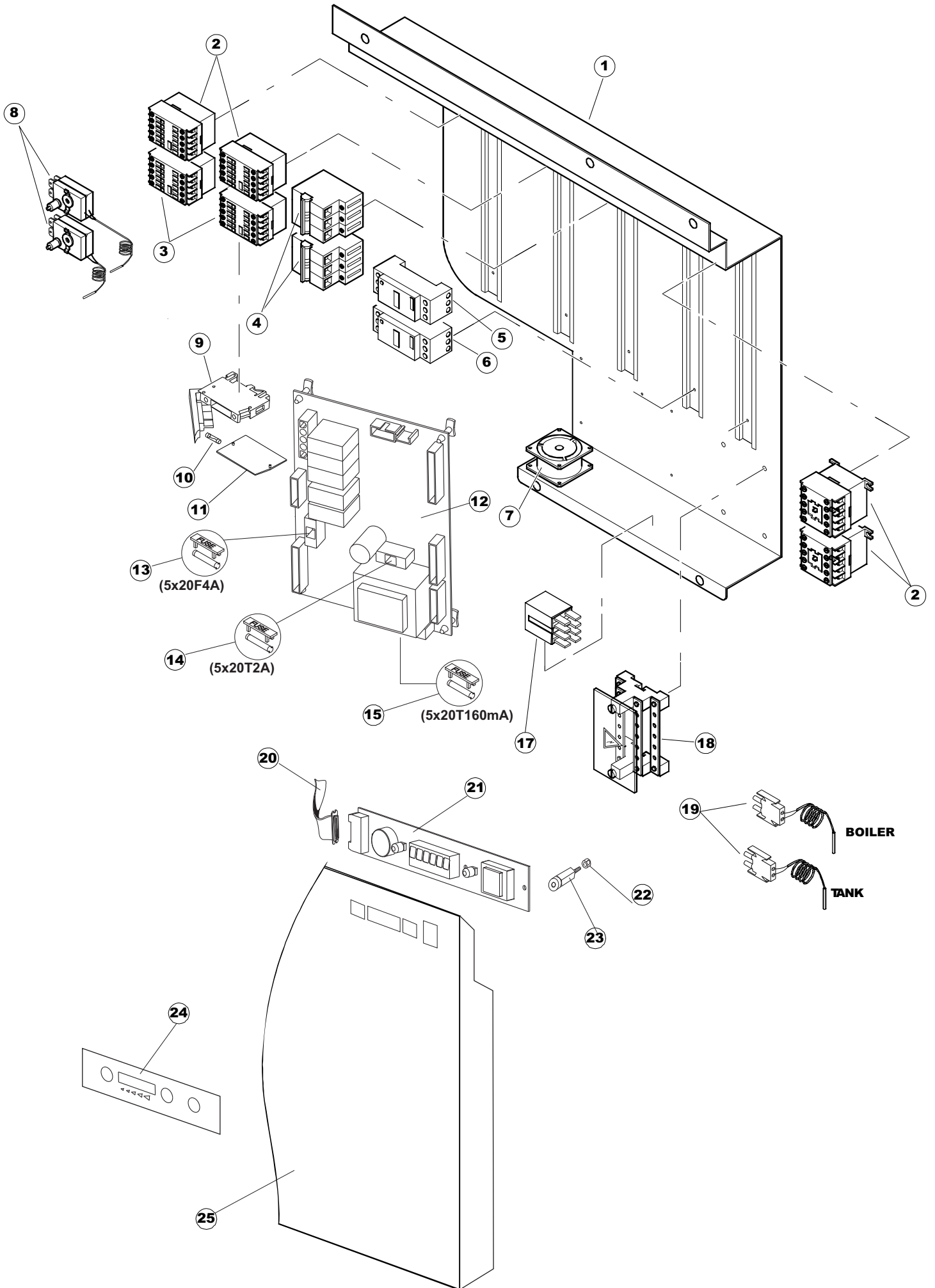
Spare parts catalogue  
valid from serial no. 4345557 up today (19/08/2020)

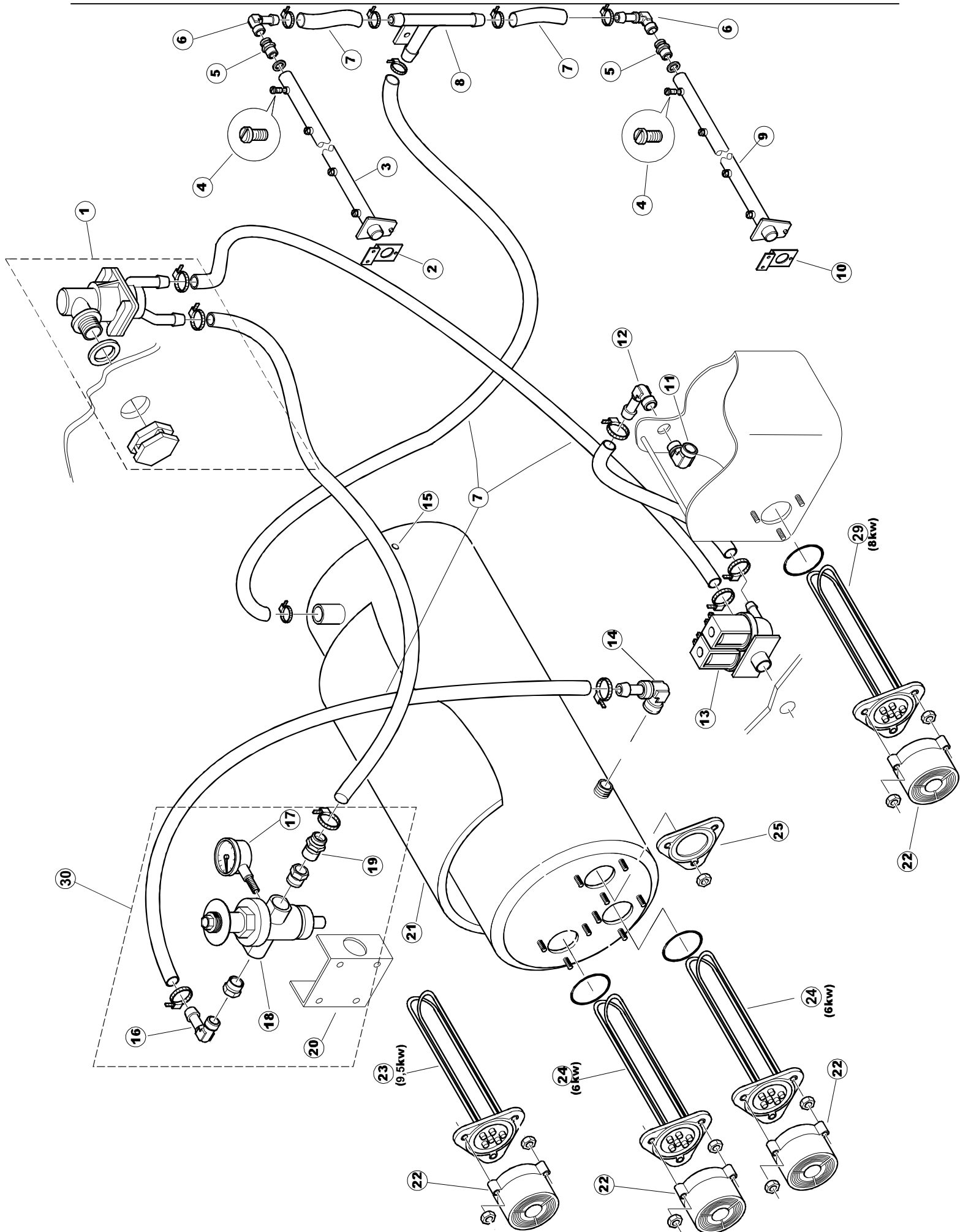
Catálogo de peças de reposição  
válido do número de série 4345557 até hoje (19/08/2020)

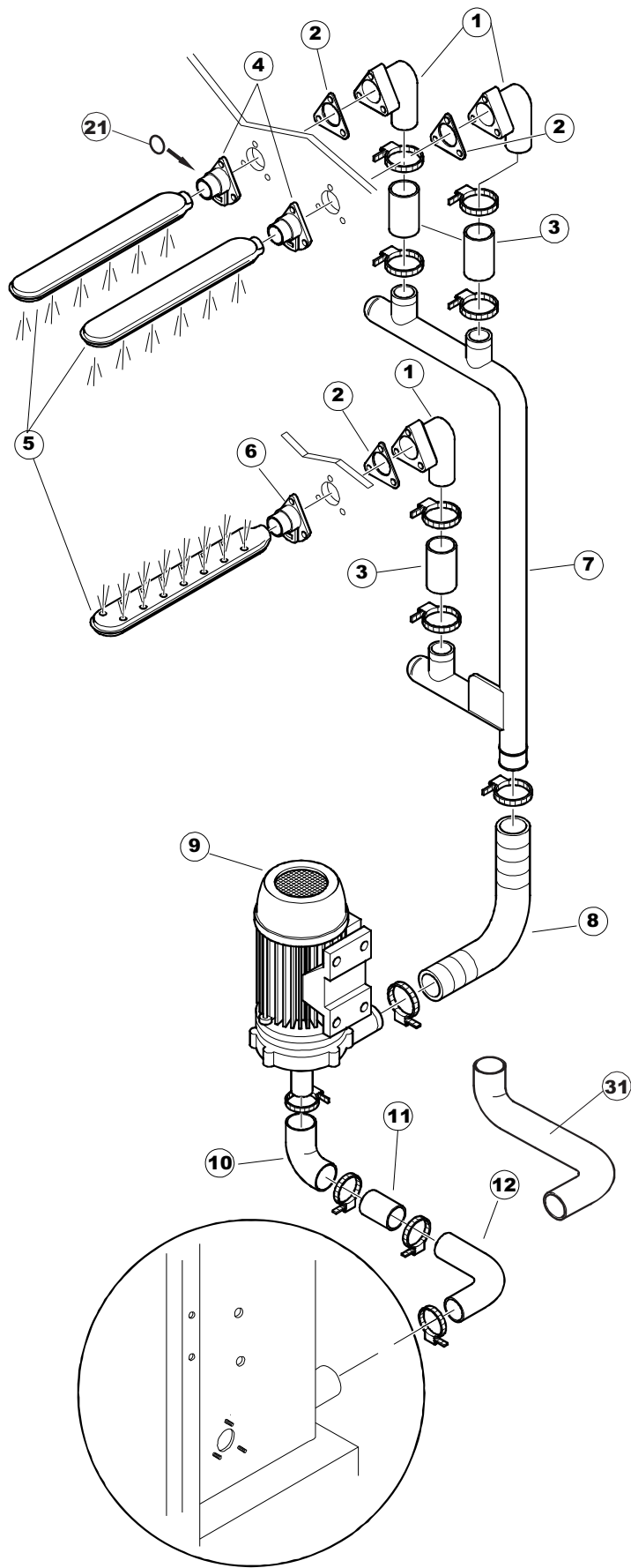
**ARC100**

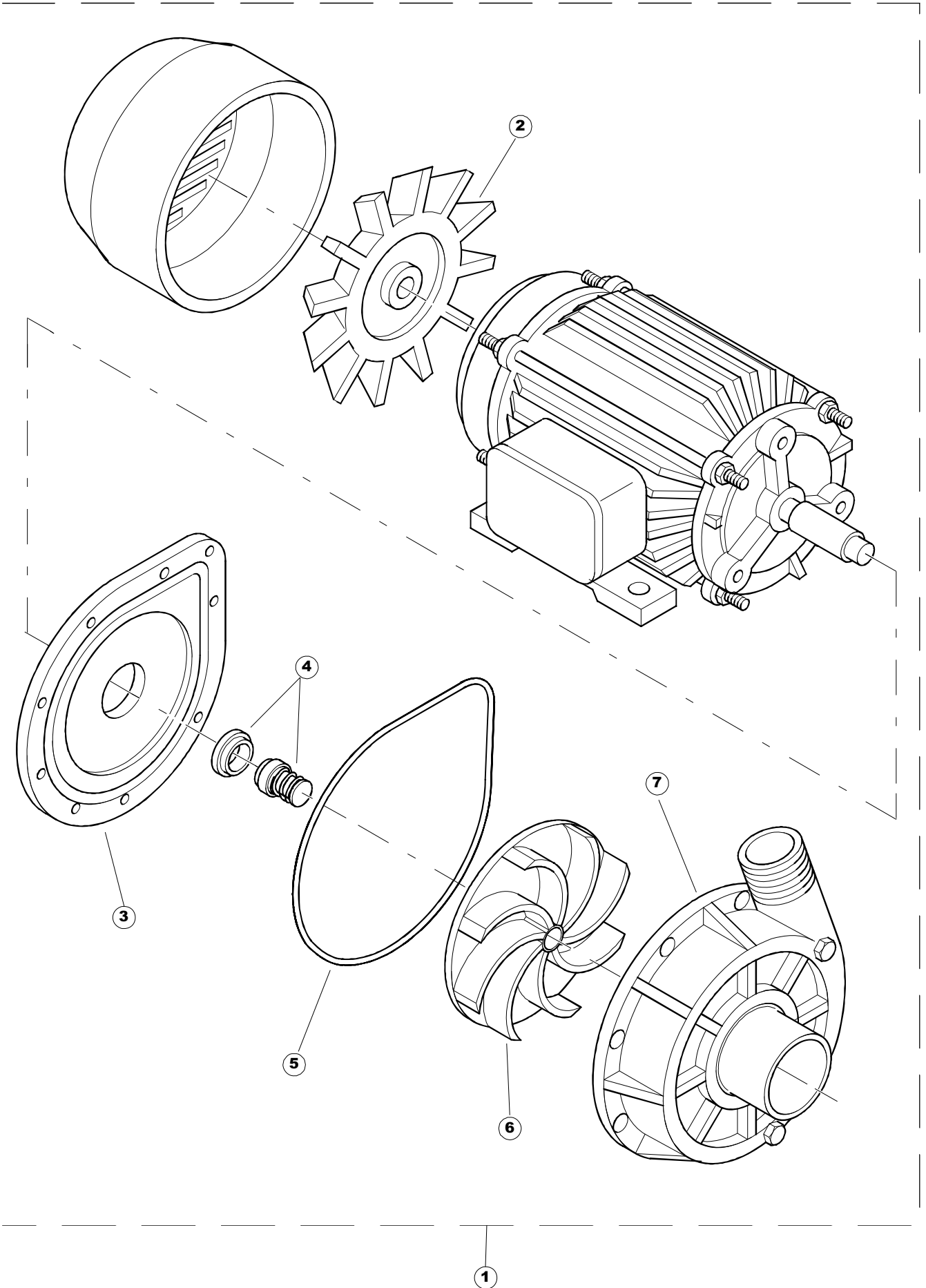












(\*) Recommended spare part.

Page	Spare part position	Spare part code no.	Old code number	Description	U.m.
1	1	75050		TOP PANEL	NR
1	2	75035		FRONT PANEL	NR
1	3	65654		DOOR SPRING KIT	NR
1	4	75225		SCATOLA SUPPORTO MOLLE SPORT. PG FINITO	NR
1	5	65054		SIDE PANEL	NR
1	6	75654		FRONT PANEL	NR
1	7	75039		CORNER FRONT RIGHT PANEL	NR
1	8	75040		CORNER FRONT RIGHT PANEL	NR
1	9	75082		RACK CONVEYOR DOOR	NR
1	10	926014	CWM8	MAGNET 8X16X40 AND HOUSING FOR DEM 201	NR
1	11	75244		BACK PANEL	NR
1	12	75041		CORNER REAR LEFT PANEL	NR
1	13	75035		FRONT PANEL	NR
1	14	75043		NOT IN PRICE-LIST	
1	15	65054		SIDE PANEL	NR
1	16	75038		CORNER REAR LEFT PANEL	NR
1	17	73100		FOOT	NR
1	18	75226		DOOR SAFETY HOOK FOR RACK-CONVEYOR	NR
2	1	75586		CURTAIN SUPPORTING BRACKET	NR
2	2	75121		CURTAIN SUPPORT FOR RACK-CONVEYOR DISH-	NR
2	3	75120		CURTAIN	NR
2	4	75124		CURTAIN SUPPORT FOR RACK-CONVEYOR DISH-	NR
2	5	75123		CURTAIN	NR
2	6	927088	CWM7	MAGNET FOR HOOD MICROSWITCH	NR
2	7	75095		OPERATED RINSING LEVER	NR
2	8	75869		RACK CONVEYOR	NR
2	9	75073		RACK CONVEYOR HANDLE	NR
2	10	75868		TOWING RACK	NR
2	11	486169	REB486169	STAINLESS STEEL SCREW 4MAX10 TBCR-SP	NR
2	12	75075		SLED CART TOWING	NR
2	13	75071		RACK CONVEYOR COG	NR
2	14	75077		BUSH	NR



(\*) Recommended spare part.

Page	Spare part position	Spare part code no.	Old code number	Description	U.m.
2	15	75076		BUFFER FOR DRIVE STOP	NR
2	16	75310		SCREW	NR
2	17	75024		COMPLETE RACK TRACK SLIDE	NR
2	18	75058		WASHER	NR
2	19	K75649		KIT PROTECTIVE PLATE OF SPLASHING WATER	NR
2	20	75235		GEAR SHAFT CONVEYOR	NR
2	21	K75141		UPPER FLANGE SHAFT CONVEYOR	NR
2	22	75168		GASKET	NR
2	23	K75057		LOWER BUSH & SEAL	NR
2	24	80871		MAGNETIC DOOR SWITCH	NR
2	25	75429		COLLECTING FILTER WITH WEIGHT	NR
2	26	75515		STAINER	NR
2	28	472061		WASHER	NR
2	29	42092	C.42092	ASPIRATION FILTER SLIDE	NR
2	30	75661		PUMP ASPIRATION FILTER	NR
2	31	75864		OVERFLOW PIPE	NR
2	32	143005	SPG10	LINEN RUBBER PIPE 5X12 - BLACK	MT
2	33	926049	DEP45	PRESSURE SWITCH	NR
2	34	984005	REB984005	AIR TRAP, ASSY	NR
2	35	CGR4131NT		O-RING	NR
2	36	75142		BOTTOM FLANGE SHAFT CONVEYOR	NR
2	37	75217		BRACKET	NR
2	38	927246	DEM11NT	MICROSWITCH	NR
2	39	CMT13		SPRING	NR
2	40	75218		SUPPORT BRACKET	NR
2	41	60354		SCREW	NR
2	42	927102	DPR15	GEARMOTOR MVF-49A 1/60	NR
2	43	927104	DPM120	MOTOR 180W V 230/400	NR
2	55	75871		DRAIN CONNECTION	NR
2	56	75873		GASKET	NR
2	57	75872		NUT WASTE DRAIN	NR
3	1	75182		PANEL FOR ELECTRICAL COMPONENTS	NR

(\*) Recommended spare part.

Page	Spare part position	Spare part code no.	Old code number	Description	U.m.
3	2	73350		CONTACTOR	NR
3	3	73351		CONTACTOR	NR
3	4	927038	DEP2F	FUSE-HOLDER - TRIPOLAR GK1-DF	NR
3	5	DEI35N		AUTOMATIC SWITCH	NR
3	6	DEI40N		AUTOMATIC SWITCH	NR
3	7	77044		FAN	NR
3	8	927057		THERMOSTAT	NR
3	9	H.228048		PLUG	NR
3	10	228004		FUSE	NR
3	11	H.228047		FUSE-HOLDER	NR
3	12	215032-1		MAIN BOARD	NR
3	13	228004		FUSE	NR
3	14	228011		FUSE	NR
3	15	228012		FUSE	NR
3	17	929115	DER1108	RELAY 16A 230V	NR
3	18	75983		TERMINAL BLOCK	NR
3	19	231016		TEMPERATURE PROBE	NR
3	20	80934		FLAT CABLE	NR
3	21	227083		PUSH BUTTONS BOARD	NR
3	22	417119		NUT	NR
3	23	419036		INTERFACE BOARD DISTANCE KEEPERS	NR
3	24	75834		CONTROL ADHESIVE INTERFACE	NR
3	25	75654		FRONT PANEL	NR
4	1	144010	REB144010	NON RETURN VALVE	NR
4	2	75131		SUPPORT BRACKET	NR
4	3	75115		RINSE ARM	NR
4	4	75133		STAINLESS STEEL RINSE SPRAY NOZZLE	NR
4	5	75401		PIPE FITTING	NR
4	6	77904		HOSE CONNECTOR	NR
4	7	143010	SPG61	RUBBER PIPE 12X19,5	MT
4	8	H.882974-001		MAINFOLD	NR
4	9	75125		LOWER RINSE ARM	NR

(\*) Recommended spare part.

Page	Spare part position	Spare part code no.	Old code number	Description	U.m.
4	10	75129		SUPPORT BRACKET	NR
4	11	65876		UNION ELBOW 3/8" AISI316	NR
4	12	929163	DZR2622	BRASS RUBBER-PIPE HOLDER CONNECTION 3/8	NR
4	13	929172		SOLENOID VALVE	NR
4	14	65018		PIPE FITTING	NR
4	15	K75625		BOILER AISI304 (17LT)	NR
4	16	929163	DZR2622	BRASS RUBBER-PIPE HOLDER CONNECTION 3/8	NR
4	17	75998		MANOMETER	NR
4	18	927150	UAA6	PRESSURE REDUCER 1/2"	NR
4	19	927015	DZR263	BRASS CONNECTION 3/8- RUBBER PIPE HOLDER	NR
4	20	75283		SUPPORT BRACKET	NR
4	21	65245		COVER INSULATION	NR
4	22	69870		BOILER HEATING ELEMENT PROTECTION	NR
4	23	80398C	C.80398C	READY-TO-ASSEMBLE KIT FOR HEATING	NR
4	24	230083C	REB230083C	HEATING ELEMENT 6KW	NR
4	25	926053	DWT100	CLOSED FLANGE CAP (170880543)	NR
4	29	230020C	REB230020C	KIT HEATING ELEMENTS REB230020 (8KW)	NR
4	30	75977		KIT PRESSURE REDUCER	NR
5	1	75155		PIPE FITTING	NR
5	2	437050	REB437050	GASKET	NR
5	3	75154		DELIVERY WASH HOSE	NR
5	4	75645		CONNECTING ARM	NR
5	5	75616		COMPLETE WASH ARM	NR
5	6	75648		CONNECTING ARM	NR
5	7	75165		SLEEVE	NR
5	8	80187	C.80187	DELIVERY WASH HOSE	NR
5	9	75175		WASHPUMP	NR
5	10	926056	DZG461	PIPE ELBOW	NR
5	11	42028		SUCTION PIPE	NR
5	12	929164	DZG60	PIPE ELBOW	NR
5	21	CGR4131NT		O-RING	NR
5	31	75189		DELIVERY WASH HOSE	NR

(\*) Recommended spare part.

Page	Spare part position	Spare part code no.	Old code number	Description	U.m.
6	1	75175		WASHPUMP	NR
6	2	335003	REB335003	WASHPUMP FUN	NR
6	3	80880		FLANGE	NR
6	4	141002	REB141002	WASH PUMP SHAFT SEAL FOR GLASSWASHER	NR
6	5	456023		O-RING	NR
6	6	80881		ELECTROPUMP IMPELLER	NR
6	7	80882		ELECTROPUMP HOUSING	NR