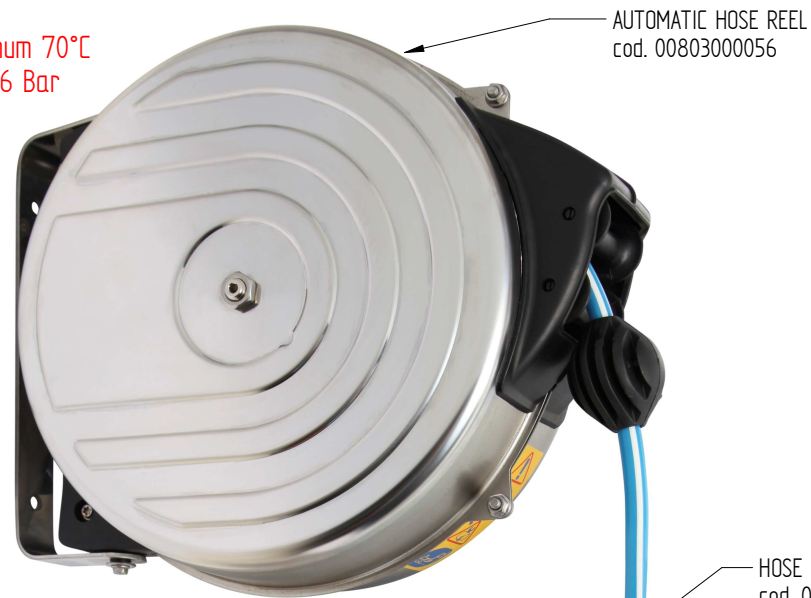


TECHNICAL SPECIFICATIONS HOSE REEL WITHOUT SHOWER :

Hose lenght in meters	15 m
Maximum Working pressure	maximum 20 bar Air - maximum 10 bar Water
Maximum Working temperature	maximum 25°C Air - maximum 70°C Water
Weight	5,7 Kg
Can be used to transfer	Air-Water

SHOWER :
Working temperature : maximum 70°C
Working pressure : maximum 6 Bar



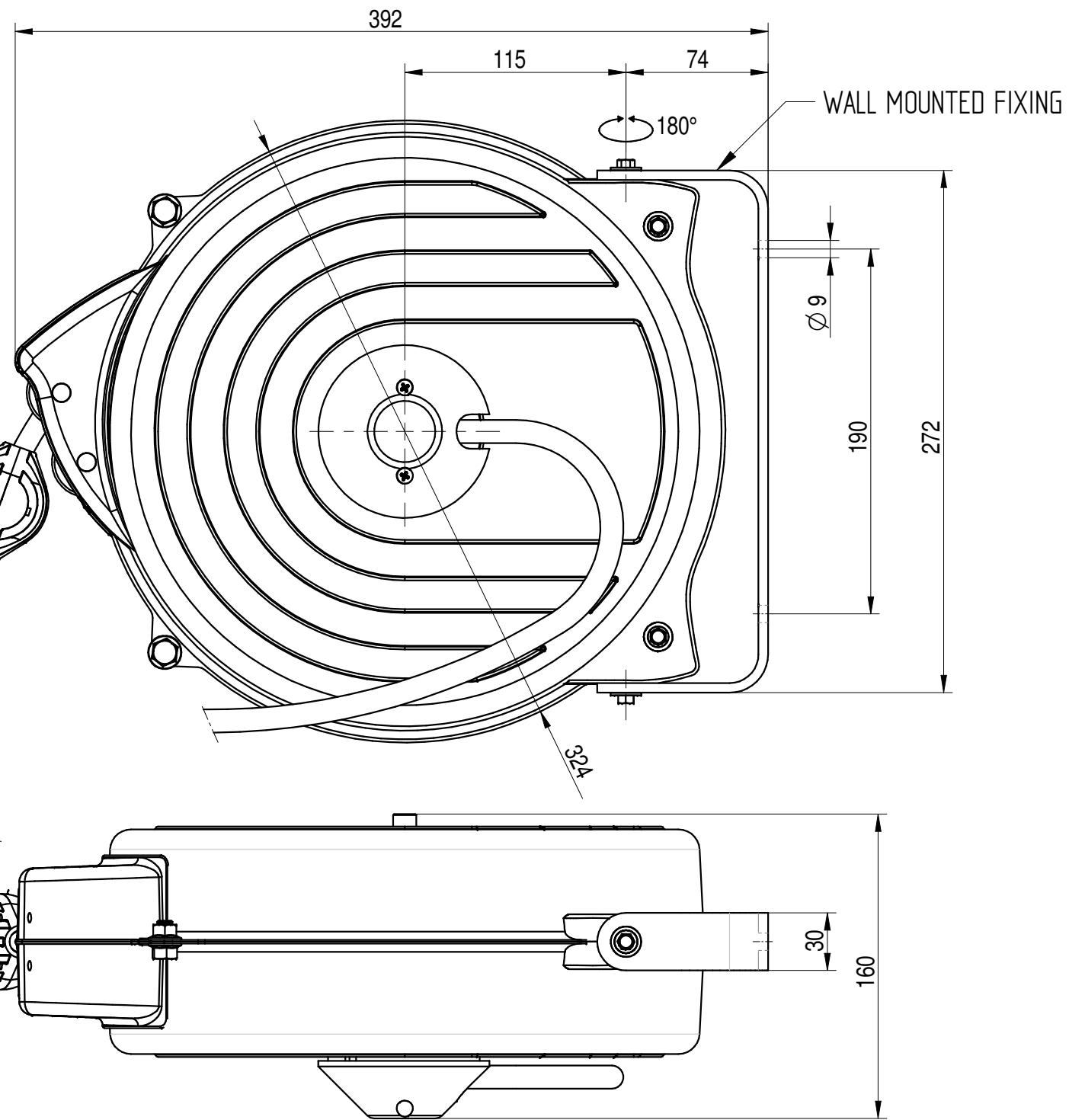
HOSE LENGHT 15m - ø8x12
cod. 00403000057

F G1/4" - M G1/2" FITTING
cod. 00406000129

G 1/2

SHOWER
cod. 00502000005

SCALE 1:5



Shares without tolerance according to standard UNI-EN-22768-1-m		DESCRIPTION	CODE
SIZE	 European Projection	WALL MOUNTED COVERED HOSE REEL L=15m AND SHOWER	SR000000018A
A3			WEIGHT
DATE	SCALE	 DESIGN AND TECHNOLOGICAL RESEARCH FOR WATER	6,2 Kg
05-11-2018	13		
DRAWN	PICCOLO M.		
VALIDATE	PICCOLO M.	VIA DELL'ARTIGIANO 8/F-8-G , 31050 MONASTIER di TREVISO (TV) tel: 0422 842157 - fax: 0422 708978	
DONE WITH DESIGN CAD - PROHIBITED THE CHANGES MANUAL			