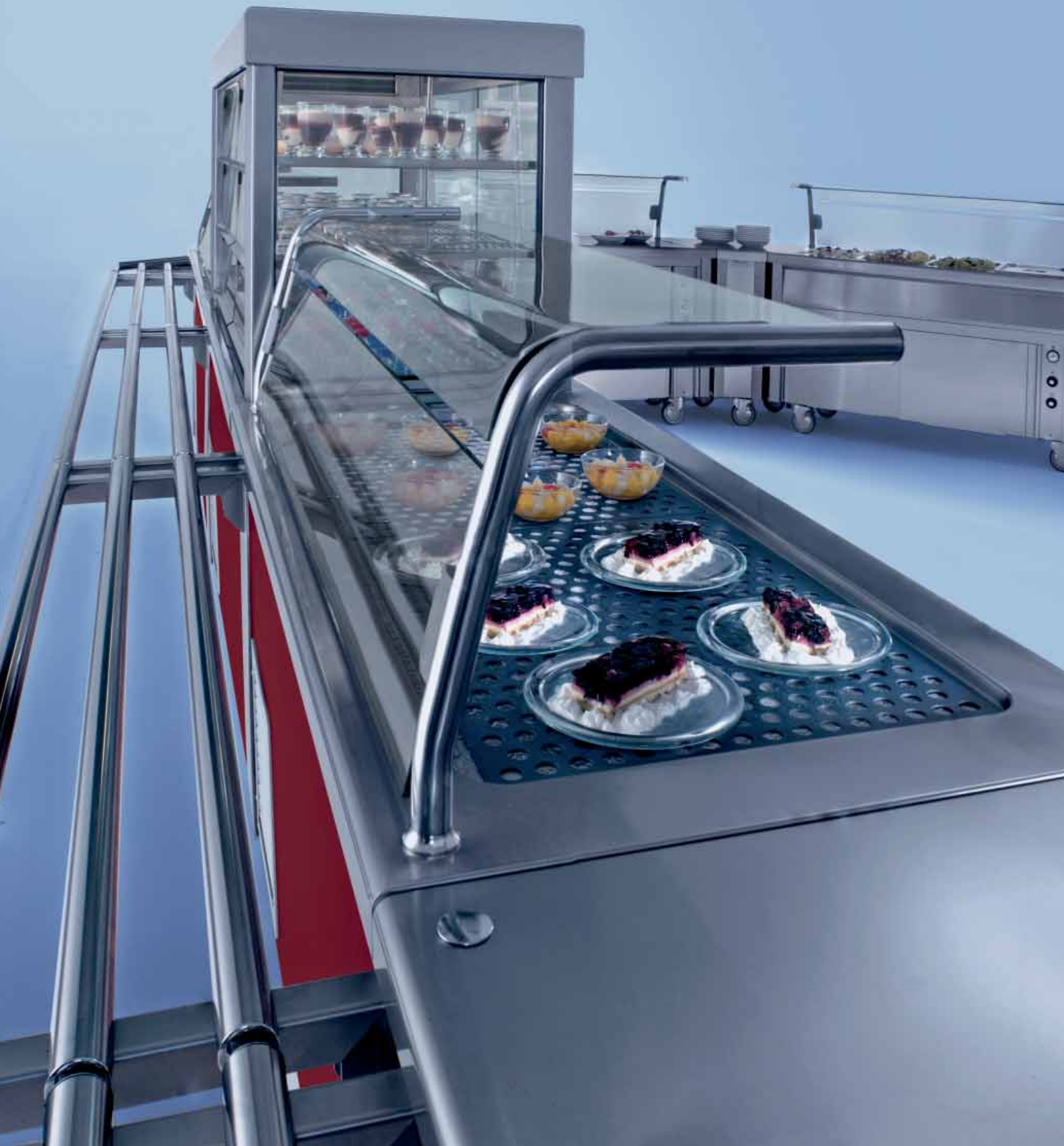


SELF 700



**EMAINOX**  
PROFESSIONAL FURNISHING SYSTEMS





# SELF 700 THE CHOICE



## ◆ When flexibility matters

Self 700 includes a series of modular elements mounted on wheels that can easily be placed side-by-side. They can be positioned individually as islands or joined in line.

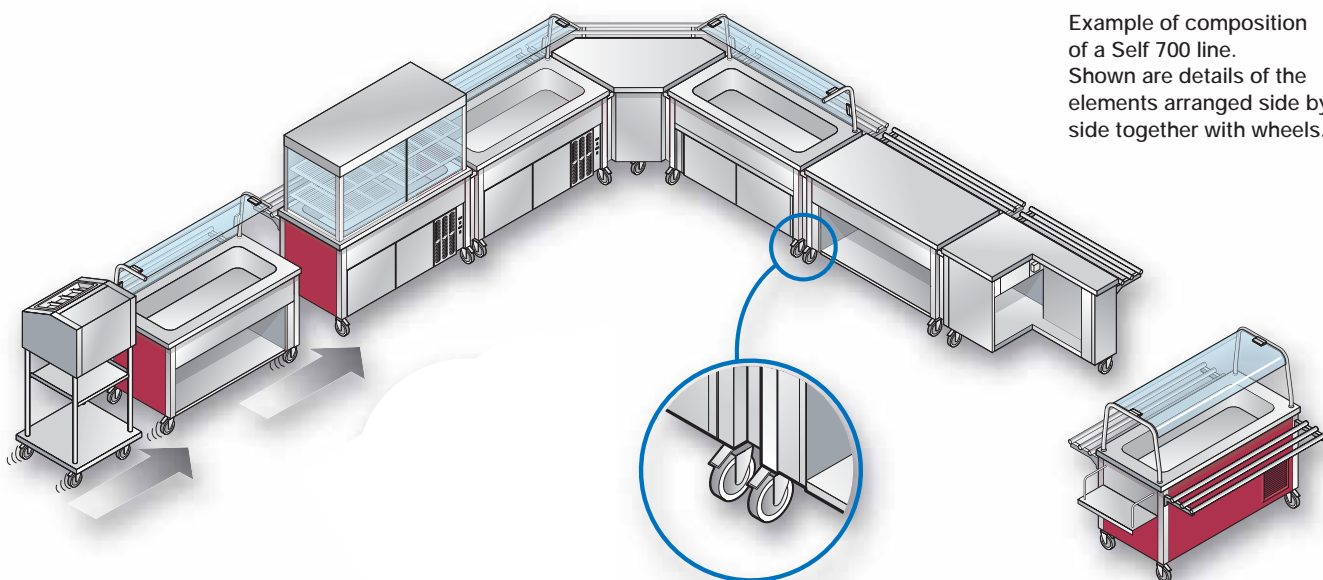
The practicality of joining and separating the various modules lets you use Self 700 also in all those cases when it is necessary to optimize the composition of the line by frequently varying the arrangement of the elements.

A wide range of practical accessories completes the Self 700 line and offers the best response to meet all of your needs for functionality and ergonomics.

Technology, aesthetics, and construction in stainless steel 18/10 ensure a high-quality product that is extremely reliable and is produced with close attention to details, in line with the finest standards of EMANOX.

## • Self 700 line, "Kinder" version

This is the line with a reduced height (800 mm). It supports a wide range of elements and accessories of the standard series. It is the optimal solution when the users are children. Perfect for elementary and junior high school cafeterias.



Example of composition of a Self 700 line. Shown are details of the elements arranged side by side together with wheels.







# SELF 700 TECHNICAL CHARACTERISTICS



## ◆ The range

The Self 700 range of elements is divided into three main groups based on their intended use:

- Heated elements (page 6/9);
- Refrigerated elements (page 10/13);
- Neutral elements (page 14/17).

A wide choice of accessory components (page 18/21) lets you find the right response to any functional or aesthetic need.

The examples of composition illustrate some of the numerous possible uses (page 22/23).

## ◆ Main technical characteristics

- Free-flow with self-supporting structures, with the possibility to join simply by placing the modules alongside one another, or to fasten them in line using the joining and connecting accessories.
- Movement on wheels for all elements.
- Construction in stainless steel 18/10, AISI 304.
- Depth of shelves: 700 mm.
- Fixed or tilt tray slide.
- Sliding doors on heated or neutral elements, hinged doors on refrigerated elements.
- Wells with rounded corners with removable overflow drain.
- Digital control of all refrigerated elements.
- Standard red panelling, customizable on request.



# SELF 700 HEATED ELEMENTS



Our bain-marie and pyroceram elements keep your dishes at the right temperature. The heated cabinets, suitable for holding plates, are equipped with a separate heating system and controlled by an independent thermostat. All of this with the usual reliability of EMAINOX and in compliance with current regulations.

## ◆ Bain-marie

- With wells of 2-3-4-6 GN 1/1 on an open compartment.
- With wells of 2-3-4-6 GN 1/1 on a neutral cabinet with sliding doors.
- With wells of 2-3-4-6 GN 1/1 on a ventilated heated cabinet with sliding doors.

## ◆ Heated top in pyroceram

- On open compartment.
- On ventilated heated cabinet with sliding doors.

Bain-marie element on open compartment



Element with heated top in pyroceram on open compartment



Bain-marie element on cabinet with sliding doors



Element with heated top in pyroceram on cabinet with sliding doors



Dimensions of bain-marie elements:  
Lengths 800 / 1,200 / 1,500 / 2,300 mm  
Height 900 mm  
Depth 700 mm

Dimensions of elements with heated top:  
Lengths 800 / 1,200 / 1,500 mm  
Height 900 mm  
Depth 700 mm





# SELF 700 HEATED ELEMENTS



Details:  
interior of heated cabinet and heated  
tops in pyroceram



Bain-marie element  
with well 6 GN 1/1

Units with  
pyroceram  
cooktop



# SELF 700

## REFRIGERATED ELEMENTS



Static refrigeration of tops and wells, the use of ventilated evaporators in the display cases and in the cabinets. All this to ensure the highest level of technology in the various applications. EMAINOX is proud to place its 20 years of experience at the client's service.

### ◆ Refrigerated cabinet

- With wells of 2-3-4-6 GN 1/1 on an open compartment.
- With wells of 4-6 GN 1/1 on a neutral cabinet with hinged doors.

### ◆ Refrigerated top

- On open compartment.
- On refrigerated cabinet with hinged doors.

### ◆ Built-in refrigerated display case

- On open compartment with refrigerated well 4-6 GN 1/1 or refrigerated top.
- On refrigerated cabinet with hinged doors, with refrigerated well 4-6 GN 1/1 or refrigerated top.

### ◆ Independently refrigerated display case

- Without bottom surface.
- With bottom surface.



Element with refrigerated well on open compartment



Element with refrigerated top on open compartment



Element with refrigerated well on cabinet with hinged doors



Element with refrigerated top on cabinet with hinged doors



Dimensions of elements with refrigerated well:  
Lengths 800 / 1,200 / 1,500 / 2,300 mm  
Height 900 mm  
Depth 700 mm

Dimensions of elements with refrigerated top:  
Lengths 1,200 / 1,500 / 2,300 mm  
Height 900 mm  
Depth 700 mm



Independently refrigerated display case



# SELF 700

## REFRIGERATED ELEMENTS

Dimensions of display case  
refrigerated independently:  
Lengths 1,500 / 2,300 mm  
Height 1,150 mm  
Depth 700 mm



Built-in refrigerated display case



Dimensions of refrigerated display case built  
into open compartment or on refrigerated cabinet:  
Lengths 1,500 / 2,300 mm  
Height 1,620 mm  
Depth 700 mm



# SELF 700

## NEUTRAL ELEMENTS



Cabinets, cash registers, corner and support elements: the breadth of the range lets you find the right solution for your needs.

Always in compliance with the high quality standards of EMAINOX.

### ◆ Bases

- Open.
- With cabinet with sliding doors.

### ◆ Cash registers

- Middle, right, or left, equipped with drawer with key and lower socket.

### ◆ Corners

- Internal or external 90° or 45°.

### ◆ Trolley insertion base

### ◆ Cooktop support base

### ◆ Support structures

- Cutlery and tray holder.
- Bread and tray holder + cutlery holder in PVC.
- Bread holder with support cutlery holder in PVC.
- Support glass holder with three lined tilted shelves.
- Side structure with 1 or 2 shelves for distribution of cutlery, bread, trays.

Open neutral compartment



Neutral element on cabinet with sliding doors



Dimensions of neutral elements:  
Lengths 400 / 1,200 / 1,500 mm  
Height 900 mm  
Depth 700 mm

Cash register element





HOLDERS FOR TRAYS, CUTLERY  
AND BREAD



# SELF 700

## NEUTRAL ELEMENTS



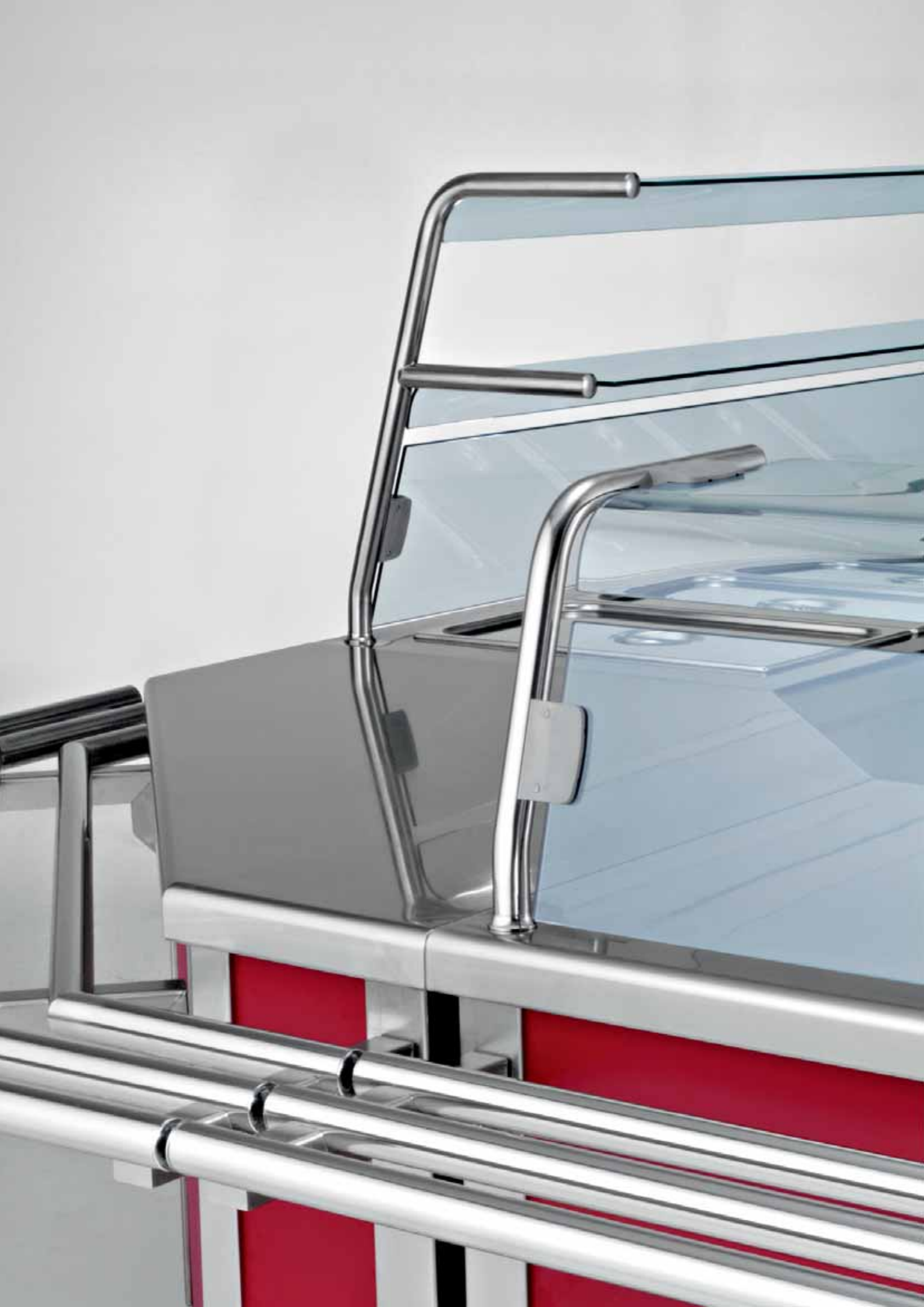
HOLDERS FOR GLASSES, TRAYS,  
CUTLERY AND BREAD

CORNER ELEMENTS



ELEMENT FOR TROLLEY INSERTION





# SELF 700 ACCESSORIES



Along with extreme flexibility, Self 700 provides nearly endless possibilities for customizations. A wide range of accessories lets you adapt the line to suit various technical and aesthetic needs.

- ◆ Kit to obtain a display island
- ◆ Tray slide in tube or with stainless steel top
  - Linear fixed or tilting.
  - Corner with external corners of 90° or 45°.
  - Linear with internal corner of 90° or 45°, right or left (only for tube version).
- ◆ Upperstructure
  - Supports for 1 or 2 glass shelves.
  - Support for island bridge.
  - Glass elements: front, curved, with double curve for island.
- ◆ Illuminating and heating elements for upperstructure
- ◆ Joining elements for side-by-side compartments and corner joint tops
- ◆ Feet, plinths in stainless steel
- ◆ Plate trolley
  - Neutral or heated with cover, capacity 120 plates.
- ◆ Tray lifter trolley
- ◆ Lifter for plates, baskets or trays
  - To be built into the neutral element.

## Example of progressive-outfitting with accessories



- ◆ A. support for 2 shelves complete with 1 glass front and 2 curved tops.
- ◆ B. support for 1 shelf complete with 1 glass front and 1 curved top.
- ◆ C. bridge support for island complete with 1 double curved glass.
- ◆ D. linear tray slide in tube.
- ◆ E. linear tray slide with top in stainless steel.



### Kit to obtain a display island with tube tray slide



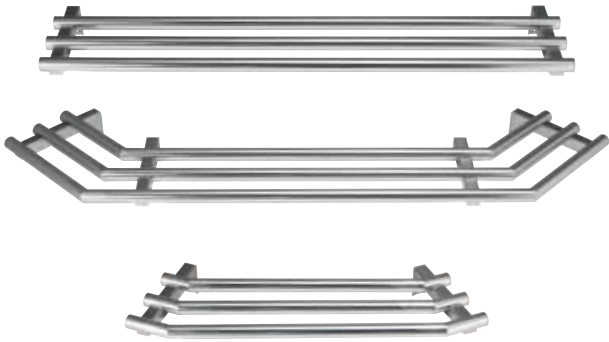
Detail of element for distribution of plates/trays



Heating and lighting element for upperstructure



Fixed tray slides in stainless steel



Tilt tray slide in stainless steel tube



Fixed tray slide with stainless steel tops



Tray slide in stainless steel, tube or with top with raised ashlar.  
Available in various sizes and in linear or corner 90° or 45° version.

## SELF 700 ACCESSORIES

Compartment joint unions on request



Standard compartment joint elements





Detail of tray lifter trolley



Tray lifter trolley

Heated plate trolley with covers



Details of polycarbonate cover and trolley insertion

# SELF 700 ACCESSORIES

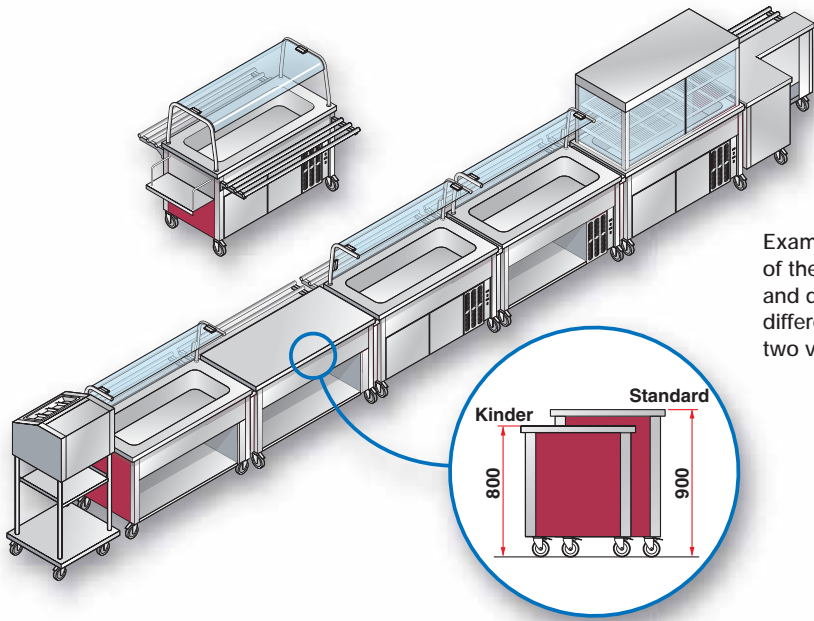


Standard colour options of the modular covering panels

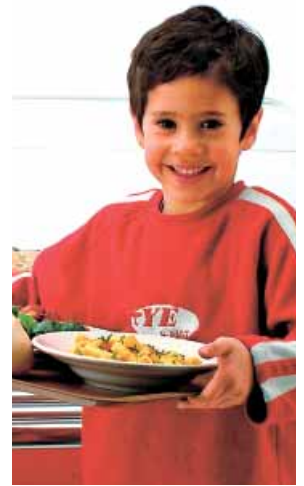
## Range of colours and materials for covering the elements

The front and side panelling can be customized by request of the client to meet the aesthetic needs of the setting. As an alternative to the standard version, you may request panels in a wide range of colours, laminated, metallic, or covered with various types of wood materials.





Example of composition of the Self 700 Kinder line and detail of the difference in height in the two versions.







## SELF 700 THE KINDER LINE



### ◆ When making things easy matters

When distributing meals to children it is essential that the latter can easily see and reach the food. The Kinder line, while conserving the features and accessories of the standard Self 700, is composed of lower elements: the height of the modules is just 800 mm.

The characteristics of hygiene, safety and practicality that are featured in all EMAINOX products are especially important when children are serving themselves.

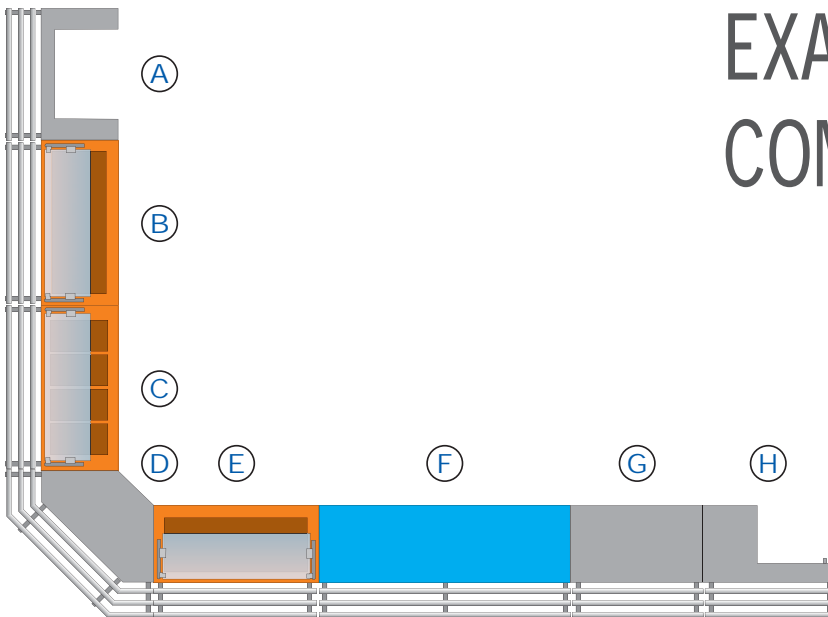
The Self 700 Kinder line is the optimal solution for use in elementary and junior high school cafeterias.

### ◆ Technical characteristics

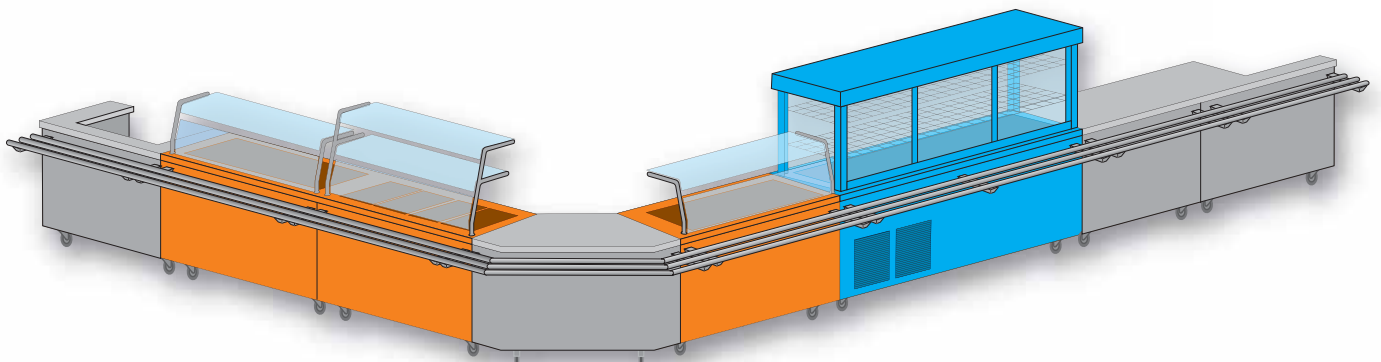
- General characteristics as in the Self 700 standard line.
- Height above ground of the refrigerated and neutral elements 800 mm.
- Accessories of the Self 700 line are easily interchangeable with the kinder-line.



# EXAMPLES OF COMPOSITION



- ◆ A. trolley insertion element L = 1,500 mm
- ◆ B. pyroceram top element on heated cabinet L = 1,500 mm
- ◆ C. bain-marie element 4 GN1/1 on heated cabinet L = 1,500 mm
- ◆ D. 90° external corner element
- ◆ E. pyroceram top element on open compartment L = 1,500 mm
- ◆ F. refrigerated display case element with well and reserve refrigerated L = 2,300 mm
- ◆ G. neutral element L = 1,200 mm
- ◆ H. right-hand cash register element





**EMAINOX**  
PROFESSIONAL FURNISHING SYSTEMS

EMAINOX S.p.A.  
Via Pontebbana, 9  
33098 Valvasone (PN) Italy  
Tel. +39 0434.85385  
Fax +39 0434.85390  
[www.emainox.it](http://www.emainox.it) - [info@emainox.it](mailto:info@emainox.it)

