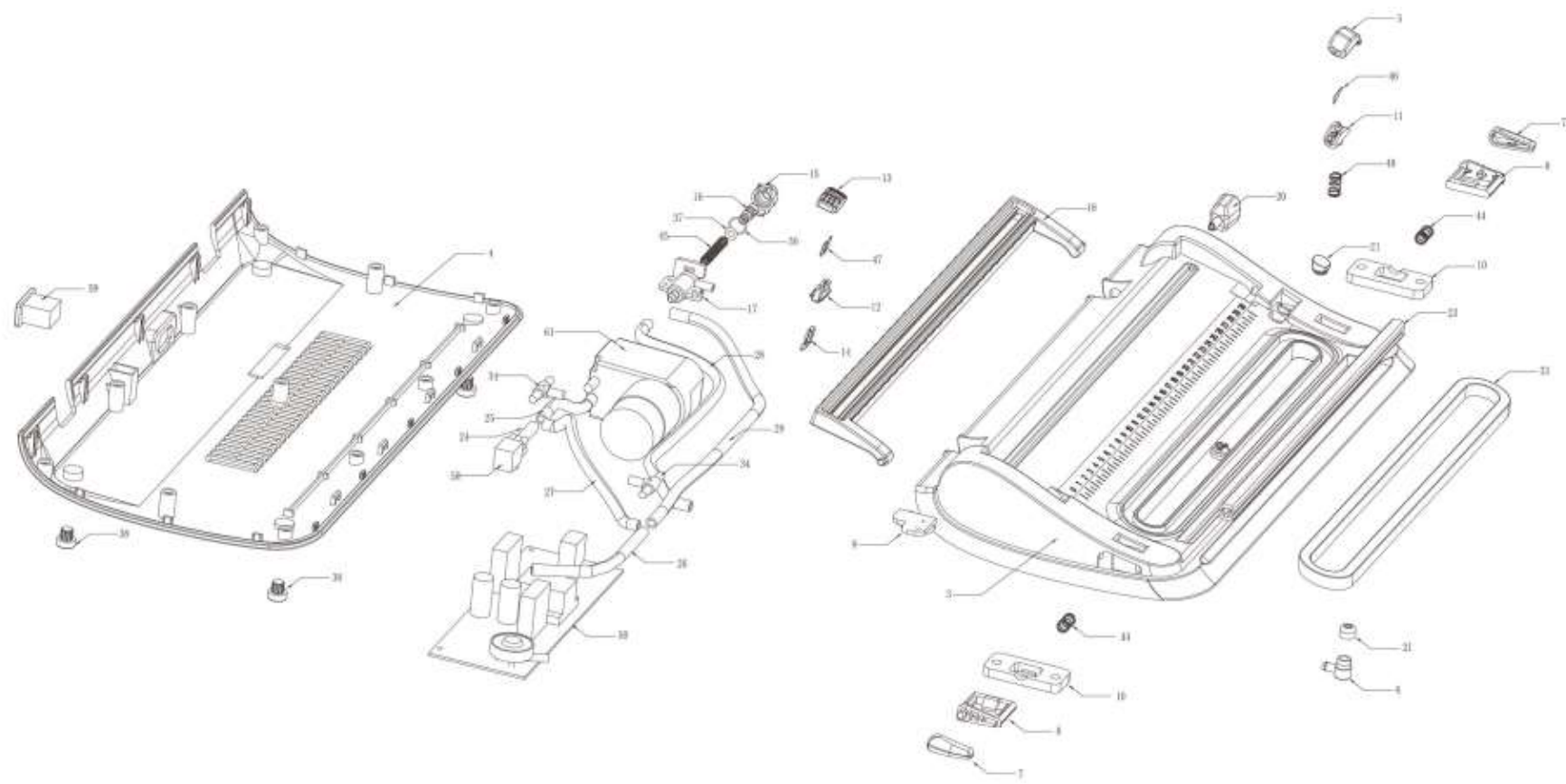


УПАКОВЩИК ВАКУУМНЫЙ БЕСКАМЕРНЫЙ HURAKAN HKN-V333



УПАКОВЩИК ВАКУУМНЫЙ БЕСКАМЕРНЫЙ HURAKAN HKN-V333

Поз	Наименование детали		
1	Top Cover a	32	Mica sheet
2	Top Cover b	33	Lower cover sealing cotto
3	Bottom Cover a	34	Tee connection pipe
4	Bottom Cover b	35	teflon high temperature adhesive tape
5	Upper cover of angle cutter	36	Sealing ring at the suction opening
6	connection of the air extraction port	37	sealing ring of the pumping tank piston
7	Button	38	Silicone Feet
8	Button bracket	39	Fixing bar
9	Fixing Bracket for Rotating Rod	40	Heating Element Shrapnel
10	Fixing Bracket for Button	41	Screw
11	Lower cover of angle cutter	42	Screw
12	Cutter Support(Middle)	43	Screw
13	Cutter cover	44	Spring for Button
14	Cutter support frame(Bottom)	45	Spring
15	Suction mouth	46	Chamfering blade
16	piston	47	blade
17	Spring bracket at suction opening	48	Cutter spring
18	Inside cover of cutter	49	Circuit Board for Button
19	Screw hole plug plate	50	Main Board
20	Suction port interface	51	Heating Element
21	Angle cutter silicon sheet	52	Power Cord
22	Silica gel at the suction port	53	Wire for C
23	Heating Silicone Strip	54	Connector for Heating Element
24	Silicone Tube	55	Temperature Relay
25	Silicone Tube	56	Connector Wire for Motor
26	Silicone Tube	57	Internal Wire for Circuit Board of Button
27	Silicone Tube	58	Solid Valve
28	Silicone Tube	59	Power supply socket
29	Silicone Tube	60	PVC button panel
30	Motor Gasket	61	DC Motor
31	Upper cover sealing cotto		