



# FANTASTIC ECO

Off Grid, On Demand,  
Truly Natural



Cut the cord for sustainability. Environmentally friendly and silent juicing – fresh, on demand, and powered by you.

**CORDLESS JUICING:** No electricity needed. Simply crank the wheel to start juicing. Switch between right and left-handed operation. Ideal for any location with on-demand juicing or location-flexibility needs.

**SUPERIOR TASTE:** Patented SCS Up&Down dynamic knife delivers precise fruit cuts, reduces peel oil, and yields sweeter-tasting juice.

**MAXIMIZED HYGIENE:** 304 food-grade stainless steel ensures food safety. Dishwasher-safe Double Cover and juicing parts maximize hygiene.

**EFFICIENT OPERATION:** One single Cross Holder secures all juicing elements and speeds up disassembly and cleaning.

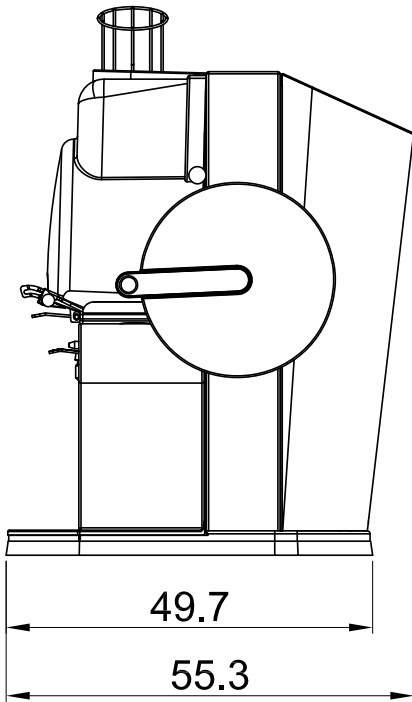
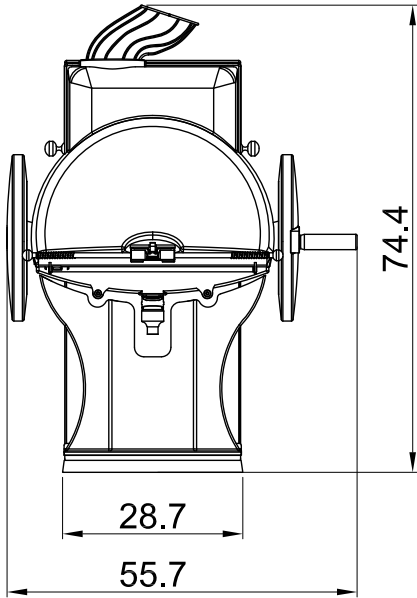
**UNMATCHED DURABILITY:** Robust materials and design. Complete triple-sealed separation of juicing zone and gear housing for durability and longer machine life. Industry-known Citrocasa quality.

**ULTIMATE VERSATILITY:** Indoor, outdoor, anywhere, anytime. No plugs, no cables. Easily switch to optional Small Pressing Kit for juicing lemons and limes.

**ATTRACTIVE RETURNS:** Elegant eye-catching design attractively priced. Ideal for entering the world of on-demand fresh juicing.



# FANTASTIC ECO



Drawing measurements in cm

| Footprint W/D:  
11 / 19.5 inches

| Body W (incl. handle)/D:  
22 inches

| Height:  
29.5 inches

# MANUAL-DRIVE CITRUS JUICER

## Fruit supply tunnel

4 pieces

## Fruit type

Citrus fruit

## Fruit size, Standard Pressing Kit (incl.)

2.55-3.14 in

## Fruit size, Small Pressing Kit (opt.)

1.96-2.55 in

## Installation

Free-standing / countertop kit /  
Stainless-steel cabinet

## Parts and Support

(407) 790 7862

## Power supply

No electricity required

## Operation

Manual / Left or right-handed

## Net weight

126 lb

## Warranty

Limited 2-year

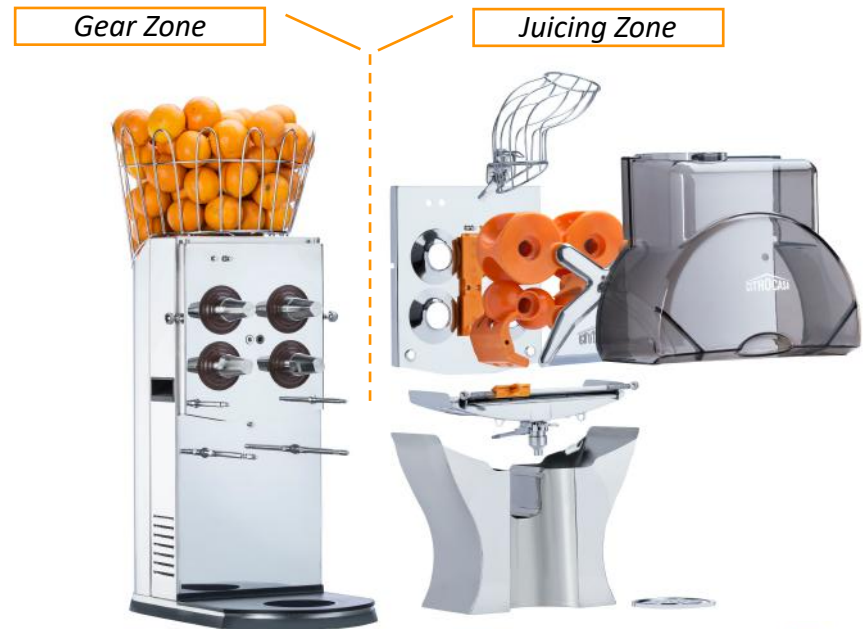
## Certifications

NSF, TÜV Product Service, ISEGA,  
ANSI and SCC accredited

[www.citrusamerica.com](http://www.citrusamerica.com)

## 2-ZONE TECHNOLOGY:

Complete separation of *gear housing* and *juicing zone* with stainless-steel  
Double Cover for improved hygiene and cleaning efficiency.



## OPTIONAL ACCESSORIES:

- | Fruit Basket
- | Small Pressing Kit for lemons & limes
- | Counter-Installation Kit
- | Rolling Stainless-Steel Cabinet
- | Bottle Dispenser | Slide Tray | Display Shelf

