

MXG 638 *XSafe*





Modular Ice Machine 330 kg


Item #:
Project:
Quantity:



FEATURES

- Individual transparent solid cube: each single cube is an artwork: crystal clear and perfectly shaped, faithful to the Scotsman tradition.
- Global standard footprint: strictly follows international imperial standard commonly adopted in the industry of reference.
- Agion: the technology that makes products cleaner and longer lasting with built-in protection working 24/7 to resist the growth of microbes and the development of unpleasant odors.
- Electronic control: ambient and water temperatures may change throughout the years but your ice will stay the same.
- External indicator lights: keeps ice maker's operations under constant surveillance.
- Front access condenser air filter: a do-it-yourself cleaning operation that saves time and money and makes your ice maker live longer.
- Clean alert: advises with a blink when it's time to clean the filter.
- XSafe: natural sanitation system, integrated inside the ice maker and operating automatically 24/7 to keep equipment clean & safe.

 <p>MXG XL 638 Extra Large Gourmet 60 g Ø 44 x H 46 mm</p>  <p>MXG L 638 Large Gourmet 39 g Ø 38 x H 41 mm</p>  <p>MXG M 638 Medium Gourmet 20 g Ø 30 x H 34 mm</p>  <p>MXG S 638 Small Gourmet 8 g Ø 21 x H 25 mm</p>	<p>CONDENSING SYSTEM</p> <p>Air cooled Remote condenser Water cooled</p>	<p>RECOMMENDED BINS</p> <table border="1"> <thead> <tr> <th>Head</th> <th colspan="2">Bins</th> <th>kg</th> </tr> </thead> <tbody> <tr> <td rowspan="6">MXG 638</td> <td>✓</td> <td>SB393</td> <td>181</td> </tr> <tr> <td>✓</td> <td>SB530</td> <td>243</td> </tr> <tr> <td>BINTOPMXGSB55</td> <td>SB550</td> <td>252</td> </tr> <tr> <td>CBT48EAMCD</td> <td>SB948</td> <td>406</td> </tr> <tr> <td>CBT52EAMCD</td> <td>SB1025</td> <td>478</td> </tr> <tr> <td>●</td> <td>UBH1600</td> <td>812</td> </tr> <tr> <td>●</td> <td>SIS1350</td> <td>613 + 73 + 73</td> </tr> </tbody> </table>			Head	Bins		kg	MXG 638	✓	SB393	181	✓	SB530	243	BINTOPMXGSB55	SB550	252	CBT48EAMCD	SB948	406	CBT52EAMCD	SB1025	478	●	UBH1600	812	●	SIS1350	613 + 73 + 73
	Head	Bins		kg																										
	MXG 638	✓	SB393	181																										
✓		SB530	243																											
BINTOPMXGSB55		SB550	252																											
CBT48EAMCD		SB948	406																											
CBT52EAMCD		SB1025	478																											
●		UBH1600	812																											
●	SIS1350	613 + 73 + 73																												
<p>REFRIGERANT GAS</p> <p>R404A R452A</p>	<p>VOLTAGE V/Hz/ph</p> <p>230/50/1 230/60/1 400/50/3N</p>																													
<p>LEGEND:</p> <p>✓ : Perfect combination between ice maker and bin ● : Ice chute cut-out performed upon installation CBTxxxxxxxx : need additional bin top</p>																														

<p>CERTIFICATIONS</p> 	<p>OPERATING REQUIREMENTS</p> <table border="1"> <thead> <tr> <th></th> <th>Minimum</th> <th>Maximum</th> </tr> </thead> <tbody> <tr> <td>Air temperature</td> <td>10</td> <td>43</td> </tr> <tr> <td>Water temperature</td> <td>5</td> <td>38</td> </tr> <tr> <td>Water pressure</td> <td>1 bar (14 psi)</td> <td>5 bar (70 psi)</td> </tr> <tr> <td>Electrical voltage</td> <td>-10%</td> <td>+10%</td> </tr> </tbody> </table>			Minimum	Maximum	Air temperature	10	43	Water temperature	5	38	Water pressure	1 bar (14 psi)	5 bar (70 psi)	Electrical voltage	-10%	+10%
		Minimum	Maximum														
	Air temperature	10	43														
	Water temperature	5	38														
	Water pressure	1 bar (14 psi)	5 bar (70 psi)														
Electrical voltage	-10%	+10%															

IMPORTANT NOTICE:
Models and specifications are subject to change without notice.
This spec sheet is meant for commercial purpose only.
For technical documentation please refer to our service manuals.

www.scotsman-ice.it
www.scotsman-ice.com

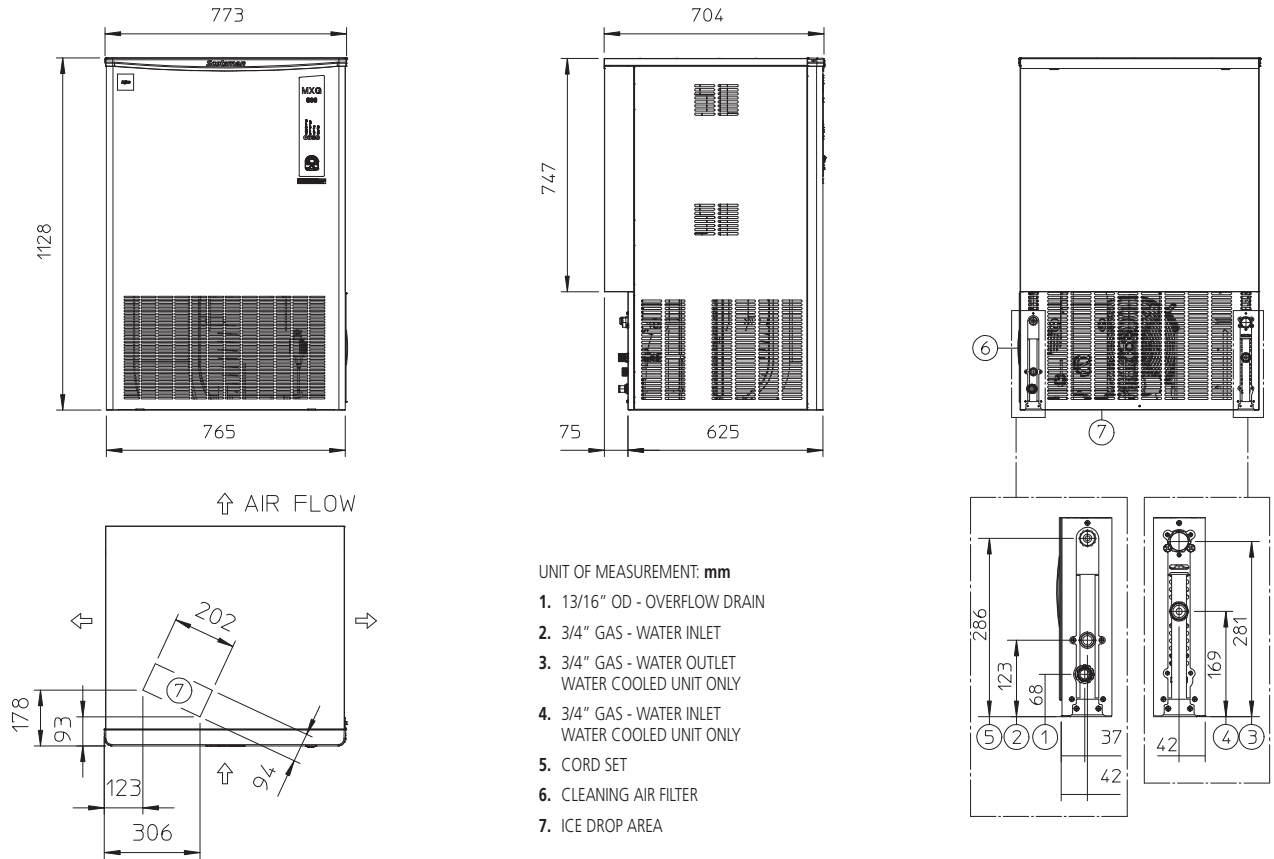
Modular Ice Machine 330 kg

MXG 638 *XSafe*

Modular Ice Machine 330 kg

Item #:
Project:
Quantity:

Modular Ice Machine 330 kg



UNIT DATA		SHIPPING DATA	
Size (W x D x H)	773 x 704 x 1128 mm	Carton (W x D x H)	830 x 770 x 1320 mm
Net weight	116 kg	Weight	129 kg

Version	Voltage	24 h ice production kg °C Amb. / °C Water			Energy consumption (*)		Water usage (*)	Instant power	Compressor	Circuit wires	Max. fuse size
		10°C/10°C kg	21°C/10°C kg	32°C/21°C kg	kWh/ 100 kg	kWh/ 24h	l/h	W	W	No. x Ømm²	A
MXGL 638 AS	230/50/1	315	310	255	20.0	50.9	41.5	2600	7390	3 x 2.5	20
MXGL 638 WS	230/50/1	290	285	250	19.8	45.5	200.0	2100	7400	3 x 2.5	20
MXGL 638 AS	400/50/3N	295	290	245	20.6	50.5	37.0	2550	7300	5 x 1.5	10
MXGM 638 AS	230/50/1	330	310	220	23.2	51.0	22.9	2500	7400	3 x 2.5	20
MXGM 638 WS	230/50/1	340	325	290	16.6	48.0	225.0	2200	7400	3 x 2.5	20
MXGM 638 AS	400/50/3N	330	310	220	23.6	52.0	42.0	2800	7300	5 x 1.5	20
MXGM 638 ASR	400/50/3N	330	310	220	23.6	52.0	27.9	2800	7300	5 x 2.5	20
MXGM 638 WS	400/50/3N	335	325	290	16.2	47.0	225.0	2200	7800	5 x 1.5	20
MXGS 638 AS	230/50/1	360	345	240	23.2	55.6	39.2	2800	7400	3 x 2.5	20
MXGS 638 WS	230/50/1	340	325	280	18.6	52.0	275.0	2300	7400	3 x 2.5	20
MXGXL 638 AS	230/50/1	260	260	210	24.8	52.0	75.0	2800	7400	3 x 2.5	20
MXGXL 638 WS	230/50/1	260	260	210	24.8	52.0	275.0	2800	7400	3 x 2.5	20
MXGM 638 ASR	230/50/1	365	345	275	19.6	52.8	39.5	2600	7400	3 x 2.5	20
MXGL 638 ASR	400/50/3N	315	300	250	20.2	50.6	39.0	2600	7300	3 x 2.5	12
MXGL 638 AS	230/60/1	330	315	250	24.0	60.0	30.0	3100	8868	3 x 2.5	20
MXGL 638 WS	230/60/1	310	290	270	16.9	45.7	208.3	2100	5500	3 x 2.5	20
MXGM 638 AS	230/60/1	365	340	255	25.0	58.0	50.0	3200	8868	3 x 2.5	20
MXGS 638 AS	230/60/1	360	345	275	21.8	60.0	39.2	3000	5500	3 x 2.5	25
MXGS 638 WS	230/60/1	360	345	275	21.8	60.0	208.3	3000	5500	3 x 2.5	25

(*) Data refer to 32°C Amb. / 21°C Water temperature conditions