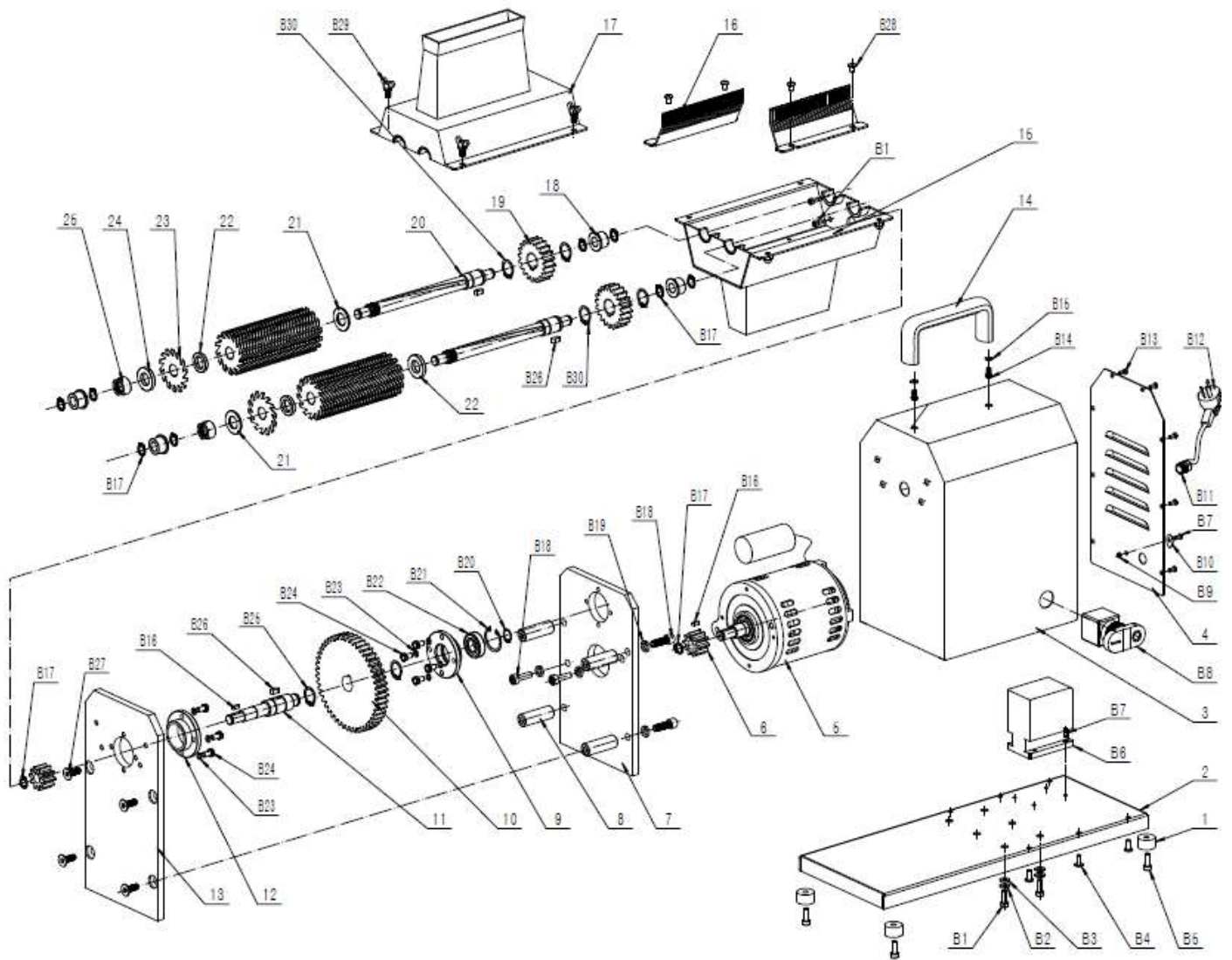


МЯСОРИХЛИТЕЛЬ HURAKAN HKN-PKT




МЯСОРЫХЛИТЕЛЬ HURAKAN НКН-РКТ

Поз	Наименование детали	Кол
1	Foot	4
2	Long base assembly	1
3	cabinet	1
4	Tailgate	1
5	Motor	1
6	Gear 1	1
7	Gear box plate 1	1
8	Gearbox support	4
9	Flange sleeve 1	1
10	Gear 2	1
11	Output shaft	1
12	Flange sleeve 2	1
13	Gear box plate 2	1
14	Handle	1
15	Lower frame components	1
16	Meat comb	2
17	Upper rack components	1
18	Copper bush	4
19	Nylon gear	1
20	Short axis	1
21	Washer (thin)	2
22	Spacer	52
23	blade	54
24	Washer (thick)	2
25	fasten the screw nut	1
B1	Socket head cap screws	10
B2	Flat washer 6	6
B3	Standard spring washer 6	6
B4	Cross recessed pan head screws	6
B5	Socket head cap screws	10
B6	AC contactor	1
B7	Cross recessed pan head screws	3
B8	power switch button	1
B9	Hex nut M4	1
B10	Ground sign	1
B11	Can't pull off	1
B12	power cable	1
B13	Cross recessed pan head screws	8
B14	Hexagon head bolt M8 × 12	2
B15	Flat washer 8	2
B16	Flat key A4 × 16	1
B17	Circlip for shaft 12	9
B18	Socket head cap screws	6
B19	Standard spring washer 8	6
B20	Circlip for shaft 15	1
B21	Retaining ring for hole 32	1
B22	Deep groove ball bearing 6002	2
B23	Standard spring washer 6	8
B24	Hexagon head bolt M6 × 16	8
B25	Circlip for shaft 20	2
B26	Flat key A5 × 12	3
B27	Hexagon socket countersunk head screws	4
B28	Cross recessed pan head screws	4
B29	Butterfly bolt M6 × 10	4
B30	Circlip for shaft 19	4