

varía[®]
BREW DIFFERENT

**SMART TEMPERATURE
CONTROL KETTLE**



www.variabrewing.com

varía®

BREW DIFFERENT

We have designed and developed Varia products to enhance the brewing experience in your home and wherever you choose to brew.

Becoming part of the Varia family and community will take you on a coffee journey in the hands of coffee masters.

We hope that you enjoy brewing with our products and we are honored to have your support!

Thank you from the team @variabrewing

varía®

BREW DIFFERENT

SMART TEMPERATURE CONTROL KETTLE

INSTRUCTION MANUAL:

Thank you very much for your purchase. For directions on how to use this product, please ensure you read the instruction manual in full before using. After reading the manual, store it in a safe place.

PRODUCT INFORMATION:

Name: Varia Smart Temperature Control Kettle
Model: VARIA05
Capacity: 1000mL
Rated Power: 1450W
Rated Voltage: 220-240V
Rated Frequency: 50-60Hz



MADE IN CHINA

SAFETY INSTRUCTIONS:

Your safety and the safety of others is very important.

We have provided many important safety messages in this manual. Always read and obey all safety messages.



This is the safety alert symbol. This symbol alerts you to potential hazards that can kill or hurt you and others.

All safety messages will follow the safety alert symbol and either the word "DANGER" or "WARNING". These words mean:

⚠️ DANGER

You can be killed or seriously injured if you don't immediately follow instructions.

⚠️ WARNING

You can be killed or seriously injured if you don't follow instructions.

This appliance can be used by persons with reduced physical, sensory or mental capabilities or lack of experience and knowledge and by children aged 8 years or above if they have been given supervision or instruction concerning use of the appliance in a safe way and understand the hazards involved.

Cleaning and user maintenance shall not be made by children unless they 8 years or older and supervised.

Keep the appliance and its cord out of reach of children aged less than 8 years.

Children shall not play with the appliance.



ELECTRICAL SHOCK HAZARD

MUST BE plugged into a grounded outlet.

DO NOT remove ground prong.

DO NOT use an adapter.

DO NOT use an extension cord.

DO NOT operate on an uneven surface.

DO NOT remove bottom cover from base or disassemble base or kettle in any way.

DO NOT let cord hang over edge of table or counter, or touch hot surfaces.

DO NOT operate in the presence of explosive and/or flammable fumes.

DO NOT use for other than intended use. This appliance is intended for household and commercial use only. Use for anything other than intended use will void the one-year warranty and may result in injury.

Failure to follow these instructions can result in electrical shock, fire or cause serious injury or death and warrant will be voided.

HEATING CHART:

600mL		750mL		1000mL	
TEMP °C / °F	TIME (0:00)	TEMP °C / °F	TIME (0:00)	TEMP °C / °F	TIME (0:00)
82 / 179.6	1.36	82 / 179.6	2:03	82 / 179.6	2.40
85 / 185	1.42	85 / 185	2:09	85 / 185	2.50
92 / 197.6	1.53	92 / 197.6	2:16	92 / 197.6	3:10
100 / 212	2.12	100 / 212	2:53	100 / 212	3:53

Initial Resting Water Temperature: 26°C / 78.8°F

WARRANTY:

For 12 months after the original date of consumer purchase, Varia Brewing Limited warrants this product against any defects caused by defective material or workmanship. Only the original user is covered by this warranty when a kettle is bought from an authorized reseller. To make a warranty claim, you will need the original sales receipt as proof of purchase. This warranty does not cover damage to the product caused by the following:

- An accident, misuse, or unauthorized repairs.
- Using the incorrect form of current or voltage.
- Failure to clean the kettle and cleaning/descaling agents according to the manufacturer's instructions.
- Failure to follow all of the precautions outlined in this document's warnings and instructions.

Please direct all warranty claims and enquiries to: hello@variabrewing.com

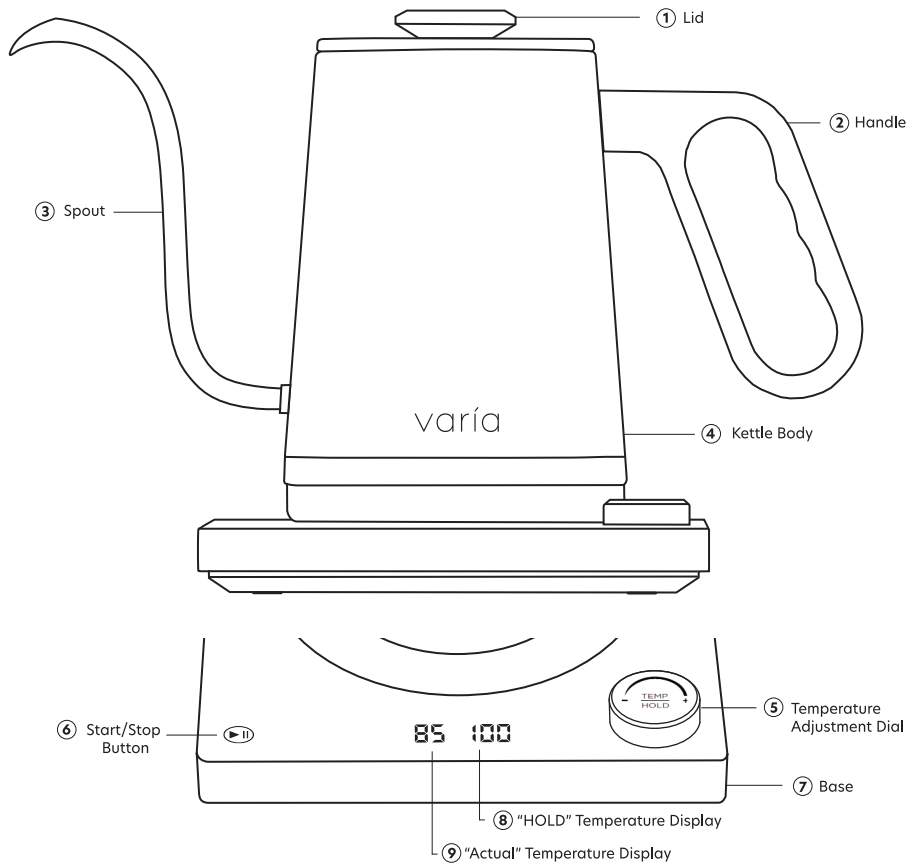
CLEANING AND MAINTENANCE:

1. Power must be turned off while cleaning this product. The kettle body and base must NOT be immersed or submerged in water or washed with water to clean.
2. Cleaning kettle body and base: Please use a moist cloth/towel to wipe the kettle body and base, ensure that the cloth/towel is not wet or no water can enter the base-kettle connection point. Ensure that once cleaned that the surfaces are dried again. DO NOT use a wet cloth to wipe the body and base.
3. DO NOT wipe the base-kettle connection point or the underside of the kettle or wet with water.
4. If there is any incrustation or scale on the base of the kettle heating element, you can use a standard descaler. (We recommend using "Caffetto" cleaning products however you may also consult your local coffee technician or kettle dealer to request assistance).

PRECAUTIONS FOR USE: **⚠ DANGER**

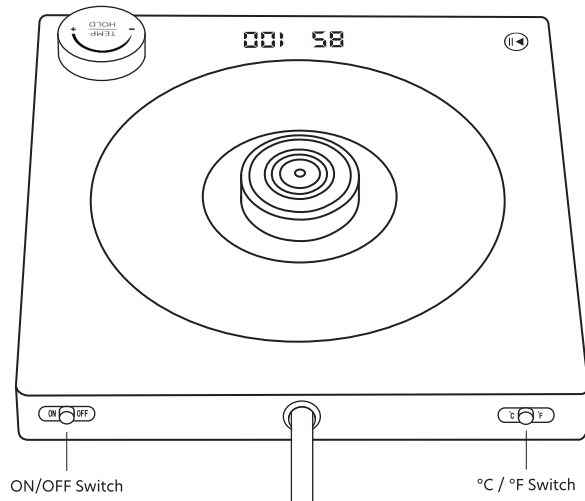
1. DO NOT exceed the 1000mL maximum fill line or the boiling water may eject and cause injury.
2. DO NOT operate the kettle without the kettle filled with water up to the maximum full line, or the boiling water may eject and cause injury.
3. When boiling water, please cover the kettle with the lid to avoid accidents.
4. This kettle is designed for "slow pouring", DO NOT over pour as this could result in boiling/hot water exiting from the lid or vent holes.
5. DO NOT touch the body of the kettle during the boiling process to avoid burns.
6. CAUTION - LID VENT HOLES - emit steam when contents are hot, DO NOT remove the lid while the kettle is boiling or while there is hot water in the kettle. Only remove the lid when the contents are cool or emptied.
7. DO NOT move the kettle base when it is in operation.
8. DO NOT operate this product in wet/damp conditions or place the kettle down on wet surfaces or into water or use if your hands are wet.
9. DO NOT wash this product or any components with water or immerse this product or any components in water.
10. This kettle must only be used with the same product model power base, (DO NOT attempt to use this kettle with another power base).
11. Turn off and remove power plug after use to avoid accidents.
12. If there is any damage to the power supply cord or any other parts, please stop using this product immediately. If the power supply cord is damaged, it must be replaced by the manufacturer, its service agent or a qualified service person. DO NOT disassemble, damage or replace any part or component of this product at will or use it forcibly.
13. This appliance is not intended for use by persons (including children) with reduced sensory, physical or mental capabilities, or lack of experience and knowledge, unless they have been given supervision or instruction concerning use of the appliance by a person responsible for their safety. Children should be supervised to ensure that they do not play with the appliance.
14. DO NOT insert any utensils into the kettle.
15. DO NOT use for anything other than its intended purpose. This appliance is only intended for use in the home and in the workplace. The one-year warranty will be voided if the product is used for something other than its intended purpose, and it could result in injury.
16. To Prevent Scalding:
16-1): Never use the kettle without its lid. 16-2): When the kettle is boiling, do not remove the lid. 16-3): If the lid is removed during the brewing cycle, scalding can occur. 16-4): Be aware of steam emitted from the spout or lid, especially when refilling. 16-5): After boiling, water will remain hot for a long time, posing a scalding danger.
17. Keep the kettle and the kettle base away from the work surface's edge and out of children's reach. Remove the lid only after the kettle has cooled.
18. To avoid possible steam damage, turn spout away from walls or cabinets during use.
19. To avoid burns and risk of personal injury, use extreme caution when carrying kettle containing hot water.
20. DO NOT use for other than intended use. Any misuse of this appliance may result in injury.
21. This appliance is intended to be used in household and similar applications such as:
- Staff kitchen areas in shops or hospitality premises, offices, and other working environments.
- Guest houses; by clients in hotels, motels and other residential type environments; bed and breakfast type environments.
22. The heating element surface is subject to residual heat after use.

PRODUCT OVERVIEW:



INITIAL PRODUCT SETUP:

1. Place the kettle base on a flat surface/countertop and out of reach of children.
2. Plug in the kettle base to your power outlet, switch the "On/Off" button, (Located on the right rear corner of the base) to the "On" position. The °F and °C setting can also be changed to select the desired temperature unit.
3. First time use cleaning - remove the lid of the kettle, fill the kettle with cold water then replace the kettle lid and place back on the kettle base (Do not exceed the 1000ML MAX fill line and Do not underfill the Kettle below the MIN fill line).
4. Set the temperature to 100°C and boil the kettle using "Water Heating Function" and discard water. Upon start-up, factory default temperature will show ("85" °C).



WATER HEATING FUNCTION:

1. After powering on, the front screen will light up, the left side of the screen shows the current temperature of the kettle and the right side shows the desired temperature setting (factory default 85°C).
2. Press button and the screen will show the icon and the kettle will start heating the water (during the heating process, if you take the kettle off the base and replace it again it will continue to work without resetting). When heating to 100°C, the kettle will automatically stop working.
3. Press the button when heating to stop the kettle heating, the will disappear and the kettle will stop heating.



TEMPERATURE HOLD MODE:

1. Rotate the "temperature dial" to set the required temperature value, rotate the dial "clockwise" to increase the temperature, rotate the dial "anticlockwise" to decrease the temperature.
2. When rotating the "temperature dial", the screen will appear; when rotating the dial to the required temperature value the will flash 3 times.
3. The screen will then appear and it will start to heat the water in temperature hold mode.
 - When the screen shows the kettle is in temperature hold mode. (During the heating process, if you take the kettle off the base and replace it again it will continue to work without resetting).
 - The temperature hold mode time is duration 12 hours. If you need to cancel the heat preservation mode, press button to cancel the mode, the screen will have no function symbol to show. When using "temperature hold mode" please ensure the set temperature is below 99°C and please ensure the Kettle is filled with water.



TIMING FUNCTION:

When the kettle base is turned on and the kettle is removed the temperature display will show "000". When is displayed on the screen, press button to start the timer. Press again to pause the time and press once more to reset the timer.

THANK YOU FOR CHOOSING TO BREW DIFFERENT.

www.variabrewing.com