



CB15V

Heavy-Duty, One Gallon, Variable Speed Food Blender



Heavy-Duty, One Gallon Variable Speed Food Blender



*Made in USA with US and foreign parts.

ELECTRICAL

Voltage: 120
Frequency: 50/60Hz
Watts: 1800
Amps: 6.5
Plug Type: A
Cord Length: 6.6 feet



MAIN FEATURES

- Ultra-heavy-duty, 3.75 HP commercial motor — perfect for large loads and long blending times
- Variable-speed controls enable you to precisely adjust RPM speeds to perfectly control the consistency of your mixture
- Adjustable speeds from 1,700–18,000 RPM
- PULSE feature pulses at set speed to chop and mix
- Easy-to-clean, electronic-membrane keypad
- 1 gallon, stainless-steel container with two handles for carrying and pouring, and lid clamps for security
- Easy-off, rubberized lid with removable, clear cap for adding ingredients and for pressure reduction during hot food blending
- Durable, high-performance, stainless-steel blade
- Metal-on-metal, stainless-steel coupling system for durability and reliability
- Durable, full die-cast motor housing with rugged, rubber feet to reduce vibration
- Dishwasher-safe, one-piece jar pad for easy cleaning
- Recommended for 100+ drinks or servings per day
- Limited 3-Year Motor Warranty

SALES FEATURES

When it comes to ultra heavy-duty blenders, the Waring® CB15V has your back. Chop, mix and shred large loads that need long blending times with a powerful 3.75 HP motor—or make 100+ drinks per day. Variable speed controls allow you to precisely control the RPM, which means you can also tightly control the consistency of your signature recipes.



@waringcommercial




©2019 Waring Commercial
314 Ella T. Grasso Avenue, Torrington, CT 06790
Tel. 800-492-7464 • Fax 860-496-9008

waringcommercialproducts.com

CB15V



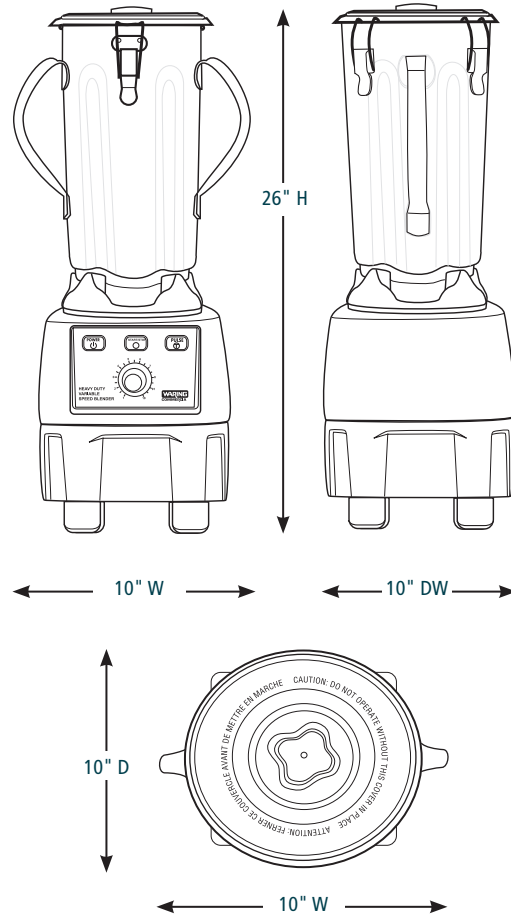
INCLUDED ACCESSORIES

-  **CAC77** Vinyl Lid for 1 Gallon Blender Jar
-  **CBL10** Hot Blending Lid for 1 Gallon Blenders
-  **CAC72** Two-Handle, 1 Gallon Stainless Steel Container with Blade Assembly and Lid

OPTIONAL ACCESSORIES

-  **CB15BU** Base Unit
-  **CAC125** Two-Handle, 1 Gallon Stainless Steel Container with Spigot, Blade Assembly and Lid
-  **CAC170** 1 Gallon, Stackable, 128 oz., BPA-Free Copolyester Container with Blade Assembly and Lid
-  **CAC32** 40 oz. Glass Container Complete with Blade Assembly and Lid (requires AD1)
-  **AD1** 1 Quart Adapter for 1 Gallon Blenders
-  **CAC19** 48 oz., BPA-Free Copolyester Container Complete with Blade Assembly and Lid (requires AD1)
-  **CAC33** 32-oz. Stainless Steel Container Complete with Blade Assembly and Lid (Requires AD1)
-  **CAC02** Outer Lid ONLY for 48 oz., BPA-Free Copolyester or 64 oz. Stainless Steel Container
-  **CAC04** Outer Lid ONLY for 32 oz. Stainless Steel Container
-  **CAC05** Center Lid ONLY for CAC01, CAC02, and CAC04

DIMENSIONS



Out of Box Weight: 32.4 lb.

ORDERING INFORMATION	#STD. PKG.	GIFTBOX WEIGHT	CUBIC FEET	BOX DIMENSIONS L x W x H	UPC	CASE PKG.	MC WEIGHT	MC DIMENSIONS L x W x H	MBC
CB15V – One Gallon, Variable Speed Food Blender	1	38	2.9	22.125" x 15" x 15.25"	040072014468	1	38.6	22.125" x 15" x 15.25"	10040072014465

