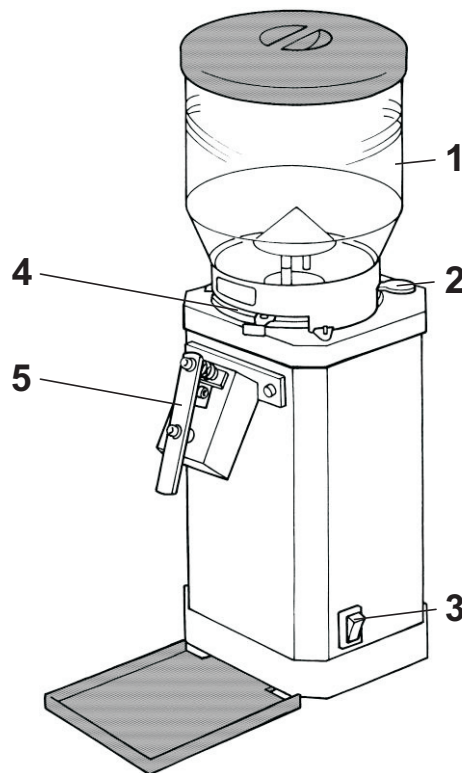


Cod. **C-DR-ECO**

ANFIM[®] srl - Via B. Verro, 33/ 5 - 20141 - MILANO - ITALY

The drawing up of this manual has been edited by the ANFIM Technical Department. All rights reserved.
No part of this publication may be reproduced or transmitted in any form or by any means (microfilms, photocopying or otherwise) without written permission of ANFIM srl. This edition replaces the preceding version.

Printed in Milan by ANFIM srl - Via B. Verro, 33/5 - 20141 - Milano - Italy.

CONTENTS

Chapter 1.	GENERAL INSTRUCTIONS	Page
1.1	Appropriate use	1
1.2	Improper use	1
1.3	Safety standard	1
Chapter 2.	TRANSPORT	Page
2.1	Packaging	1
2.2	Handling of the appliance	1
2.3	Storage	1
Chapter 3.	DESCRIPTION OF THE APPLIANCE	Page
3.1	Description of the appliance	1
3.2	Description of the controls	1
3.3	Emergency stop controls	1
3.4	Table of specifications	1
Chapter 4.	INSTALLATION OF THE APPLIANCE	Page
4.1	Installation of the appliance	2
4.2	Connecting the appliance to the mains	2
Chapter 5.	USING THE APPLIANCE	Page
5.1	Instructions for use	2
5.2	Instructions for emergency stop	2
Chapter 6.	MAINTENANCE	Page
6.1	Safety standards	2
6.2	Cleaning the appliance	2
6.3	Scheduled inspections	2
Chapter 7.	SERVICING	Page
7.1	Instructions for service request	3

1. GENERAL INSTRUCTIONS

Read this instruction booklet carefully before using the coffee grinder.

The installation of the coffee grinder must be done by qualified personnel.

The firm cannot be held responsible for changes made by the user to the appliance and for accidental damages arising from installations and/or utilizations different from those mentioned in this instructions.

The producer reserves the right to change without notice the characteristics of the equipment presented in this instructions.

1.1 Appropriate use

The coffee grinder has been studied and constructed to grind coffee.

1.2 Improper use

Any kind of use apart from what has been indicated in paragraph 1.1 is improper and therefore unauthorized; the producer refuses all responsibility for damages arising from improper use of the coffee grinder described in this instruction booklet.

1.3 Safety standards

Always unplug the coffee grinder before cleaning.

Do never immerse the coffee grinder in water and/or other liquids

The appliance is not to be used by persons (including children) with reduced physical, sensory or mental capabilities, or lack of experience and knowledge, unless they have been given supervision or instruction;

- Children being supervised not to play with the appliance;
- This appliance can be used by children aged from 8 years and above if they have been given supervision or instruction concerning use of the appliance in a safe way and if they understand the hazards involved.
- Cleaning and user maintenance shall not be made by children unless they are older than 8 and supervised.
- Keep the appliance and its cord out of reach of children aged less than 8 years.
- Appliances can be used by persons with reduced physical, sensory or mental capabilities or lack of experience and knowledge if they have been given supervision or instruction concerning use of the appliance in a safe way and understand the hazards involved.
- Children shall not play with the appliance.

2. TRANSPORT

2.1 Packaging

The **ANFIM** coffee grinder is supplied in a special card-board package; each package contains:

- x Coffee grinder - Instruction booklet - Evidence of conformity



2.2 Handling of the appliance

The coffee grinders do not need special instruments for their handling because they can be handled manually.

2.3 Storage

The coffee grinder must be stored in a dry place, protected by its original packaging.

The storing temperature must be comprised between $-10 + 40$ ° C.

3. DESCRIPTION OF THE APPLIANCE

3.1 Description of the appliance

The coffee grinder has been realized considering the actual requirements of a modern and articulated way of working in the coffee shop; concerning this, it has been conceived to obtain a correct grinding of the coffee beans.

Description:

- x Stainless steel or varnished steel sheet bearing structure.
- x Hardened steel blades unit.
- x Plastic hopper fit for contact with food.
- x Power supply in conformity with the 2006/95/EEC Directives.
 - 1- Coffee beans hopper
 - 2- Hopper closing hatch
 - 3- Illuminated ON/OFF switch
 - 4- Blade adjusting ring
 - 5- Inox holder bag

3.2 Description of the controls

The coffee grinder is provided with the following control devices:

- Hopper closing hatch (2).
- Illuminated ON/OFF switch (3).
- Blade adjusting ring (4).

3.3 Emergency stop controls

In compliance with the specifications indicated in the EN 418 standard, the coffee grinder is not provided with an emergency stop because this function is executed by the general ON/OFF switch.

3.4 Table of specifications

Height	600 mm
Width	195 mm
Depth	350 mm
Power	650 W
Noise level	< 70 dB (A)
Blade diameter	64 mm (available TITANIUM on request)
Weight	16.5 kg

4. INSTALLATION OF THE APPLIANCE

4.1 Installation of the appliance

The coffee grinder must be placed on a flat, steady, and dry surface.

4.2 Connecting the appliance to the mains

Single-phase 220 V version

The coffee grinder is supplied with electric cord with a type-approved plug. The only operation required is the connection to an electric socket dimensioned for the absorption of the coffee grinder (rated in 15 a max.).

Tri-phase 380 V version

The coffee grinder is supplied with electric cord without plug: the installer must connect the cable terminals to an electrical terminal board dimensioned for the absorption of the coffee grinder (rated in 15 a max.).

WARNING: The electric installation to which the coffee grinder will be connected must be in compliance with the law in force: the producer refuses all responsibility for damages to persons and things arising from the connection of the coffee grinder to an electric installation not in compliance with the standards.

5. USING THE APPLIANCE

5.1 Instructions for use

- a) Fill the hopper with fresh coffee beans (the maximum capacity of the hopper is about 2 kg).
- b) Open the hatch.
- c) Turn the general ON/OFF switch on; it will light up signalling the presence of the main voltage.
- d) Grind a small quantity of coffee so as to reach the best granularity.
The adjustment of the blade is set in factory, anyway you can obtain the grind at the granularity required in the following way:
 1. Loosen the numbered ring by pushing the chrome-plated pin placed on the left side of the appliance.
 2. Turn the adjustment ring clockwise to have a finer grain, counter-clockwise to have coarser grain.
Remember that the best granularity of the grind depends on the kind of coffee and equipment as well as on the weather; if the air is dry, adjust a finer grinding while if it is damp, a coarser one.
 3. Release the stop pin.
- e) Once you have obtained the best grinding turn the general ON/OFF switch on for make it works.
- f) Turn off the grinder by pressing again the push button ON/OFF.

In order to get the best performances, it is necessary to check the coffee grinding and the dosing regularly, by following the instructions stated in paragraph 6.3 of this booklet.

5.2 Instruction for emergency stop

In case of emergency, if you press the ON/OFF switch, the coffee grinder stops immediately.

6. MAINTENANCE

6.1 Safety standards

Disconnect the coffee grinder from the mains before performing any maintenance operation.
Do not insert fingers or other objects in the entry hole of the blades or in the outlet of the ground coffee.
Do not put already ground coffee in the hopper.
Do not immerse the coffee grinder in water and/or other liquids (solvents, detergents, and so on).
In any case, always refer to the Customer Service Centre of ANFIM.

6.2 Cleaning the appliance

WARNING: Disconnect the coffee grinder from the mains before cleaning.
Do never immerse the coffee grinder in water and/or other liquids.

A constant and regular cleaning prevents the grease settings contained in coffee to go rancid, causing alterations in the smell and the taste of your espresso.

Cleaning instructions:

- 1) Disconnect the coffee grinder from the mains.
- 2) Clean the (empty) hopper internally and externally with a damp cloth.
- 3) Wipe it with a soft and clean cloth.
- 4) Clean the body of the coffee grinder with a slightly damp and soft cloth and wipe it with a clean and dry cloth.
- 5) Connect the coffee grinder to the mains.

6.3 Scheduled inspections

- 1) Adjust the grinding continually by following the instructions indicated in point "d" of paragraph 5.1.
- 2) Have the Customer Service Centre of the **ANFIM** check the wear conditions of the blades regularly.
- 3) Have the Customer Service Centre of the **ANFIM** replace the blades after having treated 500-700 kg of coffee beans.

7. SERVICING**7.1 Instructions for service request**

All technical intervention must be done by authorized personnel of the **ANFIM** firm.
The service request must be sent to **ANFIM** by phone or by fax at the following number:

ANFIM srl - Via B. Verro, 33/5 - 20141 Milano - Italy

Tel. +39- 02 8465054 Fax +39- 02 8464401 - e-mail: info@anfim.it

Or to the **Authorized Reseller:**

DECLARATION OF CONFORMITY

The undersigned **ANFIM srl**, Via B. Verro, 33/5 - Milan – Italy, declares on its own responsibility that the

coffee grinder model: **C-DR - ECO**



Serial Number: _____

to which this declaration refers, is in compliance with the following standards or other corresponding documents:

EN 55014-1:2006 + A1:2009 + A2:2011; EN 55014-A2:2015;

EN 61000-3-2:2014; EN 61000-3-3:2013; EN ISO 12100;

IEC 60335-2-64; IEC 60335-1,

according to what is provided for by the 2006/42/CEE directive.

MILAN, 28 JULY 2016

ANFIM Srl

APPLIANCE DISPOSAL

This device, like all electrical products, at the end of its life, must be disposed of separately from municipal sorted waste, at specific collection point designated by the local council