



Gourmet Cube Ice | Large - Half Large - Dice - Half Dice Cube Ice | Nugget & Cubelet Ice | Flake Ice | Superflake Ice | Scale Ice

Ice Storage & Transport Systems.

**The new concept
in conservation and use of ice.**





Innovative Ice Storage and Transport Systems

Ice has been for centuries, and will continue to be yet for many years, the best known form of portable refrigeration. Ice cubes, flakes, super-flakes, nuggets and scales are used around the world and on daily bases in a multitude of applications, successfully refrigerating, moisturizing, and merchandising all sorts of food and non-food products. Scotsman Ice Systems has the industry largest selection of different ice types and sizes under each type under a single brand. In business since 1950, we have gained the necessary expertise and product range to satisfy any ice shape and quantity requirement. We offer innovative technologies that allow to produce ice with less energy and less water usage. Our machines are designed to guarantee hygienically suitable conditions for ice production at all times while keeping routine maintenance and cleaning at a minimum. We are now ready to offer new and innovative ice storage and transport systems that will make your work safer, more efficient and less

physically demanding, while allowing you to keep your ice in the most pristine conditions for longer periods of time, because our and your success it's all about... product freshness and hygiene! While our Research and Development Team never sleeps, we are today proud to introduce our newest models, which may be easily regrouped in four different categories. Please take the time to read through this catalogue, where you will learn how to select, install and operate and interact with the most advanced products in the ice industry: Scotsman Ice Storage and Transport Systems. You will find these systems applied throughout our numerous and specialized market segment "Buying Guides", as well as product range folders, and spec sheets. To view all of this in a comprehensive and dynamic web application, please visit:
www.scotsman-ice-on-tablet.com
www.scotsman-ice.it
www.scotsman-ice.com



Gourmet Cube Ice | Large - Half Large - Dice - Half Dice Cube Ice | Nugget & Cubelet Ice | Flake Ice | Superflake Ice | Scale Ice

Four Ice Storage & Transport Solutions

Slope Front Ice Bins



Single and Double Door Upright Ice Storage Bins with Door Ice Shield



Ice Storage and Transport Systems with Single Door and Without Door, one Cart and two Cart



Stand and Ice Carts





Slope Front Ice Bin - SB Series

Ice Storage bins manufacturing is an integral part of our activity which revolves around making ice available hygienically, comfortably and in the needed quantities for each application.

At the Operator's level, ice storage capacity should normally have greater relevance than the daily ice machine output, especially in all those locations where ice consumption shows "peaks and valleys" during the opening hours. Irregular ice consumption patterns are at the base of the "modular" configuration of larger capacity ice making systems: an oversized storage capacity will allow investment savings for the actual ice making machine, as ice accumulation during low-demand periods will create the reserves needed for its deferred consumption during peak-demand times. Ergonomic design, resistant stainless steel side and base panels, non-CFC polyurethane foam liner insulation, polyethylene hinged door, stand as the pre-requisite features of a world-class ice storage bin range. The moving parts in an ice storage bin are the door and the door hinges. These are the tell-tale, critical elements to be upgraded for long term, trouble-free operation.

Scotsman is proudly introducing its state-of-the-art, brand new SB range of ice storage bins.



Key Features



Fully removable door gasket seals door opening to reduce meltage and is easy to disassemble for manual cleaning.



Non-corroding polyethylene bin liner is designed with easy-to-clean rounded corners.



Internal ice deflector pushes freshly produced ice towards the back panel in order to maximize bin storage capacity.



Rounded door-lip profile allows an easy reach for enhanced ease of operation.



Non-CFC polyurethane foam insulation provides extra thick insulation, adding strength to bin resistance to ice weight.



External panels in durable stainless steel. Load resistant.

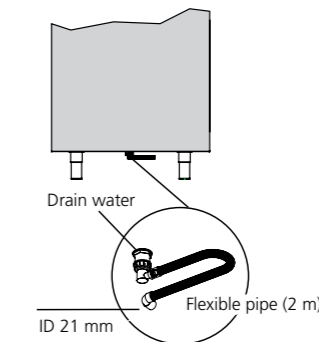


Robust door frame will resist operational abuse.



ABS plastic bin door, with built-in door hinges in stainless steel. Hinges are spring loaded for smooth and safe movement.

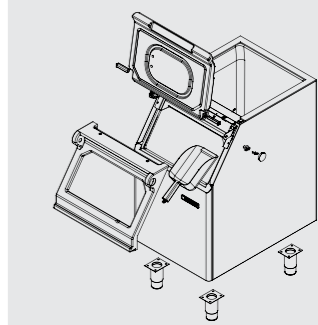
Storage bins base flexible drain hose conveniently rotates at 360° radius to allow ease-of-connection with any floor water drain position.



Perfect match (ice unit may be fixed to the ice storage bin).



Additional possible combination (unit may be positioned on the ice storage bin, but locking fixtures are non pre-arranged).



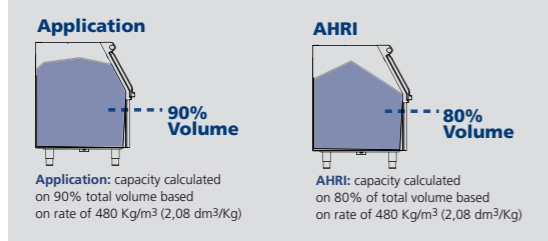
- New sleek, contemporary styling.
- Convenient, built-in scoop holder.
- Scoop incorporates antimicrobial Agion for better sanitation.
- Polyurethane Insulation, high density.
- Polyethylene bin interior, is sanitary and easy to clean, and resist scratches and scuffs from ice scoops.
- Stainless steel bin exterior, and door in rotocast plastic.
- Bin Caster available on request.

SB Series:

- SB193 = 129 Kg**
- SB322 = 168 Kg**
- SB393 = 181 Kg**
- SB530 = 243 Kg**
- SB550 = 252 Kg**
- SB948 = 406 Kg**
- SB1025 = 478 Kg**



Slope Front Ice Bin - SB Series



SB193

MF26 - 120 Kg
MF36 - 200 Kg

MF46 / 47 - 330 Kg
MF56 / 57 - 600 Kg
MFN46 - 270 Kg
MFN56 - 470 Kg
CBT22EFCO

MV306 - 154 Kg
MV426 - 225 Kg
MV430 - 210 Kg

		Use with:		
		Cube Ice Machines	Flake and Superflake Ice Machines	Nugget & Cubelet Ice Machines
Max storage capacity (Application)	129 kg	MV306	MF26	MFN46+CBT22EFCO
Max storage capacity (AHRI)	101 kg	MV426	MF36	MFN56+CBT22EFCO
Net weight	36 kg	MV430	MF46 / 47+CBT22EFCO	
Shipping weight	50 kg		MF56 / 57+CBT22EFCO	
Shipping dim. WxDxH	620x870x1050 mm			
Volume	0.57 m ³			

SB322

MF26 - 120 Kg
MF36 - 200 Kg

F 1222 - 445 Kg

MF46 / 47 - 330 Kg
MF56 / 57 - 600 Kg
CBT22EFCO

MFN46 - 270 Kg
MFN56 - 470 Kg
CBT22EFCO

N622 - 292 Kg

C 0522 - 201 Kg

MV306 - 154 Kg
MV426 - 225 Kg
MV430 - 210 Kg

		Use with:		
		Cube Ice Machines	Flake and Superflake Ice Machines	Nugget & Cubelet Ice Machines
Max storage capacity (Application)	168 kg	MV306	MF26	N 622
Max storage capacity (AHRI)	132 kg	MV426	MF36	MFN46+CBT22EFCO
Net weight	48 kg	MV430	MF46 / 47+CBT22EFCO	MFN56+CBT22EFCO
Shipping weight	62 kg	C 0522	MF56 / 57+CBT22EFCO	
Shipping dim. WxDxH	620x940x1310 mm		F 1222	
Volume	0.76 m ³			

SB393

MC16 Short - 172 Kg

MV306 - 154 Kg
MV426 - 225 Kg
MV430 - 210 Kg
CBT30EMCO

MV / P-MV456 - 240 Kg
MV 460 - 220 Kg
MV / P-MV606 - 320 Kg
MV / P-MV806 - 430 Kg
MV / P-MV1006 - 465 Kg

F1222 - 445 Kg
CBT30EFSO

MFN46 - 270 Kg
MFN56 - 470 Kg
CBT30EFSO

N622 - 292 Kg
CBT30EFSO

MF26 - 120 Kg
MF36 - 200 Kg
CBT30EFSO

MF46 / 47 - 330 Kg
MF56 / 57 - 600 Kg
MF58Split - 600 Kg
MF59Split - 850 Kg
CBT30EFSO

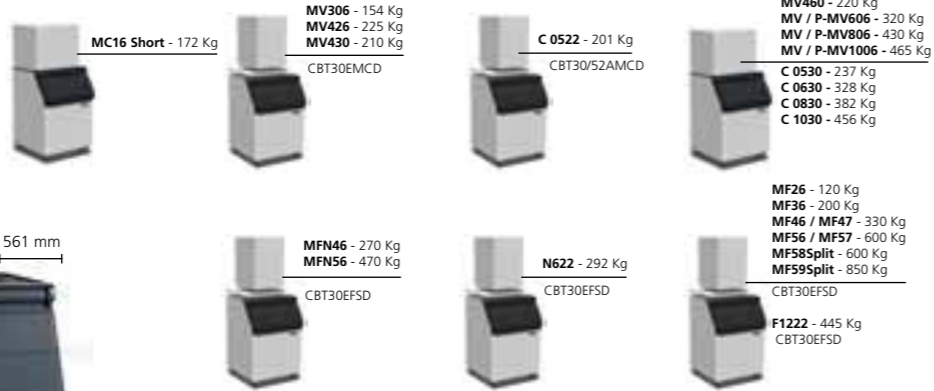
C0522 - 201 Kg
CBT30/52AMCO

		Use with:				
		Gourmet Cube Ice Machines	Cube Ice Machines	Nugget & Cubelet Ice Machines	Flake Ice Machines	Superflake Ice Machines
Max storage capacity (Application)	181 kg	MC16 Short	MV306+CBT30EMCO	MFN46+CBT30EFSO	MF26+CBT30EFSO	MF46 / 47+CBT30EFSO
Max storage capacity (AHRI)	141 kg		MV426+CBT30EMCO	MFN56+CBT30EFSO	MF36+CBT30EFSO	MF56 / 57+CBT30EFSO
Net weight	43 kg		MV430+CBT30EMCO	N622+CBT30EFSO	F1222+CBT30EFSO	MF58 Split+CBT30EFSO
Shipping weight	56 kg		MV / P-MV456			MF59 Split+CBT30EFSO
Shipping dim. WxDxH	822x885x1050 mm		MV 460			
Volume	0.76 m ³		MV / P-MV606			
			MV / P-MV806			
			MV / P-MV1006			
			C0522+CBT30/52AMCO			

Scotsman[®]

Ice Systems

SB530



Use with:				
Gourmet Cube Ice Machines	Cube Ice Machines	Nugget & Cubelet Ice Machines	Flake Ice Machines	Superflake Ice Machines
MC16 Short	MV306+CBT30EMCD	MFN46+CBT30EFS	MF26+CBT30EFS	MF46 / 47+CBT30EFS
	MV426+CBT30EMCD	MFN56+CBT30EFS	MF36+CBT30EFS	MF56 / 57+CBT30EFS
	MV430+CBT30EMCD	N622+CBT30EFS	F1222+CBT30EFS	MF58 Split+CBT30EFS
	MV / P-MV456			MF59 Split+CBT30EFS
	MV460			
	MV / P-MV606			
	MV / P-MV806			
	MV / P-MV1006			

Max storage capacity (Application)	243 kg
Max storage capacity (AHRI)	191 kg
Net weight	55 kg
Shipping weight	70 kg
Shipping dim. WxDxH	830x950x1310 mm
Volume	1.03 m ³

SB550



Use with:				
Gourmet Cube Ice Machines	Cube Ice Machines	Nugget & Cubelet Ice Machines	Flake Ice Machines	Superflake Ice Machines
MC16+CBT16	MV456+CBT42EMCD	MFN46+CBT42EFS	MF26+CBT42EFS	MF46 / 47+CBT42EFS
MC46	P-MV456+CBT42EMCD	MFN56+CBT42EFS	MF36+CBT42EFS	MF56 / 57+CBT42EFS
	MV460+CBT42EMCD	N622+CBT42EFS	F1222+CBT42EFS	MF58 Split+CBT42EFS
	MV606+CBT42EMCD			MF59 Split+CBT42EFS
	P-MV606+CBT42EMCD			
	MV806+CBT42EMCD			
	P-MV806+CBT42EMCD			
	MV1006+CBT42EMCD			
	P-MV1006+CBT42EMCD			

Max storage capacity (Application)	252 kg
Max storage capacity (AHRI)	197 kg
Net weight	48 kg
Shipping weight	63 kg
Shipping dim. WxDxH	1140x910x960 mm
Volume	1.0 m ³

SB948



Use with:				
Gourmet Cube Ice Machines	Cube Ice Machines	Nugget & Cubelet Ice Machines	Flake Ice Machines	Superflake Ice Machines
MC46+CBT48MCD	MV456+CTB48EAMCD	MFN46+CBT48FMD	F1222+CBT48FMD	MF46/ 47+CBT48FMD
	P-MV456+CTB48EAMCD	MFN56+CBT48FMD		MF56/57+CBT48FMD
	MV460+CTB48EAMCD	N622+CBT48FMD		MF58 Split+CBT48FMD
	MV606+CTB48EAMCD			MF59 Split+CBT48FMD
	P-MV606+CTB48EAMCD			MF68 Split+CBT48FMD
	MV806+CTB48EAMCD			MF69 Split+CBT48FMD
	P-MV806+CTB48EAMCD			
	MV1006+CTB48EAMCD			
	P-MV1006+CTB48EAMCD			
	C0530+CTB48EAMCD			
	C0630+CTB48EAMCD			
	C0830+CTB48EAMCD			
	C1030+CTB48EAMCD			
	C1448			
	C1848			
	C2148			

Max storage capacity (Application)	406 kg
Max storage capacity (AHRI)	319 kg
Net weight	73 kg
Shipping weight	97 kg
Shipping dim. WxDxH	1300x930x1310 mm
Volume	1.58 m ³

SB1025



Use with:				
Gourmet Cube Ice Machines	Cube Ice Machines	Nugget & Cubelet Ice Machines	Flake Ice Machines	Superflake Ice Machines
MC46+CBT52MCD	MV/P-MV456+CBT52EAMCD	MFN46+CBT52FMD	F1222+CBT52FMD	MF46/47+CBT52FMD
	MV460+CBT52EAMCD	MFN56+CBT52FMD		MF56/57+CBT52FMD
	MV/P-MV606+CBT52EAMCD	N622+CBT52FMD		MF58 Split+CBT52FMD
	MV/P-MV806+CBT52EAMCD			MF59 Split+CBT52FMD
	MV/P-MV1006+CBT52EAMCD			MF68 Split+CBT52FMD
	C0530+CBT52EAMCD			MF69 Split+CBT52FMD
	C0630+CBT52EAMCD			
	C0830+CBT52EAMCD			
	C1030+CBT52EAMCD			
	C1448+CBT30/52AMCD			
	C1848+CBT30/52AMCD			
	C2148+CBT30/52AMCD			

Max storage capacity (Application)	478 kg
Max storage capacity (AHRI)	375 kg
Net weight	80 kg
Shipping weight	104 kg
Shipping dim. WxDxH	1395x940x1310 mm
Volume	1.7 m ³



Upright Storage Ice Bin - UBH Series

Upright, single and double door Ice Storage Bin, for Flake, Superflake, Nugget, Cubelet and Scale ice.

- Convenient multi position ice deflector prevents ice spillage and assists during ice loading operations.
- To accelerate flow during ice extraction, ice paddle (and hanging bracket) are accessories.



- Bin door is spring loaded for safe usage and tight seal of storage compartment. Made in durable rotocast plastic, is light yet durable, withstanding typical rough handling of industrial or food retail environments.
- Bin door frame is sturdy and ergonomic, accommodating the hinge mechanism of our state of the art bin door. Easily removed during cleaning routine.
- High density, non-corroding polyethylene bin liner, is designed with easy-to-clean rounded corners, and resists scratches and scuffs from ice scoops.
- Polyurethane Insulation assures long periods of ice storage, reducing ice melt.
- Sliding polyethylene inspection windows are handy for visual control and initial paddle operation.
- Load resistant, stainless steel adjustable legs, with flanged feet.
- Storage bin base flexible drain hose conveniently rotates at 360° radius to allow ease-of-connection with any floor water drain position.
- Ice Paddle in polyethylene as supplied as standard.

Key Features



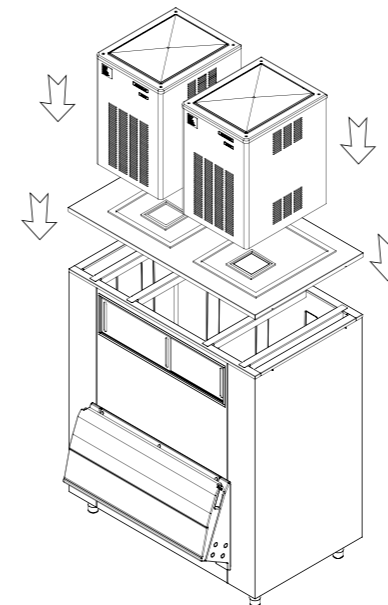
Ice paddle



Inspection windows

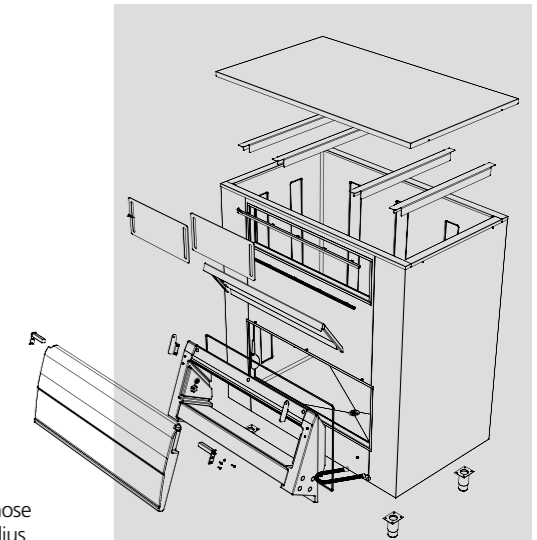
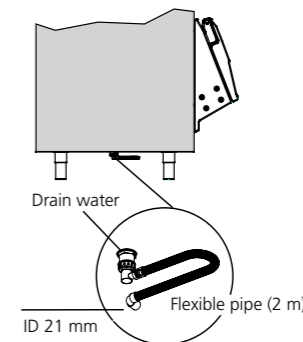
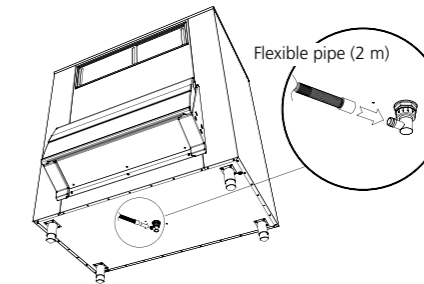


Bin door opening in first in - first out fashion

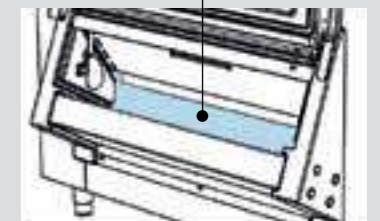


Easy to match with any ice maker.
Maximum bearable weight: 500 kg.

Storage bin base flexible drain hose conveniently rotates at 360° radius to allow ease-of-connection with any floor water drain position.



- New sleek, contemporary styling.
- A perfect match to MF, MFN, N and MAR Scotsman modular Food Retail and Industrial cube ice machines.
- Stainless steel exterior, frame, sides, top, back and bottom.
- Heavy duty welded construction.
- Pre-cut top panel, to accommodate multiple Scotsman icemakers.
- Ice is stored in polyethylene bin interior, sanitary and easy to clean, resist scratches and scuffs from ice scoops, paddles and shovels.
- Ice flows from ice machine, to storage, to bin door opening in first in - first out fashion, for assured ice freshness.



"Fresh Ice"

UBH Series:

- UBH1100 = 553 Kg**
- UBH1600 = 812 Kg**
- UBH2250 = 1068 Kg**



UBH1100

MC46 - 310 Kg

F 1222 - 445 Kg

MFN46 - 270 Kg
MFN56 - 470 Kg
N622 - 292 Kg

MF46 / MF47 - 330 Kg
MF56 / MF57 - 600 Kg
MF58 Split - 600 Kg
MF59 Split - 850 Kg
MF68 Split - 1200 Kg
MF69 Split - 1900 Kg

MAR78 - 510 Kg
MAR108 - 700 Kg
MAR128 - 1000 Kg

ES1014 - 1000 Kg

MV / P-MV456 - 240 Kg
MV460 - 220 Kg
MV / P-MV606 - 320 Kg
MV / P-MV806 - 430 Kg
MV / P-MV1006 - 465 Kg

C 0530 - 237 Kg
C 0630 - 328 Kg
C 0830 - 382 Kg
C 1030 - 456 Kg
C 1448 - 657 Kg
C 1848 - 807 Kg
C 2148 - 884 Kg

MAR56 - 380 Kg
MAR76 - 510 Kg
MAR106 - 700 Kg
MAR126 - 1000 Kg



Use with:					
Gourmet Cube Ice Machines	Cube Ice Machines	Nugget & Cubelet Ice Machines	Flake Ice Machines	Superflake Ice Machines	Scale Ice Machines
MC46	MV / P-MV456	MFN46	F1222	MF46 / 47	MAR56
	MV460	MFN56		MF56 / 57	MAR76
	MV / P-MV606	N622		MF58 Split	MAR106
	MV / P-MV806			MF59 Split	MAR126
	MV / P-MV1006			MF66	MAR78
	C 0530 / C 0630			MF68 Split	MAR108
	C 0830 / C 1030 / C 1448			MF69 Split	MAR128
	C 1848 / C 2148				ES1014

Max storage capacity (Application)	553 kg
Max storage capacity (AHRI)	434 kg
Net weight	142 kg
Shipping weight	164 kg
Shipping dim. WxDxH	1270x1180x1590 mm
Volume	2.4 m ³

UBH1600



Use with:					
Gourmet Cube Ice Machines	Cube Ice Machines	Nugget & Cubelet Ice Machines	Flake Ice Machines	Superflake Ice Machines	Scale Ice Machines
MC46	MV / P-MV606	MFN56	F1222	MF56 / 57	MAR56
MC1210	MV / P-MV806	N622		MF58 Split	MAR76
	MV / P-MV1006			MF59 Split	MAR106
	C 0630 / C 0830			MF66	MAR126
	C 1030 / C 1448			MF68 Split	MAR78
	C 1848 / C 2148			MF69 Split	MAR108
					MAR128
					ES1014
					EC10 / 15

UBH2250

MC1210 - 600 Kg

C1848 - 807 Kg
C2148 - 884 Kg

MF59 Split - 850 Kg
MF68 Split - 1200 Kg
MF69 Split - 1900 Kg
MF86 - 2500 Kg
MFN86 - 1900 Kg

MF66 - 1200 Kg

MAR126 - 1000 Kg
MAR206 - 1570 Kg
MAR306 - 2050 Kg

MAR128 - 1000 Kg
MAR208 - 1580 Kg
MAR308 - 2200 Kg

ES1014 - 1000 Kg

EC10 / 15 / 20 - 2000 Kg
ES1014 - 1400 Kg



Use with:					
Gourmet & Cube Ice	Nugget & Cubelet Ice Machines	Superflake Ice Machines	Scale Ice Machines		
MC1210	MFN86	MF66	MAR126		
C1848	MFN88 Split	MF59 Split	MAR206		
	C2148	MF68 Split	MAR306		
		MF 69 Split	MAR128		
		MF 86	MAR208		
		MF88 Split	MAR308		
			EC10 / 15 / 20		
			ES1014		

Max storage capacity (Application)	1068 kg
Max storage capacity (AHRI)	838 kg
Net weight	272 kg
Shipping weight	296 kg
Shipping dim. WxDxH	1880x1525x1450 mm
Volume	4.16 m ³



Storage Ice Shuttle - SIS Series

Suspended, Single door, Ice Storage Bin with Ice Shuttle cart(s), for Cube, Flake, Superflake, Nugget, Cubelet and Scale ice.

- No more ice transferring operations from your storage: ice is gravity-fed into the shuttle cart. And to distribute your ice at the usage

point, ice shuttle cart(s) are equipped with easy to use and hygienically proven ice totes (accessory).

- Convenient multi position ice guillotine prevents ice spillage and assists during ice loading operations.
- To accelerate flow during ice extraction, ice paddle (and hanging bracket) are available standard.
- Storage compartment bin door is spring loaded for safe usage and tight seal. Made in durable rotocast plastic, is light yet durable, withstanding typical rough handling of busy working environments.
- Bin door frame is sturdy and ergonomic, accommodating the hinge mechanism of Scotsman state of the art bin door.
- Polyurethane Insulation assures long periods of ice storage, reducing ice melt.
- Sliding polyethylene inspection windows are handy for visual control and initial paddle operation.
- Load resistant, stainless steel adjustable legs, have flanged feet for stability and ease of height adjustment.
- Heavy-duty frame, hosts base with built-in drain for bin and cart. Drain connection is reversible.
- Each SIS Ice Storage and Shuttle System is shipped with it's own Shuttle cart(s).
- Ice Paddle in polyethylene as supplied as standard.

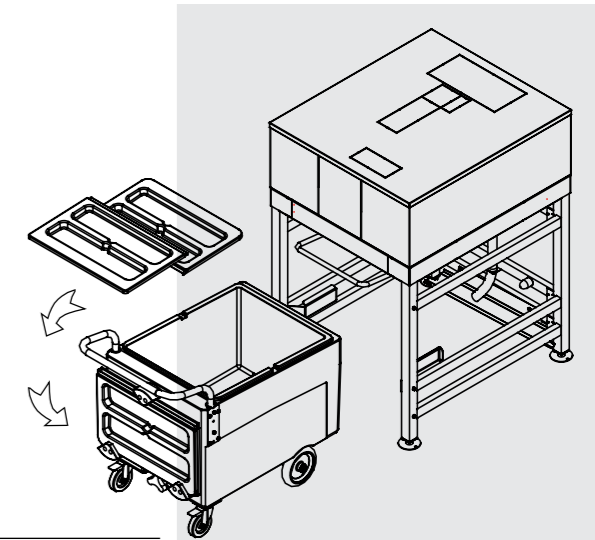


Key Features



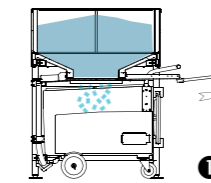
Ice falls from ice machine into storage compartment, with polyethylene interior, sanitary and easy to clean. It is allowed into the shuttle carts through a guillotine-style dosage system, first in-first out fashion, for assured ice freshness.

- Shuttle carts are wheeled at the usage point, with little effort and maximum ice hygiene.
- Shuttle cart(s) bay is equipped with melting ice water drainage system, easily connected the floor water drain.
- A manual drain activation system is easily operated to properly dispose of drain water while shuttle cart is positioned in its load position.
- Six ice totes (accessory) fit conveniently in the Shuttle cart(s), and may be covered with the shuttle lids for longer storage periods.
- High density, non-corroding polyethylene Ice Shuttle interior is designed with easy-to-clean rounded corners, and resists scratches and scuffs from ice scoops.
- Ice Shuttle handle-bar is in 304 stainless steel with anti-slip rubber treatment, for ease of steering and durability.

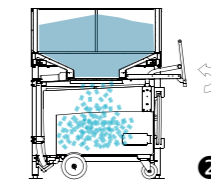


TO LOAD

Pull guillotine to open ice passage.

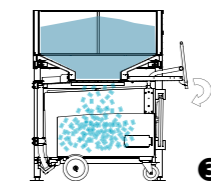


Raise guillotine handle in safety position.

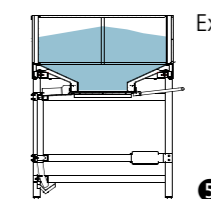
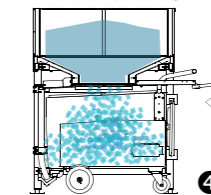


TO CLOSE

Lower handle into operating position.



Push to close ice passage.



Extract ice shuttle from loading bay.

- New sleek, contemporary styling. A perfect match to MC, MV, MF, MFN and N Scotsman modular HoReCa, Food Retail and Industrial cube ice machines.
- Stainless steel exterior for both storage and frame.
- Storage compartment is heavy duty.
- Frame can be pre-assembled or shipped as kit. In this case, castered cart is loaded within the ice storage compartment, for reduced freight and storage costs.
- Pre-cut top panel, to accommodate multiple Scotsman icemakers.



SIS Series:

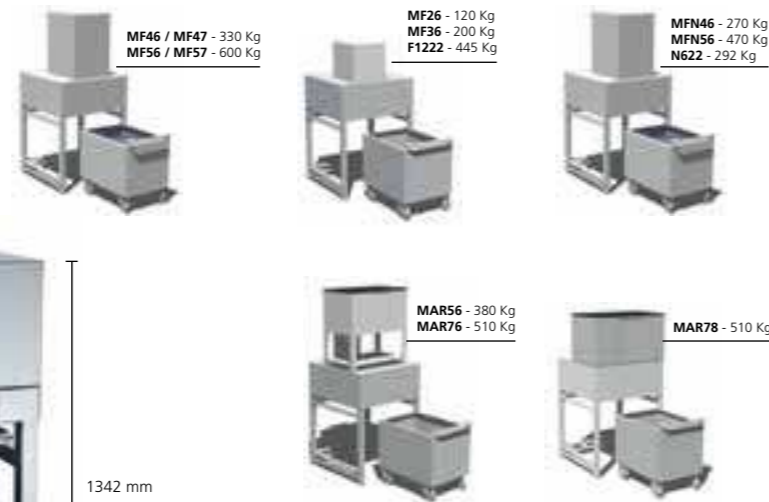
SIS300 = 137 Kg

SIS700 = 318 Kg

SIS1350 = 613 Kg



SIS300

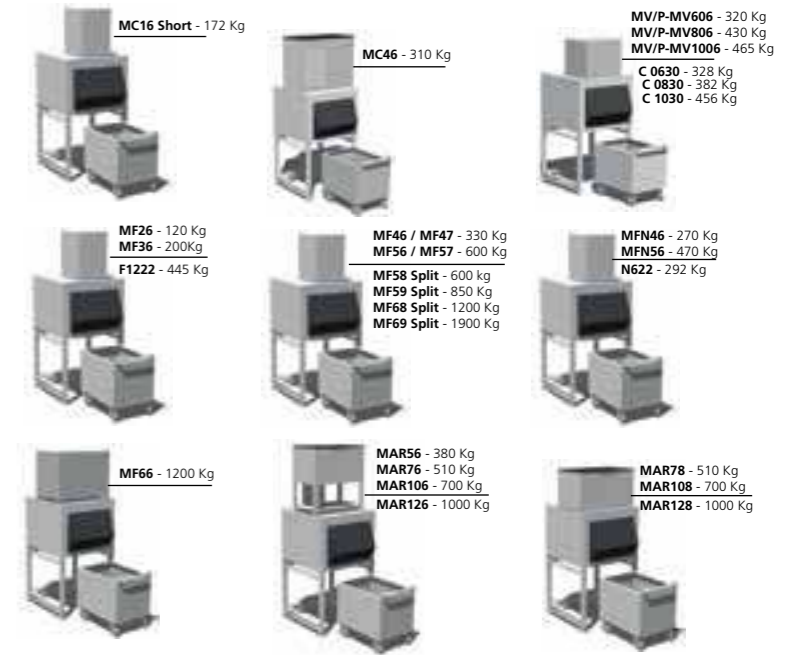


Use with:				
Nugget & Cubelet Ice Machines	Flake Ice Machines	Superflake Ice Machines	Scale Ice Machines	
MFN46	MF26	MF46 / 47	MAR56	
MFN56	MF36	MF56 / 57	MAR76	
N622	F1222		MAR78	

Max storage capacity (Application)	137+73=210 kg with cart			
Max storage capacity (AHRI)	107+73 kg=180 kg with cart			
Net weight	120 kg			
Shipping weight	162 kg			
Shipping dim. WxDxH	1130x1325x1495 mm			
Volume	2.24 m ³			

Item is shipped pre-assembled.

SIS700



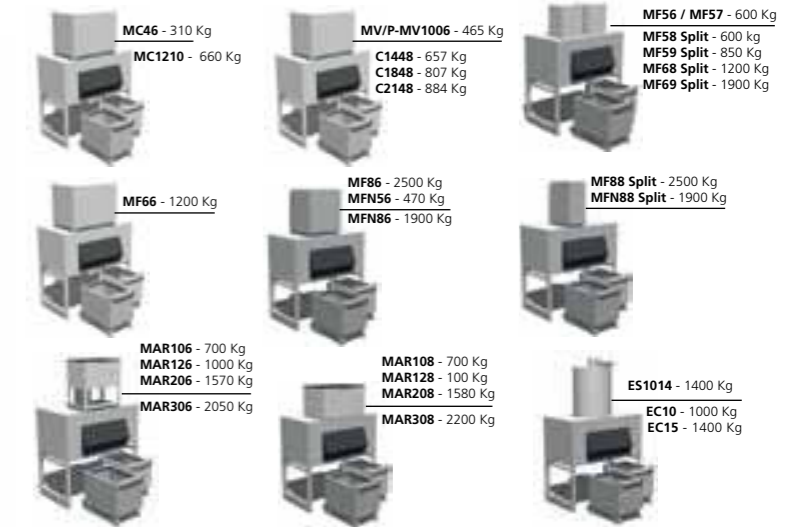
Use with:					
Gourmet Cube Ice Machines	Cube Ice Machines	Nugget & Cubelet Ice Machines	Flake Ice Machines	Superflake Ice Machines	Scale Ice Machines
MC16 Short*	MV/P-MV606*	MFN46	MF26	MF46 / 47	MAR56
MC46*	MV/P-MV806*	MFN56	MF36	MF56 / 57	MAR76
	MV/P-MV1006*	N622	F1222	MF58 / 59 Split	MAR106
	C0630*			MF68 / 69 Split	MAR126
	C0830*			MF66	MAR78
	C1030*				MAR108
					MAR128

Max storage capacity (Application)	318+73=391 kg with cart
Max storage capacity (AHRI)	249+73 kg=322 kg with cart
Net weight	161 kg
Shipping weight	198 kg
Shipping dim. WxDxH	1130x1330x1070 mm
Volume	1.6 m ³

Item is shipped in knocked-down form; shipment as pre-assembled upon request.

*Please contact Technical Department for special instructions.

SIS1350



Use with:				
Gourmet Cube Ice Machines	Cube Ice Machines	Nugget & Cubelet Ice Machines	Superflake Ice Machines	Scale Ice Machines
MC46*	MV/P-MV1006*	MFN56	MF56 / 57	MAR106
MC1210*	C1448*	MFN86	MF58 / 59 Split	MAR126
	C1848*	MFN88 Split	MF68 / 69 Split	MAR206
	C2148*		MF66	MAR306
			MF86	MAR108
			MF88 Split	MAR128
				MAR208
				MAR308
				E51014
				EC10/15

Max storage capacity (Application)	613+73+73=759 kg with 2 carts
Max storage capacity (AHRI)	481+73 +73 kg=627 kg with 2 carts
Net weight	347 kg
Shipping weight	390 kg
Shipping dim. WxDxH	1130x1330x1940 mm
Volume	2.91 m ³

Item is shipped in knocked-down form; shipment as pre-assembled upon request.

*Please contact Technical Department for special instructions.



RBC STAND and Ice Carts



Insulated Cart made of double insulated plastic, with nylon wheels and ergonomic handle for easy maneuverability; water drain with faucet.



	RBC 200	RBC 300	RBC 500
Max storage capacity (Application)	100 kg	150 kg	250 kg
Max storage capacity (AHRI)	n.a.	n.a.	n.a.
Net weight	22 kg	36 kg	42 kg
Shipping weight	31 kg	45 kg	51 kg
Shipping dim. WxDxH	850x950x840 mm	850x950x840 mm	1050x1350x1020 mm
Volume	0.678 m ³	0.88 m ³	1.446 m ³



SIS Ice Carts



Removable steel handle, with anti-slip protection.



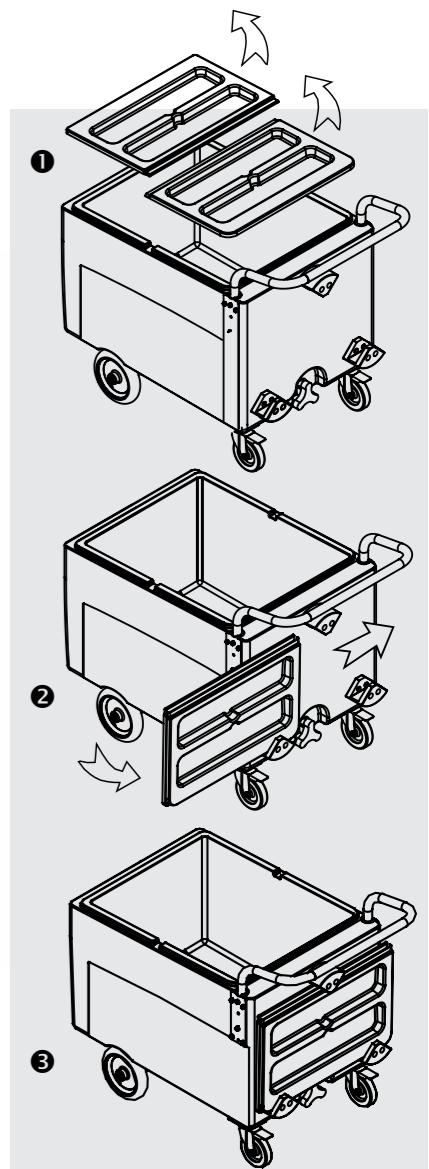
Storage cart with high insulation and drainage tap.



Supporting covers.



Polyethylene bin interior, is sanitary and easy to clean, resist scratches and scuffs from ice scoops.



Capacity 73 Kg
Dimensions:
• width 63,6 cm
• depth 108,8 cm
• height 89,8 cm



SIS Cart Totes
Max 6 Totes per Ice Cart (optional)
Capacity 16 liters
Dimensions:
• width 31,4 cm
• depth 17,5 cm
• height 38,7 cm

Scotsman®

Ice Systems

Ice the world demands



www.scotsman-ice.it
www.scotsman-ice.com
www.scotsman-ice-on-tablet.com

EUROPE

Europe, Africa and Middle East
Scotsman Ice Systems
Frimont S.p.A. - Via Puccini, 22
20010 Pogliano Milanese - Milan - Italy
Ph: +39-02-93960208 - Fax: +39-02-93960201
scotsman.europe@frimont.it

USA

USA, Canada, Latin America
Scotsman Ice Systems USA
775 Corporate Woods Parkway
Vernon Hills, IL 60061
Ph: +847-215-4550 - Fax: +847-913-9844
customer.service@scotsman-ice.com

CHINA

Scotsman Ice Systems (Shanghai) Co., Ltd.
Room 2505, Building 2
20 Xuhong Middle Road, Xuhui District
Shanghai China 200235
Main line: +86-21-6131 3205/3200
Fax: +86-86-21 6131 3330
Mobile: +86-13764342320
sales@scotsman-china.com
service@scotsman-china.com

ASIA AND PACIFIC

Scotsman Industries (S) PTE. LTD.
1 Commonwealth Lane #09-22
One Commonwealth
Singapore 149544
Ph: +65-6738-5393 - Fax: +65-6738-1959
scotsman@scotsman.com.sg



MIDDLE EAST & NORTH AFRICA

Scotsman-Frimont Regional Office (ME&NA)
POBox: 42026, Sharjah, UAE
HFZA Bonded Warehouse No. 1k-10/1
Ph: +9716-5262-944/945
Fax: +9716-5262-946
Mob. Ph.+971-505-505-980
Skype: mdawood331393
m.dawood@frimont.ae
fernando.m@frimont.ae

SOUTH AFRICA

Scotsman Ice Systems SA (Pty) Ltd
P.O. Box 44 - Riverclub - 2149
Lakeview Business Park
Unit 4, 8 - 10 Yaldwyn Road
Jetpark, Boksburg
Ph: +27-11-826-6742/1
+27 087-720 0245/6/7/8
Fax: +27-11 826 4123
+27-086-634-0803
stuart@scotsmansa.co.za
jennifer@scotsmansa.co.za

SPAIN

Scotsman España, S.L.U. - c/ Galapagar, 12
Poligono Industrial Ventorro del Cano
28925 Alcorcon (Madrid)
Ph: +34-91-1109796 - Fax: +34-91-6337423
E-mail: scotsman@scotsman-espana.es
www.scotsman-espana.es

INDIA

Scotsman Group India
Gurgaon One Complex - GT1-5A
Sector 22, Old Gurgaon/Jaipur Rd
Haryana, 122015
India
Tel.: +91-124-4002459 - direct +91- 9560072459
david.owen@scotsman.com.sg

Models and technical specifications may change without notice.