

www.blackanddecker.eu

BXMM1000E
BXMA1000E

EN

FR

DE

IT

ES

PT

NL

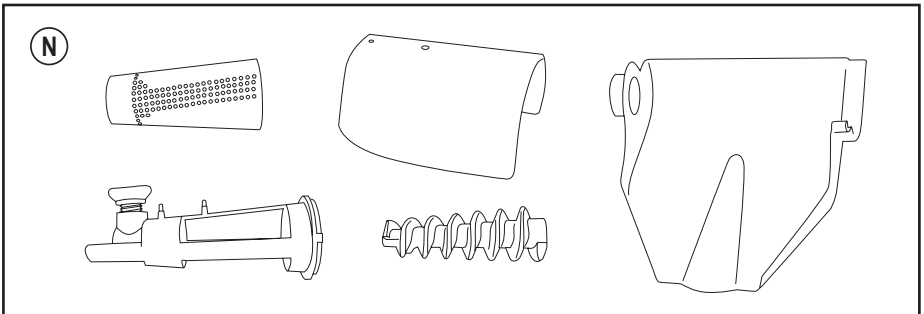
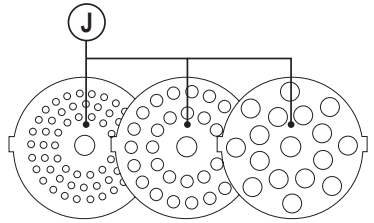
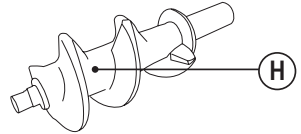
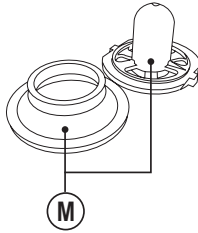
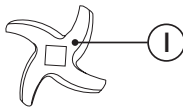
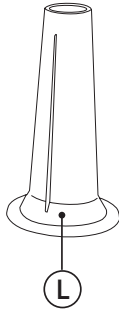
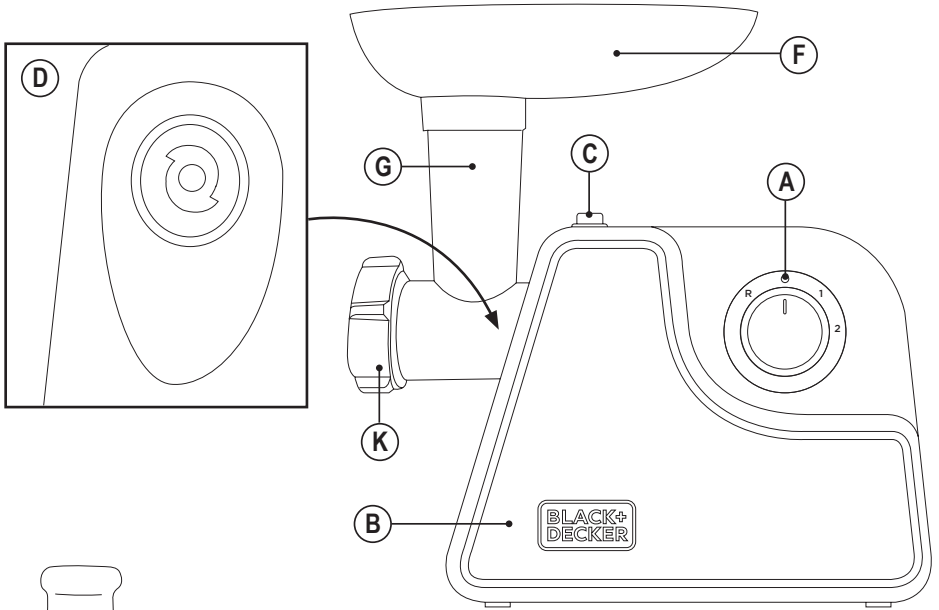
PL

EL

RU

RO

BG



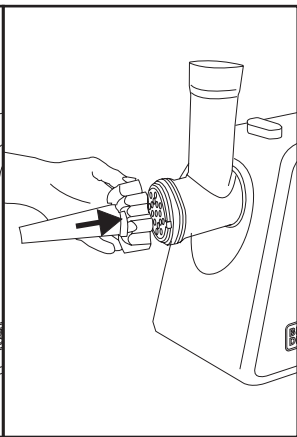
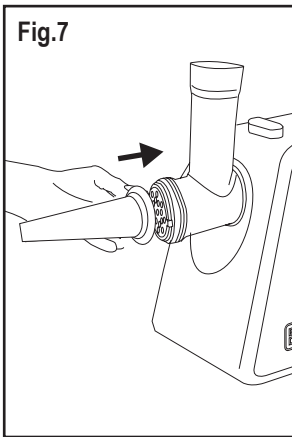
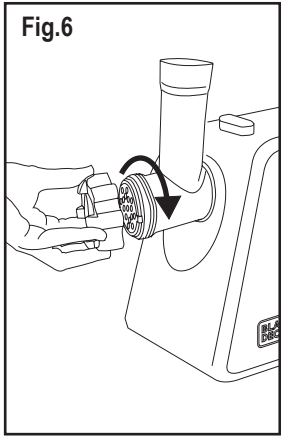
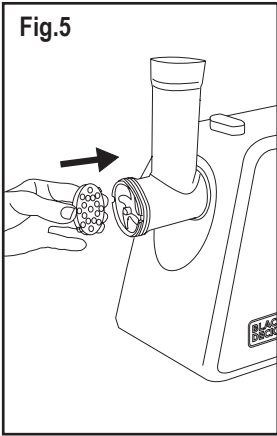
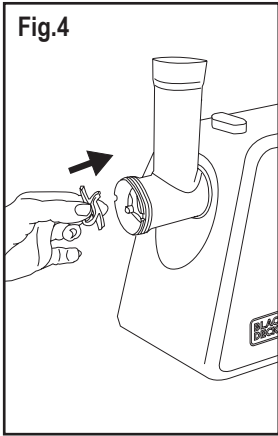
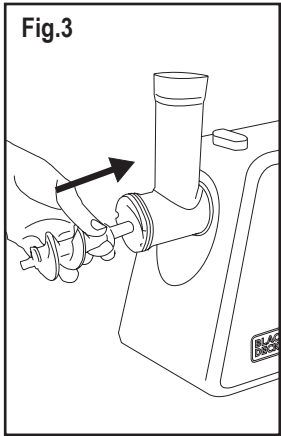
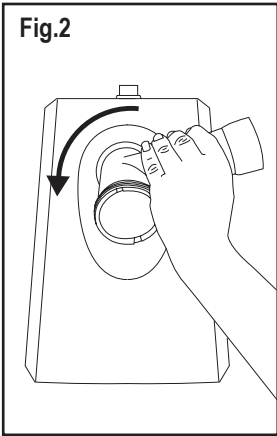
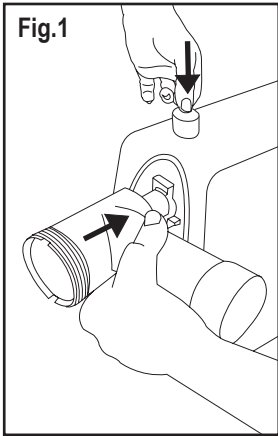


Fig.8

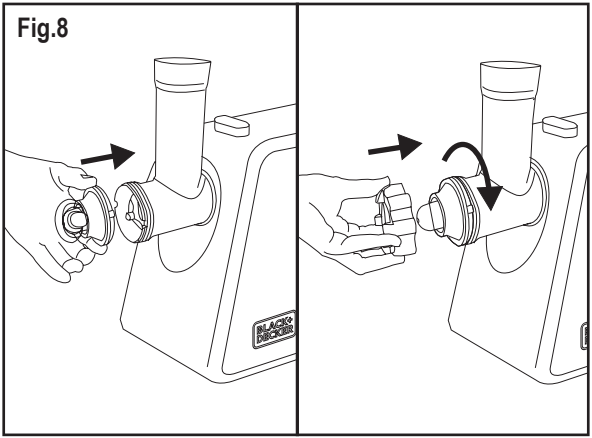
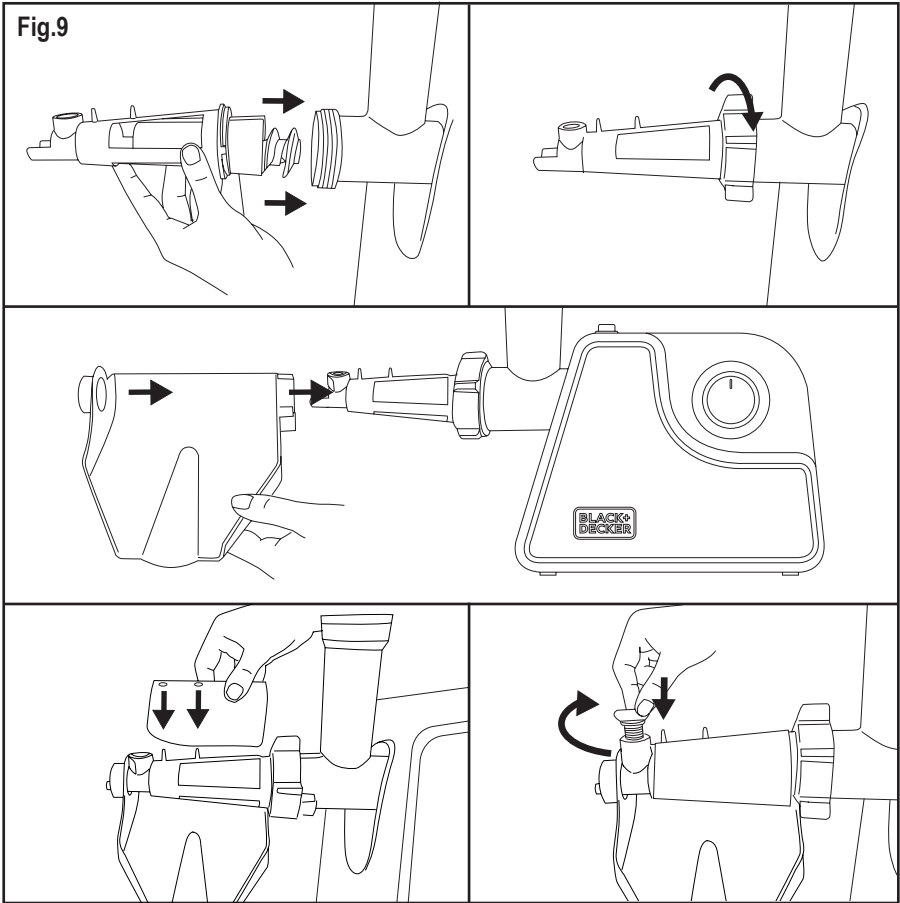


Fig.9



MEAT MINCER

BXMM1000E

BXMMA1000E

Dear customer,

Many thanks for choosing to purchase a Black+Decker brand product.

Thanks to its technology, design and operation and the fact that it exceeds the strictest quality standards, a fully satisfactory use and long product life can be assured.

SAFETY ADVICE AND WARNINGS

- ◆ Read these instructions carefully before switching on the appliance and keep them for future reference. Failure to follow and observe these instructions could lead to an accident.
- ◆ Clean all the parts of the product that will be in contact with food, as indicated in the cleaning section, before use.
- ◆ This appliance shall not be used by children. Keep the appliance and its cord out of reach of children.
- ◆ This appliance can be used by people with reduced physical, sensory or mental capabilities or lack of experience and knowledge if they have been given supervision or instruction concerning use of the appliance in a safe way and understand the hazards involved.
- ◆ This appliance is not a toy. Children should be supervised to ensure that they do not play with the appliance.
- ◆ Blades are sharp and could cause harm, be careful and avoid direct contact with the blades' cutting edges.
- ◆ Pay special attention when handling the blades, during assembly and disassembly operations, emptying the bowl and during cleaning.
- ◆ Always switch off the appliance and disconnect from supply if it is left unattended and before changing accessories or approaching parts that move in use, assembling, disassembling and cleaning.
- ◆ CAUTION: In order to avoid a hazard due to inadvertent resetting of the thermal protector, this appliance must not be supplied through an external switching device, such as a timer, or connected to a circuit that is regularly switched on and off by the utility.
- ◆ If the connection to the mains has been damaged, it must be replaced, take the appliance to an authorised technical support service. Do not attempt to disassemble or repair the appliance by yourself in order to avoid a hazard.
- ◆ This appliance is for household use only, not professional, industrial use.
- ◆ Ensure that the voltage indicated on the rating label matches the mains voltage before plugging in the appliance.
- ◆ Connect the appliance to a socket that can supply a minimum of 10 amperes.

- ♦ The appliance's plug must fit into the mains socket properly. Do not alter the plug. Do not use plug adaptors.
- ♦ Do not place the appliance on hot surfaces, such as cooking plates, gas burners, ovens or similar.
- ♦ The appliance must be used and placed on a flat, stable surface.
- ♦ Do not use the appliance if the cable or plug is damaged.
- ♦ If any of the appliance casings breaks, immediately disconnect the appliance from the mains to prevent the possibility of an electric shock.
- ♦ Do not use the appliance if it has fallen on the floor, if there are visible signs of damage or if it has a leak.
- ♦ Do not force the power cord. Never use the power cord to lift up, carry or unplug the appliance.
- ♦ Check the state of the power cord. Damaged or tangled cables increase the risk of electric shock.
- ♦ Supply cord should be regularly examined for signs of damage, and if the cord is damaged, the appliance must not be used.
- ♦ Do not use or store the appliance outdoors.
- ♦ Do not touch the plug with wet hands.
- ♦ Take the necessary measures to avoid starting the appliance involuntarily.
- ♦ Do not touch any of the appliance's moving parts while it is operating.
- ♦ Exercise precaution after employing the stop operation on the appliance as the blade/s will continue moving from the effect of its own mechanical inertia.
- ♦ The temperature of the accessible surfaces may be high when the appliance is in use.

Use and care:

- ♦ Fully unroll the appliance's power cable before each use.
- ♦ Do not use the appliance if its accessories are not properly fitted.
- ♦ Do not use the appliance if the accessories attached to it are defective. Replace them immediately.
- ♦ Do not use the appliance if the on/off switch does not work.
- ♦ Do not move the appliance while in use.
- ♦ Do not force the appliance's work capacity.
- ♦ Store this appliance out of reach of children and/or persons with physical, sensory or reduced mental or lack of experience and knowledge.
- ♦ Keep the appliance in good condition. Check that the moving parts are not misaligned or jammed and make sure there are no broken parts or anomalies that may prevent the appliance from operating correctly.
- ♦ Use the appliance and its accessories and tools in

accordance with these instructions, taking into account the working conditions and the work to be performed. Use the appliance for operations different from those intended could result in a hazardous situation.

- ♦ To push the food, always use the food pusher. Never use your fingers or other accessories.
- ♦ Never leave the appliance unattended while in use.
- ♦ Do not use the appliance for more than 3 minutes at any one time.
- ♦ Do not use the appliance with frozen goods or those containing bones.

Service:

- ♦ Any misuse or failure to follow the instructions for use renders the guarantee and the manufacturer's liability null and void.

DESCRIPTION

A Switch button (ON/OFF/Reverse)

B Body

C Mincing head lock button

D Mincing head installation place

E Pusher

F Tray

G Mincing head

H Screw

I Crossed blade

J Cutting plate (3 sizes)

K Fixing ring

L Sausage

M Kebbe

N Tomato juicer (*)

(*) Only available in the model BXMMMA1000E.

If the model of your appliance does not have the accessories described above, they can also be bought separately from the Technical Assistance Service.

INSTRUCTIONS FOR USE

Before use:

- ♦ Make sure that all products' packaging has been removed.
- ♦ Before using the product for the first time, clean the parts that will come into contact with food in the manner described in the cleaning section.
- ♦ Prepare the appliance according to the function you wish to use.

Use:

- ◆ Unroll the cable completely before plugging it in.
- ◆ Prepare the appliance with the accessory required according to the food to be prepared.
- ◆ Cut all foods into pieces (sinew less, boneless and fatless meats is recommended, approximate size: 20x20x-60mm) so that they fit easily into the hopper opening.
- ◆ Connect the appliance to the mains.
- ◆ Turn the appliance on, by selection position 1 on switch buttons.
- ◆ Feed food into the tray using only the food pusher to introduce it into the mincing head.

Once you have finished using the appliance:

- ◆ Turn the appliance off, using the on/off switch. Select "0" position.
- ◆ Unplug the appliance from the mains.
- ◆ Clean the appliance.

Accessories:**Cutting plates (J):**

- ◆ These cutting plates allow mincing meat with a coarser or finer texture depending on the size of the holes of the disc.
- ◆ Press the lock button (C), hold the head and insert it into the inlet (when inserting please pay attention the head must be slanted as per arrow indicated on the top) (Fig.1). Then move the head anticlockwise so that the head is fastened tightly. (Fig.2).
- ◆ Insert the screw through the outlet mouth of the mincing head. (Fig.3).
- ◆ Place the cutting blade into the screw with the cutting edge pointing to the front. (Fig.4). If it is not fitted properly, meat will not be minced.
- ◆ Insert one of the three cutting plates next to the cutting blade, fitting the outlets of the cutting plate in the notches of the outlet mouth edge of the mincing head. (Fig.5).
- ◆ Screw the fixing ring tightly in the outlet mouth of the mincing head turning clockwise to fit the screw, blade and cutting plate. (Fig.6).
- ◆ Position the tray at the top of the mincing head.

Nozzle for filling sausages (L):

- ◆ Press the lock button (C), hold the head and insert it into the inlet (when inserting please pay attention the head must be slanted as per arrow indicated on the top) (Fig.1). Then move the head anticlockwise so that the head is fastened tightly. (Fig.2).

- ◆ Insert the screw through the outlet mouth of the mincing head. (Fig.3).
- ◆ Place the cutting blade in the screw with the cutting edge pointing to the front. (Fig.4).
- ◆ Insert the cutting plate with largest holes in the screw, fitting the outlets of the cutting plate in the notches of the outlet mouth edge of the mincing head. (Fig.5).
- ◆ Insert the nozzle for filling sausages via the fixing ring. (Fig.7).
- ◆ Screw the fixing ring tightly in the outlet mouth of the mincing head turning clockwise to fit the screw, blade and nozzle. (Fig.6).
- ◆ Position the tray at the top of the mincing head.

Accessory for Kebbe (M):

- ◆ Press the lock button (C), hold the head and insert it into the inlet (when inserting please pay attention the head must be slanted as per arrow indicated on the top) (Fig.1). Then move the head anticlockwise so that the head is fastened tightly. (Fig.2).
- ◆ Insert the screw through the outlet mouth of the mincing head. (Fig.3).
- ◆ Insert the accessory for base Kebbe in the screw and position the other Kebbe accessory on top, fitting the outlets in the edge notches of the filling mouth. (Fig.8).
- ◆ Screw the fixing ring tightly turning clockwise to fit the accessories for Kebbe in the screw. (Fig.6).
- ◆ Position the tray at the top of the mincing head.

Tomato juicer accessory (N):

- ◆ This accessory permits you to separate the seeds and pulp of the tomato to extract the juice.
- ◆ Insert the mincing head into the motor body, and secure it with the blade retaining clamp.
- ◆ Insert the worm screw through the mouth of the mincing head. (Fig.3).
- ◆ Insert the tomato accessory, fitting the protrusions with the slots on the edge of the filler neck. Tighten the locking ring firmly by screwing it clockwise until the accessory fits into the worm screw. (Fig.9).
- ◆ Fit the pressure control valve, the anti-spatter guard and the tray for collecting the juice.

Reverse function:

- ◆ In case of jamming, switch off the appliance pressing switch to "R" position.
- ◆ The screw will be rotating in the opposite direction, and the head will get empty.
- ◆ If it does not work, switch off the appliance and clean it.

- ◆ Wait for one minute before and after the reverse function.

If the motor blocks:

- ◆ If the motor moves slowly or stops, it could be due to the food in the blender blocking the chopper. In that case, use the direction changer switch. To do this; place the ON/OFF switch in position 0, press the direction changer switch. Using the worm screw to perform this operation the food will become decompacted (pay attention in this inverse turn situation as part of the food could come out of the filling tube/tray). Deactivate the opposite direction turn by follow the previous procedure in reverse.
- ◆ If the motor continues to be blocked, unplug the appliance from the mains and demount its accessories.

CLEANING

- ◆ Disconnect the appliance from the mains and allow it to cool before undertaking any cleaning task.
- ◆ Clean the equipment with a damp cloth with a few drops of washing-up liquid and then dry.
- ◆ Do not use solvents, or products with an acid or base pH such as bleach, or abrasive products, for cleaning the appliance.
- ◆ Never submerge the appliance in water or any other liquid or place it under running water.
- ◆ During the cleaning process, take special care with the blades, as they are very sharp.
- ◆ It is advisable to clean the appliance regularly and remove any food remains.
- ◆ Neither parts of this appliance are suitable for cleaning in the dishwasher.
- ◆ Then dry all parts before its assembly and storage.

ANOMALIES AND REPAIR

- ◆ Take the appliance to an authorised technical support service if product is damaged or other problems arise. Do not attempt to disassemble or repair the appliance yourself as this may be dangerous.

WARRANTY AND TECHNICAL ASSISTANCE

- ◆ This product enjoys the recognition and protection of the legal guarantee in accordance with current legislation. To enforce your rights or interests you must go to any of our official technical assistance services.
- ◆ You can find the closest one by accessing the following web link: <http://www.2helpu.com/>.
- ◆ You can also request related information, by contacting us (see the last page of the manual).

- ◆ You can download this instruction manual and its updates at <http://www.2helpu.com/>.

For EU product versions and/or in case that it is requested in your country:

Ecology and recyclability of the product

- ◆ The materials of which the packaging of this appliance consists are included in a collection, classification and recycling system. Should you wish to dispose of them, use the appropriate public recycling bins for each type of material.
- ◆ The product does not contain concentrations of substances that could be considered harmful to the environment.



This symbol means that in case you wish to dispose of the product once its working life has ended; take it to an authorised waste agent for the selective collection of Waste from Electric and Electronic Equipment (WEEE).

This appliance complies with Directive 2014/35/EU on Low Voltage, Directive 2014/30/EU on Electromagnetic Compatibility, Directive 2011/65/EU on the restrictions of the use of certain hazardous substances in electrical and electronic equipment and Directive 2009/125/EC on the ecodesign requirements for energy-related products.

ROBOT HACHOIR À VIANDE

BXMM1000E

BXMM1000E

Cher Client,

Nous vous remercions d'avoir acheté un produit Black+Decker. Sa technologie, son design et sa fonctionnalité, outre sa parfaite conformité aux normes de qualité les plus strictes, vous permettront d'en tirer une longue et durable satisfaction.

CONSEILS ET MESURES DE SÉCURITÉ

- ◆ Lire attentivement cette notice d'instructions avant de mettre l'appareil en marche, et la conserver pour la consulter ultérieurement. Le non-respect de ces instructions peut être source d'accident.
- ◆ Avant la première utilisation, laver les parties en contact avec les aliments comme indiqué à la section nettoyage.
- ◆ Cet appareil ne doit pas être utilisé par des enfants. Tenir l'appareil et sa fiche hors de portée des enfants.
- ◆ Cet appareil peut être utilisé par des personnes ayant des capacités physiques, sensorielles ou mentales réduites ou des personnes manquant d'expérience à condition de le faire sous surveillance ou après avoir reçu les instructions pour un maniement sûr de l'appareil et en ayant compris les risques qu'il comporte.
- ◆ Cet appareil n'est pas un jouet. Les enfants doivent être surveillés afin de s'assurer qu'ils ne jouent pas avec l'appareil.
- ◆ Les lames sont aiguisées et vous pourriez vous blesser. Agissez avec précaution en évitant tout contact direct avec son tranchant.
- ◆ Il faudra être particulièrement attentif lorsque vous manipulerez les lames lors du montage / démontage, au moment de vider le bol et durant le nettoyage.
- ◆ Arrêter et débrancher l'appareil du réseau électrique si vous ne l'utilisez pas et avant toute opération de nettoyage, d'ajustage, recharge ou changement d'accessoires
- ◆ **PRÉCAUTION** : Afin d'éviter tout danger dû au réarmement accidentel de la sécurité thermique, cet appareil ne doit pas être alimenté par un dispositif interrupteur externe, comme un minuteur, ni branché sur un circuit régulièrement allumé et éteint par le fournisseur d'énergie électrique.
- ◆ Si la prise de secteur est abîmée, elle doit être remplacée; emmener l'appareil à un Service d'Assistance Technique agréé. Il est dangereux de tenter de procéder aux réparations ou de démonter l'appareil soi-même.
- ◆ Cet appareil est uniquement destiné à un usage domestique et non à un usage professionnel ou industriel.

- ♦ Avant de brancher l'appareil au secteur, s'assurer que la tension indiquée sur la plaque signalétique correspond à celle du secteur.
- ♦ Brancher l'appareil sur une prise de courant raccordée à la terre et supportant au moins 10 ampères.
- ♦ La prise de courant (fiche) de l'appareil doit coïncider avec le socle de la prise de courant. Ne jamais modifier la fiche de l'appareil. Ne pas utiliser d'adaptateurs.
- ♦ Ne pas placer l'appareil sur des surfaces chaudes, plaques de cuisson, cuisinières à gaz, fours ou similaires.
- ♦ L'appareil doit être utilisé et placé sur une surface plane et stable.
- ♦ Ne pas utiliser l'appareil si son câble électrique ou sa prise sont endommagés.
- ♦ Si une des enveloppes protectrices de l'appareil se casse, débrancher immédiatement l'appareil du secteur pour éviter toute décharge électrique.
- ♦ Ne pas utiliser l'appareil s'il est tombé, s'il présente des signes visibles de dommages ou en présence de fuites.
- ♦ Ne pas forcer le câble électrique. Ne jamais utiliser le câble électrique pour soulever, transporter ou débrancher l'appareil.
- ♦ Vérifier l'état du câble électrique de connexion. Les câbles endommagés ou emmêlés augmentent le risque de décharge électrique.
- ♦ Ne pas exposer l'appareil aux intempéries.
- ♦ Ne pas toucher la prise de raccordement avec les mains mouillées.
- ♦ Prendre les précautions nécessaires pour éviter de mettre en marche involontairement l'appareil.
- ♦ Ne pas toucher les parties mobiles de l'appareil en marche.
- ♦ Lorsque vous arrêterez l'appareil, faire très attention, puisque l'outil continuera à tourner par inertie mécanique.
- ♦ Quand l'appareil est mis en marche, la température des surfaces accessibles peut être élevée.

Utilisation et entretien :

- ♦ Avant chaque utilisation, dérouler complètement le câble électrique de l'appareil.
- ♦ Ne pas utiliser l'appareil si ses accessoires ne sont pas correctement assemblés.
- ♦ Ne pas utiliser l'appareil si les accessoires qui lui sont assemblés présentent des défauts. Le cas échéant, les remplacer immédiatement.
- ♦ Ne pas utiliser l'appareil si son dispositif de mise en marche/arrêt ne fonctionne pas.
- ♦ Ne pas bouger ou déplacer l'appareil durant son

fonctionnement

- ♦ Ne pas forcer la capacité de travail de l'appareil.
- ♦ Conserver cet appareil hors de portée des enfants ou des personnes ayant des capacités physiques, sensorielles ou mentales réduites ou présentant un manque d'expérience et de connaissances.
- ♦ Maintenir l'appareil en bon état. Vérifier que les parties mobiles ne sont pas désalignées ou entravées, qu'il n'y a pas de pièces cassées ou d'autres conditions qui pourraient affecter le bon fonctionnement de l'appareil.
- ♦ Utiliser cet appareil, ses accessoires et outils conformément au mode d'emploi, en tenant compte des conditions de travail et du travail à réaliser. L'utilisation de l'appareil pour des opérations autres que celles pour lesquelles il a été conçu pourrait impliquer des situations dangereuses.
- ♦ Exercer une pression sur les aliments préalablement introduits à travers l'entonnoir, et ce, toujours à l'aide du poussoir, jamais avec les doigts ou d'autres accessoires.
- ♦ Ne pas laisser l'appareil sans surveillance durant son fonctionnement.
- ♦ Ne pas utiliser l'appareil plus de 3 minutes consécutives
- ♦ Ne pas utiliser l'appareil avec des aliments surgelés ou des os.

Entretien:

- ♦ Toute utilisation inappropriée ou non conforme aux instructions d'utilisation annule la garantie et la responsabilité du fabricant.

DESCRIPTION

A Bouton (ON/OFF/Reverse)
 B Corps
 C Bouton de fixation
 D Zone d'installation de la tête
 E Poussoir
 F Plateau
 G Tête du hachoir
 H Vis de rotation continue
 I Lame
 J Plaques de coupe (3 tailles)
 K Bride de fixation
 L Entonnoir à saucisses
 M Adaptateur à Kebbés
 N Accessoire pour sauce tomate (*)

(*) Uniquement disponible pour le modèle BXMMMA1000E.

Dans le cas où votre modèle ne disposerait pas des accessoires décrits antérieurement, ceux-ci peuvent être achetés séparément auprès des services d'assistance technique.

MODE D'EMPLOI

Consignes préalables :

- ◆ Assurez-vous que vous avez retiré tout le matériel d'emballage du produit.
- ◆ Avant la première utilisation, laver les parties en contact avec les aliments comme indiqué à la section de nettoyage.
- ◆ Préparer l'appareil conformément à la fonction désirée :

Utilisation :

- ◆ Dérouler complètement le câble avant de le brancher.
- ◆ Préparer l'appareil avec les accessoires nécessaires, en fonction du type d'aliment que vous aller utiliser.
- ◆ Couper tous les aliments en morceaux (il est recommandé d'utiliser de la viande sans nerfs, ni graisse et sans os, ayant environ les mesures suivantes : 20 x 20 x 60 mm) afin de pouvoir les introduire facilement à travers la trémie d'entrée.
- ◆ Brancher l'appareil au secteur.
- ◆ Mettre l'appareil en marche, en sélectionnant la position 1 sur le bouton.
- ◆ Introduire les aliments sur la plaque de la trémie en utilisant uniquement le plateau de pression pour les introduire dans le tube d'alimentation.
- ◆ Travailler l'aliment désiré.
- ◆ Afin d'éviter un démarrage trop brutal, ce dernier doit est progressif.

Après utilisation de l'appareil :

- ◆ Arrêter l'appareil en appuyant sur l'interrupteur de marche/arrêt. Choisir la position "0".
- ◆ Débrancher l'appareil du réseau électrique.
- ◆ Nettoyer l'appareil.

Accessoires :

Grilles à viande (J) :

- ◆ Les grilles à viande permettent le hachage de la viande, avec une texture plus grosse ou plus fine selon la taille des orifices du disque.
- ◆ Appuyer sur le bouton de pression (C), soutenir la tête de l'appareil et l'introduire dans l'entrée. Après avoir effectué cette opération, en faisant très attention que l'angle de la tête soit celui indiqué par la flèche de la partie supérieure, voir (Fig.1). Par la suite, tourner la tête dans le sens antihoraire jusqu'à ce qu'elle soit bien fixée. (Fig.2).
- ◆ Introduire la vis sans fin à travers l'embouchure de sortie de la tête du hachoir. (Fig. 3) (Fig.3).

- ◆ Assembler la lame à la vis avec la face coupante pointant vers l'extérieur. (Fig.4). Si celle-ci n'est pas correctement installée, la viande ne se hachera pas
- ◆ Introduire l'une des trois grilles à viande dans la vis sans fin, en emboîtant les bords de la grille à viande dans les encoches du bord de l'embouchure de la tête du hachoir. (Fig.5).
- ◆ Serrer fermement la bride de fixation à l'embouchure de la tête du hachoir en la faisant tourner dans le sens horaire jusqu'à assembler la vis, la lame et la grille à viande. (Fig.6).
- ◆ Placer le plateau sur la partie supérieure de la tête du hachoir.

Entonnoir à saucisses (L) :

- ◆ Appuyer sur le bouton de pression (C), soutenir la tête de l'appareil et l'introduire dans l'entrée. Après avoir effectué cette opération, en faisant très attention que l'angle de la tête soit celui indiqué par la flèche de la partie supérieure, voir (Fig.1). Par la suite, tourner la tête dans le sens antihoraire jusqu'à ce qu'elle soit bien fixée. (Fig.2).
- ◆ Introduire la vis à travers l'embouchure de sortie de la tête du hachoir. (Fig.3).
- ◆ Assembler la lame à la vis avec la face coupante pointant vers l'extérieur. (Fig.4).
- ◆ Introduire la grille à viande avec les plus grands orifices, dans la vis, en emboîtant les bords de la grille à viande dans les encoches du bord de l'embouchure de la tête du hachoir. (Fig.5).
- ◆ Introduire l'entonnoir à saucisses à travers la bride de fixation. (Fig.7).
- ◆ Serrer fermement la bride de fixation à l'embouchure de la tête du hachoir en la faisant tourner dans le sens horaire jusqu'à assembler la vis, la lame et la grille à viande. (Fig.6).
- ◆ Placer le plateau sur la partie supérieure de la tête du hachoir.

Adaptateur à Kebbés (M) :

- ◆ Appuyer sur le bouton de pression (C), soutenir la tête de l'appareil et l'introduire dans l'entrée. Après avoir effectué cette opération, en faisant très attention que l'angle de la tête soit celui indiqué par la flèche de la partie supérieure, voir (Fig.1). Par la suite, tourner la tête dans le sens antihoraire jusqu'à ce qu'elle soit bien fixée. (Fig.2).
- ◆ Introduire la vis à travers l'embouchure de sortie de la tête du hachoir. (Fig.3).
- ◆ Assembler l'adaptateur à Kebbés à la vis et placer

l'autre adaptateur à Kebbés sur la partie supérieure en emboîtant dans les encoches du bord de la Bouche de remplissage. (Fig.8).

- ♦ Serrer fermement la bride de fixation en la faisant tourner dans le sens horaire jusqu'à assembler les adaptateurs à Kebbés dans la vis. (Fig.6).
- ♦ Placer le plateau sur la partie supérieure de la tête du hachoir.

Accessoire tomate (N)

- ♦ Cet accessoire permet de séparer les graines et la pulpe de la tomate pour obtenir son jus.
- ♦ Appuyer sur le bouton de pression (C), soutenir la tête de l'appareil et l'introduire dans l'entrée. Après avoir effectué cette opération, en faisant très attention que l'angle de la tête soit celui indiqué par la flèche de la partie supérieure, voir (Fig.1). Par la suite, tourner la tête dans le sens antihoraire jusqu'à ce qu'elle soit bien fixée. (Fig.2).
- ♦ Introduire la vis sans fin à travers l'embouchure de sortie de la tête du hachoir. (Fig.3).
- ♦ Assembler l'adaptateur tomate en emboîtant dans les encoches du bord de la bouche de remplissage. Serrer fermement la bride de fixation en la faisant tourner dans le sens horaire jusqu'à assembler l'accessoire dans la vis (Fig.9).
- ♦ Placer la vanne de contrôle de pression, le protecteur anti-éclaboussures et le plateau pour recueillir le jus.

Fonction autoreverse :

- ♦ Si une obstruction se produit, éteindre l'appareil en tournant le bouton jusqu'à la position « R ».
- ♦ La vis sans fin tournera dans le sens inverse et la tête se videra.
- ♦ Si cela ne fonctionne pas, le débrancher et le nettoyer.
- ♦ Patienter une minute avant et après la fonction inverse.

Si le moteur est bloqué :

- ♦ Si le moteur est lent ou s'arrête, c'est peut-être parce que l'aliment en cours de traitement bloque le hachoir. Dans ce cas, utiliser le commutateur en marche arrière. Pour cela, mettre l'interrupteur sur la 0 et appuyer sur le bouton de marche arrière. En effectuant cette opération, la vis sans fin dégagera l'aliment (attention dans cette situation d'inversion de rotation, une partie de la nourriture peut s'échapper à travers le tube / bac de remplissage). Désactiver la rotation vers la gauche en procédant à l'inverse de ce qui a été expliqué ci-dessus.
- ♦ Si le moteur est toujours bloqué, débrancher l'appareil et retirer les accessoires.

Sécurité thermique :

- ♦ L'appareil dispose d'un dispositif de sécurité qui protège l'appareil de toute surchauffe.
- ♦ Si l'appareil se déconnecte tout seul et que vous ne parvenez pas à le reconnecter, débranchez-le et attendez environ 15 minutes avant de le rebrancher. S'il ne fonctionne toujours pas, faites appel à l'un des services d'assistance technique autorisés.

NETTOYAGE

- ♦ Débrancher l'appareil du secteur et attendre son refroidissement complet avant de le nettoyer.
- ♦ Nettoyer l'appareil avec un chiffon humide imprégné de quelques gouttes de détergent et le laisser sécher.
- ♦ Ne pas utiliser de solvants ni de produits au pH acide ou basique tels qu'eau de Javel, ni de produits abrasifs pour nettoyer l'appareil.
- ♦ Ne pas immerger l'appareil dans l'eau ou tout autre liquide, ni le passer sous un robinet.
- ♦ Durant le processus de nettoyage, faire particulièrement attention aux lames, car elles sont très coupantes.
- ♦ Il est recommandé de nettoyer l'appareil régulièrement et de retirer tous les restes d'aliments.
- ♦ Aucune des parties de cet appareil n'est adaptée à un nettoyage au lave-vaisselle.
- ♦ Veillez à bien sécher toutes les pièces avant de remonter l'appareil et de le ranger.

ANOMALIES ET RÉPARATION

- ♦ En cas de panne, remettre l'appareil à un service d'assistance technique agréé. Il est dangereux de tenter de procéder aux réparations ou de démonter l'appareil soi-même.

GARANTIE ET ASSISTANCE TECHNIQUE

- ♦ Ce produit est reconnu et protégé par la garantie établie conformément à la législation en vigueur. Pour faire valoir vos droits ou intérêts, vous devrez vous adresser à l'un de nos services d'assistance technique agréés.
- ♦ Pour savoir lequel est le plus proche, vous pouvez accéder au lien suivant: <http://www.2helpu.com/>.
- ♦ Vous pouvez aussi nous contacter pour toute information (veuillez consulter la dernière page du manuel).
- ♦ Vous pouvez télécharger ce manuel d'instructions et ses mises à jour sur <http://www.2helpu.com/>.

Pour les versions UE du produit et/ou en fonction de la législation du pays d'installation :

Écologie et recyclage du produit

- ◆ Les matériaux constitutifs de l'emballage de cet appareil font partie d'un programme de collecte, de tri et de recyclage. Si vous souhaitez vous débarrasser du produit, merci de bien vouloir utiliser les conteneurs publics appropriés à chaque type de matériau.
- ◆ Le produit ne contient pas de substances concentrées susceptibles d'être considérées comme nuisibles à l'environnement.



Ce symbole signifie que si vous souhaitez vous débarrasser de l'appareil, en fin de vie utile, celui-ci devra être consigné, en prenant les mesures adaptées, à un centre agréé de collecte sélective des déchets d'équipements électriques et électroniques (DEEE).

Cet appareil est certifié conforme à la directive 2014/35/UE de basse tension, de même qu'à la directive 2014/30/UE en matière de compatibilité électromagnétique, à la directive 2011/65/UE relative à la limitation de l'utilisation de certaines substances dangereuses dans les équipements électriques et électroniques et à la directive 2009/125/CE sur les conditions de conception écologique applicable aux produits en rapport avec l'énergie.

FLEISCHWOLF

BXMM1000E

BXMMA1000E

Sehr geehrte Kunden,

Wir danken Ihnen, dass Sie sich für den Kauf der Marke Black+Decker entschieden haben.

Die Technologie, das Design und die Funktionalität dieses Produkts, das die anspruchsvollsten Qualitätsnormen erfüllt, werden Sie über viele Jahre zufriedenstellen.

RATSCHLÄGE UND SICHERHEITSHINWEISE

- ◆ Lesen Sie die Gebrauchsanweisung sorgfältig, bevor Sie das Gerät einschalten und bewahren Sie diese zum Nachschlagen zu einem späteren Zeitpunkt auf. Werden die Hinweise dieser Bedienungsanleitung nicht beachtet und eingehalten, kann es zu Unfällen kommen.
- ◆ Vor der Erstanwendung müssen die Einzelteile, die mit Nahrungsmitteln in Kontakt geraten, so wie im Absatz Reinigung beschrieben, gereinigt werden.
- ◆ Kinder dürfen dieses Gerät nicht benutzen. Das Gerät und seinen Netzanschluss stets außerhalb der Reichweite von Kindern halten.
- ◆ Dieses Gerät ist nicht geeignet für die Verwendung durch Personen mit eingeschränkter Wahrnehmung oder verminderten physischen oder geistigen Fähigkeiten oder einem Mangel an Erfahrung und Kenntnissen, sofern sie nicht durch eine für ihre Sicherheit verantwortliche Person beaufsichtigt oder bei der Bedienung angeleitet werden und die möglichen Gefahren verstehen.
- ◆ Dieses Gerät ist kein Spielzeug. Kinder müssen beaufsichtigt werden, damit sie nicht mit dem Gerät spielen.
- ◆ Die Messer sind sehr scharf und können Verletzungen verursachen. Gehen Sie vorsichtig mit ihnen um und vermeiden Sie den direkten Kontakt mit ihren Schneiden.
- ◆ Seien Sie besonders vorsichtig beim Handhaben der Messer beim Einsetzen und Abnehmen von Bauteilen, Leeren der Schüssel und bei der Reinigung.
- ◆ Schalten Sie das Gerät aus und ziehen Sie den Stecker aus dem Netz, wenn Sie das Gerät unbeaufsichtigt lassen oder Zubehör oder bewegliche Teile auswechseln wollen, sowie vor der Montage, Demontage und der Reinigung.
- ◆ **ACHTUNG** Um die Gefahr, die von einer unerwünschten Rückstellung des Thermoschutzes ausgeht, auszuschließen, sollte das Gerät nicht über eine externe Schaltvorrichtung, wie beispielsweise eine Zeitschaltuhr, betrieben oder an eine Leitung angeschlossen werden, die regelmäßig vom Stromversorgungsunternehmen ein- und ausgeschaltet wird.

- ◆ Wenn der Netzstecker beschädigt ist, muss er ausgetauscht werden. Bringen Sie das Gerät zu diesem Zweck zu einem zugelassenen Kundendienst. Um jegliche Gefahr auszuschließen, versuchen Sie nicht selbst, den Stecker abzumontieren und zu reparieren.
- ◆ Dieses Gerät ist ausschließlich für den häuslichen Gebrauch ausgelegt und ist für professionelle oder gewerbliche Zwecke nicht geeignet.
- ◆ Vergewissern Sie sich, dass die Spannung auf dem Typenschild mit der Netzspannung übereinstimmt, bevor Sie den Apparat an das Stromnetz anschließen.
- ◆ Das Gerät an ein Stromnetz mit mindestens 10 Ampere anschließen.
- ◆ Der Stecker des Geräts muss mit dem Steckdosentyp des Stromanschlusses übereinstimmen. Der Gerätestecker darf unter keinen Umständen modifiziert werden. Keine Adapter für den Stecker verwenden.
- ◆ Das Gerät nicht auf heiße Oberflächen sowie Kochplatten, Gasbrenner, Ofen oder Ähnliches stellen.
- ◆ Das Gerät muss auf einer ebenen und standfesten Oberfläche aufgestellt und benutzt werden.
- ◆ Das Gerät darf nicht mit beschädigtem elektrischem Kabel oder Stecker verwendet werden.
- ◆ Sollte ein Teil der Geräteverkleidung beschädigt sein, ist die Stromzufuhr umgehend zu unterbrechen, um einen möglichen elektrischen Schlag zu vermeiden.
- ◆ Das Gerät nicht benutzen, wenn es heruntergefallen ist, sichtbare Schäden aufweist oder undicht ist.
- ◆ Nicht mit Gewalt am elektrischen Anschlusskabel ziehen. Benutzen Sie das elektrische Kabel nicht zum Anheben oder Transportieren des Geräts. Den Stecker nicht am Kabel aus der Dose ziehen.
- ◆ Überprüfen Sie das elektrische Verbindungskabel. Beschädigte oder verwickelte Kabel erhöhen das Risiko von elektrischen Schlägen.
- ◆ Das Gerät nicht im Freien benutzen oder aufbewahren.
- ◆ Berühren Sie den Stecker nicht mit feuchten Händen.
- ◆ Treffen Sie die erforderlichen Maßnahmen, um ein unbeabsichtigtes Inbetriebsetzen des Geräts zu verhindern.
- ◆ Bewegliche Teile des Geräts während dem Betrieb nicht

berühren.

- ◆ Seien Sie nach dem Ausschalten des Gerätes vorsichtig und beachten Sie die durch die mechanische Trägheit verursachte Nachlaufzeit der/des Messers.
- ◆ Die zugänglichen Oberflächen können sehr heiß werden, während das Gerät in Betrieb ist.

Benutzung und Pflege:

- ◆ Vor jedem Gebrauch des Geräts das Stromkabel vollständig abwickeln.
- ◆ Gerät nicht benutzen, wenn Zubehör oder Ersatzteile nicht richtig befestigt sind.
- ◆ Gerät nicht benutzen, wenn die Zubehörteile mangelhaft sind. Ersetzen Sie diese sofort.
- ◆ Benützen Sie das Gerät nicht, wenn der An-/Ausschalter nicht funktioniert.
- ◆ Das Gerät nicht bewegen, während es in Betrieb ist.
- ◆ Betriebskapazität des Geräts nicht überbeanspruchen.
- ◆ Das Gerät außerhalb der Reichweite von Kindern und/oder Personen mit eingeschränkten körperlichen, sensorischen oder geistigen Fähigkeiten bzw. Personen ohne ausreichende Erfahrung und Kenntnisse aufbewahren.
- ◆ Halten Sie das Gerät in gutem Zustand. Stellen Sie sicher, dass die beweglichen Teile ausgerichtet und nicht verklemt sind, und dass keine beschädigten Teile oder andere Bedingungen vorliegen, die den Betrieb des Geräts behindern können.
- ◆ Verwenden Sie dieses Gerät, seine Zubehörteile und seine Werkzeuge gemäß diesen Anleitungen und unter Berücksichtigung der Arbeitsbedingungen und der zu verrichtenden Arbeit. Der Gebrauch des Gerätes für andere als die vorgesehenen Zwecke kann gefährlich sein.
- ◆ Verwenden Sie immer den Stopfer, um Lebensmittel in den Einfüllschacht des Entsafters zu drücken. Niemals nur die Finger oder andere Hilfsmittel zum Eindrücken verwenden.
- ◆ Das Gerät nicht unbeaufsichtigt lassen, während es in Betrieb ist.
- ◆ Verwenden Sie das Gerät nicht länger als 3 Minuten in einem Ablauf
- ◆ Verwenden Sie das Gerät nicht mit tiefgefrorenen Lebensmitteln oder Knochen.

Betrieb:

- ◆ Unsachgemäße Verwendung bzw. Nichteinhaltung der Gebrauchsanweisung kann Gefahren zur Folge haben und führt zum Erlöschen der Garantieansprüche sowie der Haftung des Herstellers.

BEZEICHNUNG

- A Schalter (EIN/AUS/Zurück)
- B Gehäuse
- C Befestigungstaste
- DBereich für die Montage des Kopfes
- E Stopfer
- F Tropfschale
- G Fleischwolfkopf
- H Rotationschraube
- I Messer
- J Schneideplatten (3 Größen)
- K Befestigungsrand
- L Stutzer für Würste
- M Zubehör für Kebbe
- N Zubehör für Tomatensoße (*)

(*) Nur für Modell BXMMMA1000E verfügbar.

Wenn Sie meinen, dass das Gerät nicht mit dem oben angeführten Zubehör ausgestattet ist, können Sie die Teile auch einzeln beim Technischen Dienst erwerben.

BENUTZUNGSHINWEISE

Vor der Benutzung:

- ♦ Vergewissern Sie sich, dass Sie das gesamte Verpackungsmaterial des Produkts entfernt haben.
- ♦ Vor der Erstanwendung müssen die Einzelteile, die mit Nahrungsmitteln in Kontakt geraten, so wie im Absatz Reinigung beschrieben, gereinigt werden.
- ♦ Das Gerät für die von Ihnen bestimmte Funktion vorbereiten.

Benutzung:

- ♦ Vor Anschluss das Kabel völlig ausrollen.
- ♦ Vorbereitung des Geräts mit erforderlichem Zubehör entsprechend des zu verarbeitenden Lebensmittels.
- ♦ -Schneiden Sie alle Nahrungsmittel in Stücke (Sehnenloses, knochenloses und fettfreies Fleisch wird empfohlen, ungefähre Größe: 20x20x60 mm), damit diese leicht in die Trichteröffnung passen.
- ♦ Schließen Sie das Gerät an das Stromnetz an.
- ♦ Einschalten des Geräts und Einstellen des Schalters auf Position 1.
- ♦ Geben Sie die Lebensmittel nur mit der Druckplatte in die Trichteröffnung, um sie in den Lebensmittelschacht einzuführen.
- ♦ Bearbeiten Sie das gewünschte Lebensmittel.
- ♦ Um einen zu abrupten Start zu vermeiden, erfolgt die Ibetriebsnahme des Geräts progressiv.

Nach der Benutzung des Geräts:

- ♦ Stellen Sie das Gerät mit dem An-/Ausmacher ab. Wählen Sie die Position „0“.
- ♦ Den Stecker aus der Netzdose ziehen.
- ♦ Reinigen Sie das Gerät.

Zubehör:

Schneideplatten (J):

- ♦ Diese Schneideplatten ermöglichen das Zerhacken des Fleisches, wobei je nach Größe der Löcher in der Platte für eine gröbere oder feinere Beschaffenheit gesorgt wird.
- ♦ Drücken Sie die Befestigungstaste (C), halten Sie den Kopf fest und fügen Sie ihn in den Einlass. Achten Sie dabei darauf, dass der Kopf so wie der Pfeil auf der Oberseite darauf hinweist geneigt werden muss, siehe (Fig.1). Dann bewegen Sie die Kopf gegen den Uhrzeigersinn, damit dieser Kopf angemessen befestigt wird. (Fig.2).
- ♦ Fügen Sie die Endlosschraube durch die Auslassöffnung des Fleischwolfkopfes ein. (Fig.3).
- ♦ Setzen Sie die Klinge auf die Schraube mit der schneidenden Seite nach außen. (Fig.4). Wenn sie nicht richtig eingesetzt ist, wird das Fleisch nicht zerkleinert.
- ♦ Fügen Sie eine der Schneideplatten in die Endlosschraube ein, wobei die Ausgänge der Schneideplatte in die Einbuchtungen der Auslassöffnungskannte des Fleischwolfkopfes passen müssen. (Fig.5).
- ♦ Schrauben Sie den Befestigungsrand in der Auslassöffnung des Fleischwolfkopfes fest, wobei Sie diesen im Uhrzeigersinn drehen, bis Endlosschraube, Klinge und Platte mit Löchern angemessen montiert sind. (Fig.6).
- ♦ Positionieren Sie die Ablage oben auf dem Fleischwolfkopf.

Öffnung zum Füllen mit Würsten (L):

- ♦ Drücken Sie die Befestigungstaste (C), halten Sie den Kopf fest und fügen Sie ihn in den Einlass. Achten Sie dabei darauf, dass der Kopf so wie der Pfeil auf der Oberseite darauf hinweist geneigt werden muss, siehe (Fig.1). Dann bewegen Sie die Kopf gegen den Uhrzeigersinn, damit dieser Kopf angemessen befestigt wird. (Fig.2).
- ♦ Fügen Sie die Endlosschraube durch die Auslassöffnung des Fleischwolfkopfes ein. (Fig.3).
- ♦ Setzen Sie die Klinge auf die Schraube mit der schneidenden Seite nach außen. (Fig.4).
- ♦ Fügen Sie die Schneideplatte mit den größten Löchern in die Endlosschraube ein, wobei die Ausgänge der Schneideplatte in die Einbuchtungen der Auslassöff-

nungskante des Fleischwolfkopfes passen müssen. (Fig.5).

- ◆ Einsetzen der Platte für den Wurstaufschnitt mit dem Stelling. (Fig.7).
- ◆ Schrauben Sie den Befestigungsrand in der Auslassöffnung des Fleischwolfkopfes fest, wobei Sie diesen im Uhrzeigersinn drehen, bis Endlosschraube, Klinge und Platte mit Löchern angemessen montiert sind. (Fig.6).
- ◆ Positionieren Sie die Ablage oben auf dem Fleischwolfkopf.

Zubehör für Kebbe (M):

- ◆ Drücken Sie die Befestigungstaste (C), halten Sie den Kopf fest und fügen Sie ihn in den Einlass. Achten Sie dabei darauf, dass der Kopf so wie der Pfeil auf der Oberseite darauf hinweist geneigt werden muss, siehe (Fig.1). Dann bewegen Sie die Kopf gegen den Uhrzeigersinn, damit dieser Kopf angemessen befestigt wird. (Fig.2).
- ◆ Fügen Sie die Endlosschraube durch die Auslassöffnung des Fleischwolfkopfes ein. (Fig.3).
- ◆ Fügen Sie das Zubehör für die Basis Kebbe in die Endlosschraube ein und positionieren Sie das andere Kebbe Zubehör darüber, wobei die Ausgänge in die Kanteneinbuchtungen der Füllungsöffnung passen müssen. (Fig.8).
- ◆ Schrauben Sie den Befestigungsrand im Uhrzeigersinn fest, damit das Zubehör für Kebbe in der Endlosschraube angebracht wird. (Fig.6).
- ◆ Positionieren Sie die Ablage oben auf dem Fleischwolfkopf.

Zubehör für Tomaten (N)

- ◆ Dieses Zubehör ermöglicht das Trennen der Samen und des Fruchtfleisches, um den Saft zu erhalten.
- ◆ Drücken Sie die Befestigungstaste (C), halten Sie den Kopf fest und fügen Sie ihn in den Einlass. Achten Sie dabei darauf, dass der Kopf so wie der Pfeil auf der Oberseite darauf hinweist geneigt werden muss, siehe (Fig.1). Dann bewegen Sie die Kopf gegen den Uhrzeigersinn, damit dieser Kopf angemessen befestigt wird. (Fig.2).
- ◆ Fügen Sie die Endlosschraube durch die Auslassöffnung des Fleischwolfkopfes ein. (Fig.3).
- ◆ Setzen Sie das Zubehör für Tomaten ein, indem Sie die Vorsprünge in die Einkerbungen am Rand des Einfüllstutzens einpassen. Schrauben Sie den Stelling im Uhrzeigersinn fest, bis das Zubehör in der Schraube angebracht ist. (Fig.9).
- ◆ Setzen Sie das Druckregelventil, den Spritzschutz und die Schale für das Auffangen des Saftes ein.

Rückwärtsfunktion:

- ◆ Bei Verstopfung schalten Sie das Gerät ab und drehen Sie den Schalter auf „R“.
- ◆ Die Endlosschraube wird sich in die andere Richtung drehen und der Kopf wird sich leeren.
- ◆ Falls das nicht funktioniert, schalten Sie die Einheit aus und säubern Sie sie.
- ◆ Warten Sie eine Minute vor und nach der Rückwärtsfunktion.

Wenn der Motor blockiert ist:

- ◆ Bewegt sich der Motor langsam oder hält an, könnte das einem Lebensmittelstück liegen, das gerade ausgepresst wird und den Zerkleinerer blockiert. Verwenden Sie in diesem Fall den Schalter für die Gegenrichtung. Bringen Sie den An-/Aus-Schalter in die Position 0, drücken Sie den Schalter für die Gegenrichtung. Durch diesen Vorgang lockert die Pressschnecke das Lebensmittelstück auf (Achtung: Bei dieser Bewegung in Gegenrichtung kann ein Teil des Lebensmittels über den Schacht/das Fülltablett austreten). Desaktivieren Sie die Drehung in Gegenrichtung, indem Sie den vorher beschriebenen Vorgang umgekehrt durchführen.
- ◆ Sollte der Motor noch immer blockiert sein, entfernen Sie das Gerät vom Elektronetz und bauen Sie die Zubehörteile ab.

Wärmeschutzschalter:

- ◆ Das Gerät ist mit einem Wärmeschutzschalter ausgestattet, wodurch es gegen Überhitzung geschützt ist.
- ◆ Schaltet sich das Gerät von selbst aus und nicht wieder ein, unterbrechen Sie die Stromzufuhr, warten Sie 15 Minuten und schalten es wieder ein.

REINIGUNG

- ◆ Ziehen Sie den Stecker heraus und lassen Sie das Gerät abkühlen, bevor Sie mit der Reinigung beginnen.
- ◆ Reinigen Sie das Gerät mit einem feuchten Tuch, auf das Sie einige Tropfen Reinigungsmittel geben und trocknen Sie es danach ab.
- ◆ Verwenden Sie zur Reinigung des Geräts weder Löse- oder Scheuermittel noch Produkte mit einem sauren oder basischen pH-Wert wie z.B. Lauge.
- ◆ Das Gerät nicht in Wasser oder andere Flüssigkeiten tauchen und nicht unter den Wasserhahn halten.
- ◆ Bei der Reinigung muss besonders auf die Schneideflächen geachtet werden, die besonders scharf sind.
- ◆ Es wird empfohlen, Speisereste regelmäßig vom Gerät zu entfernen.

- ◆ Kein Teil dieses Geräts ist zum Reinigen in der Spülmaschine geeignet.
- ◆ Trocknen Sie alle Teile gut ab, bevor Sie das Gerät montieren und aufbewahren.

STÖRUNGEN UND REPARATUR

- ◆ Bei Schäden und Störungen bringen Sie das Gerät zu einem zugelassenen Technischen Kundendienst. Versuchen Sie nicht, das Gerät selbst auseinanderzubauen und zu reparieren. Das könnte Gefahren zur Folge haben.

GARANTIE UND TECHNISCHER SERVICE

- ◆ Dieses Produkt ist von der gesetzlichen Garantie gemäß der geltenden Gesetzgebung geschützt. Um Ihre Rechte und Interessen geltend zu machen, müssen Sie eines unserer offiziellen Servicezentren aufsuchen.
- ◆ Über folgenden Link finden Sie ein Servicezentrum in Ihrer Nähe: <http://www.2helpu.com/>
- ◆ Sie können auch Informationen anfordern, indem Sie sich mit uns in Verbindung setzen (siehe letzte Seite des Handbuchs).
- ◆ Sie können dieses Benutzerhandbuch und seine Aktualisierungen unter <http://www.2helpu.com/> herunterladen.

Für die EU-Ausführungen des Produkts und/oder für Länder, in denen diese Vorschriften anzuwenden sind:

Ökologie und Recycling des Produkts

- ◆ Die zur Herstellung des Verpackungsmaterials dieses Geräts verwendeten Materialien sind im Sammel-, Klassifizierungs- und Recyclingsystem integriert. Wenn Sie es entsorgen möchten, können Sie die öffentlichen Container für die einzelnen Materialarten verwenden.
- ◆ Das Produkt ist frei von umweltschädlichen Konzentrationen von Substanzen.



Dieses Symbol weist darauf hin, dass das Produkt, wenn Sie es am Ende seiner Lebensdauer entsorgen wollen, in geeigneter Weise bei einer zugelassenen Entsorgungsstelle abzugeben ist, um die getrennte Sammlung von Elektro- und Elektronikgeräte-Abfall (WEEE)

sicherzustellen.

Dieses Gerät erfüllt die Richtlinie 2014/35/EU über Niederspannung, die Richtlinie 2014/30/EU über elektromagnetische Verträglichkeit, die Richtlinie 2011/65/EU zur Beschränkung der Verwendung bestimmter gefährlicher Stoffe in Elektro- und Elektronikgeräten und die Richtlinie 2009/125/EG über die Anforderungen an die umweltgerechte Gestaltung energiebetriebener Produkte.

ROBOT TRITATUTTO

BXMM1000E

BXMMA1000E

Egregio cliente,

Le siamo grati per aver acquistato un prodotto della marca Black+Decker. La sua tecnologia, il suo design e la sua funzionalità, oltre al fatto di aver superato le più rigorose norme di qualità, le assicureranno una totale e durevole soddisfazione.

**CONSIGLI E AVVERTENZE
PER LA SICUREZZA**

- ◆ Prima di utilizzare l'apparecchio, leggere attentamente le istruzioni riportate nel presente opuscolo e conservarlo per future consultazioni. La mancata osservanza delle presenti istruzioni può essere causa di incidenti.
- ◆ Prima del primo utilizzo dell'apparecchio, si consiglia di pulire tutte le parti a contatto con gli alimenti, come indicato nella sezione dedicata alla pulizia.
- ◆ L'apparecchio non deve essere utilizzato da bambini. Mantenere l'apparecchio e le parti per il collegamento alla rete elettrica fuori dalla portata di bambini.
- ◆ Questo apparecchio è idoneo per l'utilizzo da parte di persone con capacità fisiche, sensoriali o mentali ridotte o da persone non familiari con la manipolazione dello stesso, purché sorvegliati o debitamente informati sull'utilizzo in sicurezza della macchina e sui potenziali pericoli associati.
- ◆ Questo apparecchio non è un giocattolo. Assicurarsi che i bambini non giochino con l'apparecchio.
- ◆ Le lame dell'apparecchio sono affilate e possono provocare lesioni. Procedere con cautela ed evitare il contatto diretto con il filo delle lame.
- ◆ Prestar particolare attenzione durante il maneggiamento delle lame, le operazioni di montaggio e smontaggio e lo svuotamento del recipiente per la pulizia.
- ◆ Spegner e scollegare l'apparecchio dalla rete elettrica quando non è in uso e prima di effettuare qualsiasi operazione di pulizia, assemblaggio o cambio di accessori
- ◆ **PRECAUZIONI:** al fine di evitare rischi dovuti al riarmo indesiderato dell'interruttore di protezione termica, non alimentare l'apparecchio attraverso un dispositivo interruttore esterno come un programmatore, né collegarlo a un circuito che si accende e spegne regolarmente attraverso l'azienda di distribuzione elettrica.
- ◆ Se la connessione alla rete elettrica è danneggiata, è necessario sostituirla, rivolgendosi a un Centro di Assistenza Tecnica autorizzato. Non tentare di smontare o di riparare l'apparecchio.
- ◆ Questo apparecchio è destinato unicamente ad un uso domestico, non professionale o industriale.

- ♦ Prima di collegare l'apparecchio alla rete elettrica, verificare che il voltaggio indicato sulla targhetta caratteristiche e il selettore di voltaggio corrispondano al voltaggio della rete.
- ♦ Collegare l'apparecchio a una presa di corrente che sopporti come minimo 10 ampere.
- ♦ Verificare che la presa sia adatta alla spina dell'apparecchio. Non apportare alcuna modifica alla spina. Non usare adattatori.
- ♦ Non collocare l'apparecchio su superfici calde come piastre di cottura, bruciatori a gas, forni o simili.
- ♦ L'apparecchio deve essere collocato e utilizzato su una superficie piana e stabile.
- ♦ Non utilizzare l'apparecchio se il cavo di alimentazione o la spina fossero danneggiati.
- ♦ In caso di rottura di una parte dell'involucro esterno dell'apparecchio, scollegare immediatamente la spina dalla presa di corrente al fine di evitare eventuali scariche elettriche.
- ♦ Non usare l'apparecchio dopo una caduta, se presenta danni visibili o in presenza di qualsiasi perdita.
- ♦ Non tirare il cavo elettrico. Non usare mai il cavo elettrico per sollevare, trasportare o scollegare l'apparecchio.
- ♦ Controllare lo stato del cavo di alimentazione: I cavi danneggiati o attorcigliati aumentano il rischio di scariche elettriche.
- ♦ Non usare o esporre l'apparecchio alle intemperie.
- ♦ Non toccare mai la spina con le mani bagnate.
- ♦ Adottare le misure di sicurezza necessarie per evitare l'avvio involontario dell'apparecchio.
- ♦ Non toccare mai le parti in movimento quando l'apparecchio è in funzione.
- ♦ Fare attenzione dopo l'arresto dell'apparecchio, dal momento che lo strumento continuerà a ruotare per effetto di inerzia meccanica.
- ♦ Durante il funzionamento dell'apparecchio la temperatura delle superfici accessibili potrebbe arrivare ad essere elevata.

Precauzioni d'uso:

- ♦ Prima di ogni utilizzo, svolgere completamente il cavo dell'apparecchio.
- ♦ Non utilizzare l'apparecchio se gli accessori non sono correttamente montati.
- ♦ Non utilizzare l'apparecchio se gli accessori presentano dei difetti. Proceda a sostituirli immediatamente.
- ♦ Non utilizzare l'apparecchio se il suo dispositivo di accensione/spengimento non è funzionante.
- ♦ Non muovere l'apparecchio durante l'uso
- ♦ Non forzare la capacità di lavoro dell'apparecchio.

- ♦ Conservare questo apparecchio fuori dalla portata dei bambini e/o di persone con problemi fisici, mentali o di sensibilità, o con mancanza di esperienza e conoscenza.
- ♦ Mantenere l'apparecchio in buono stato. Verificare che le parti mobili siano ben fissate e che non rimangono incastrate, che non ci siano pezzi rotti e che non si verifichino altre situazioni che possano nuocere al buon funzionamento dell'apparecchio.
- ♦ Usare l'apparecchio, i suoi accessori e gli utensili secondo queste istruzioni, tenendo in considerazione le condizioni di lavoro e il lavoro da svolgere. Utilizzare l'apparecchio per operazioni diverse da quelle previste potrebbe causare una situazione di pericolo.
- ♦ Per spingere l'alimento del tubo di riempimento, utilizzare sempre il beccuccio di spinta, non usare mai le dita o altri accessori.
- ♦ Non lasciare l'apparecchio incustodito mentre sia in uso.
- ♦ Non utilizzare l'apparecchio ininterrottamente per più di 3 minuti.
- ♦ Non utilizzare l'apparecchio con ossa o alimenti congelati.

Servizio:

- ♦ Il produttore invalida la garanzia e declina ogni responsabilità in caso di uso inappropriato dell'apparecchio o non conforme alle istruzioni d'uso.

DESCRIZIONE

- A Pulsante (ON/OFF/Reverse)
- B Corpo
- C Pulsante di chiusura
- D Zona per installare la testa
- E Pressino
- F Vassoio
- G Testa frullatrice
- H Vite a rotazione continua
- I Lame
- J Dischi per tagliare (3 dimensioni)
- K Anello di fissaggio
- L Boccaglio per salsicce
- M Accessori per Kebbeh
- N Accessorio per salsa di pomodoro (*)

(*) Disponibile solo nel modello BXMMMA1000E.

Se il modello del Suo apparecchio non fosse dotato degli accessori anteriormente elencati, può acquistarli separatamente presso i punti di assistenza tecnica autorizzati.

MODALITÀ D'USO

Prima dell'uso:

- ♦ Assicurarsi di aver rimosso dal prodotto tutto il materiale

di imballaggio.

- ◆ Prima del primo utilizzo dell'apparecchio, si consiglia di pulire tutte le parti a contatto con gli alimenti, come indicato nella sezione dedicata alla pulizia.
- ◆ Preparare l'apparecchio secondo la funzione che si desidera realizzare:

Uso:

- ◆ Srotolare completamente il cavo prima di attaccare la spina.
- ◆ Preparare l'apparecchio con l'accessorio necessario, in base al tipo di alimento che si voglia trattare.
- ◆ Tagliare a pezzetti tutti gli alimenti (si consigliano carni senza nervi, disossate e magre, misura approssimativa: 20 x 20 x 60 mm) in modo da poterli introdurre facilmente attraverso l'imboccatura superiore.
- ◆ Collegare l'apparato alla rete elettrica.
- ◆ Avviare l'apparecchio selezionando la posizione 1 del pulsante.
- ◆ Introdurre gli alimenti nel disco della tramoggia utilizzando solamente il vassoio a pressione per inserirli nel tubo di alimentazione.
- ◆ Lavorare con gli alimenti che si desidera trattare.
- ◆ Per evitare un avvio troppo brusco, l'accensione dell'apparecchio è progressiva.

Una volta concluso l'utilizzo dell'apparecchio:

- ◆ Spegner l'apparecchio premendo l'interruttore accensione/spegnimento. Selezionare la posizione "0".
- ◆ Scollegare l'apparecchio dalla rete.
- ◆ Pulire l'apparecchio.

Accessori:

Dischi per tagliare (J):

- ◆ Questi dischi permettono di tritare carne con tessitura grossa o fine a seconda della misura dei fori del disco stesso.
- ◆ Premere il tasto di chiusura (C), sorreggere la testa ed introdurla nel foro d'entrata. Fare attenzione ad inserirla nel senso della freccia indicato nella parte superiore, vedere (Fig.1) Successivamente muovere la testa in senso antiorario in modo da accoppiarla saldamente. (Fig. 2).
- ◆ Inserire la vite attraverso la bocca d'uscita della testa frullatrice. (Fig.3).
- ◆ Collocare la lama sulla vite con la parte tagliente rivolta verso l'esterno. (Fig.4). Se non è correttamente incastrato, la carne non si macinerà.
- ◆ Inserire uno dei tre dischi sulla vite, accoppiando le sporgenze del disco con i dentini esterni della bocca d'uscita della testa frullatrice. (Fig. 5):

- ◆ Avvitare saldamente la corona di chiusura sulla bocca d'uscita della testa frullatrice, ruotando in senso orario per fissare la vite, la lama e il disco. (Fig. 6).
- ◆ Posizionare il vassoio sulla testa frullatrice.

Boccaglio per riempire salsicce (L):

- ◆ Premere il tasto di chiusura (C), sorreggere la testa ed introdurla nel foro d'entrata. Fare attenzione ad inserirla nel senso della freccia indicato nella parte superiore, vedere (Fig.1) Successivamente muovere la testa in senso antiorario in modo da accoppiarla saldamente. (Fig. 2).
- ◆ Inserire la vite attraverso la bocca d'uscita della testa frullatrice. (Fig.3).
- ◆ Collocare la lama sulla vite con la parte tagliente rivolta verso l'esterno. (Fig.4).
- ◆ Inserire il disco con i fori larghi sulla vite, accoppiando le sporgenze del disco con i dentini esterni della bocca d'uscita della testa frullatrice. (Fig. 5):
- ◆ Inserire il boccaglio per riempire salsicce attraverso l'anello di fissaggio. (Fig. 7).
- ◆ Avvitare saldamente la corona di chiusura sulla bocca d'uscita della testa frullatrice, ruotando in senso orario per fissare la vite, la lama e il disco. (Fig. 6).
- ◆ Posizionare il vassoio sulla testa frullatrice.

Accessori per Kebbeh (M):

- ◆ Premere il tasto di chiusura (C), sorreggere la testa ed introdurla nel foro d'entrata. Fare attenzione ad inserirla nel senso della freccia indicato nella parte superiore, vedere (Fig.1) Successivamente muovere la testa in senso antiorario in modo da accoppiarla saldamente. (Fig. 2).
- ◆ Inserire la vite attraverso la bocca d'uscita della testa frullatrice. (Fig.3).
- ◆ Inserire l'accessorio per preparare Kebbeh sulla vite e collocare l'altro accessorio Kebbeh nella parte superiore, fissando le sporgenze nei dentini esterni del boccaglio. (Fig.8).
- ◆ Avvitare la corona di chiusura ruotando in senso orario per fissare l'accessorio per Kebbeh sulla vite. (Fig. 6).
- ◆ Posizionare il vassoio sulla testa frullatrice.

Accessorio pomodoro (N)

- ◆ Questo accessorio consente di separare i semi e la polpa del pomodoro, per ottenerne il succo.
- ◆ Premere il tasto di chiusura (C), sorreggere la testa ed introdurla nel foro d'entrata. Fare attenzione ad inserirla nel senso della freccia indicato nella parte superiore, vedere (Fig.1) Successivamente muovere la testa in senso antiorario in modo da accoppiarla saldamente. (Fig. 2).

- ◆ Inserire la vite attraverso la bocca d'uscita della testa frullatrice. (Fig.3).
- ◆ Inserire l'accessorio per il pomodoro, fissando le sporgenze nei dentini esterni del boccaglio. Avvitare l'anello di fissaggio ruotando in senso orario per fissare l'accessorio sulla vite. (Fig.9)
- ◆ Posizionare la valvola di controllo della pressione, il protettore anti-schizzi e il vassoio per raccogliere il succo.

Funzione marcia indietro:

- ◆ Se si verificasse una otturazione, spegnere l'apparecchio girando il pulsante sulla posizione "R".
- ◆ La vite ruoterà nella direzione opposta e la testa si svuoterà.
- ◆ Se non funziona, spegnere l'unità e pulirla.
- ◆ Attendere un minuto prima e dopo la funzione marcia indietro.

Se si blocca il motore:

- ◆ Se il motore si muove lentamente o si arresta, ciò può dipendere dal fatto che l'alimento che si sta trattando blocchi la grattugia. In questo caso, utilizzare l'interruttore per invertire il senso di rotazione. Posizionare l'interruttore di avvio/arresto su 0 e premere il pulsante di inversione del senso di rotazione. Con questa operazione, la coclea decompatta l'alimento (attenzione: in questa situazione di inversione della rotazione, parte dell'alimento potrebbe uscire dal tubo/recipiente di riempimento). Disattivare la rotazione inversa procedendo a ritroso, rispetto a quanto spiegato in precedenza.
- ◆ Se il motore fosse ancora bloccato, scollegare l'apparecchio dalla rete elettrica e smontare gli accessori.

Protettore termico di sicurezza:

- ◆ L'apparecchio possiede un dispositivo termico di sicurezza che lo protegge da qualsiasi surriscaldamento.
- ◆ Se l'apparecchio si sconnette da solo e non si riconnette, scollegarlo dalla presa e attendere circa 15 minuti prima di connetterlo di nuovo. Se ancora non funziona, rivolgersi ad un centro d'assistenza tecnica autorizzato.

PULIZIA

- ◆ Scollegare la spina dalla rete elettrica e aspettare che l'apparecchio si raffreddi prima di eseguirne la pulizia.
- ◆ Pulire il gruppo elettrico con un panno umido, quindi asciugarlo.
- ◆ Per la pulizia non impiegare solventi o prodotti a pH acido o basico come la candeggina, né prodotti abrasivi.
- ◆ Non immergere l'apparecchio in acqua o altri liquidi, né lavarlo con acqua corrente.

- ◆ Le lame dell'apparecchio sono particolarmente affilate; durante la pulizia, maneggiare con cura.
- ◆ Si raccomanda di pulire l'apparecchio periodicamente e di rimuovere tutti i residui di cibo.
- ◆ Nessuna delle parti che compongono questo apparato è adatta per il lavaggio in lavastoviglie.
- ◆ Prima di montare e riporre l'apparecchio, asciugare bene tutti i pezzi.

ANOMALIE E RIPARAZIONI

- ◆ In caso di guasto, rivolgersi ad un Centro d'Assistenza Tecnica autorizzato. Non tentare di smontare o di riparare l'apparecchio: può essere pericoloso.

GARANZIA E ASSISTENZA TECNICA

- ◆ Questo prodotto possiede il riconoscimento e la protezione della garanzia legale di conformità con la legislazione vigente. Per far valere i suoi diritti o interessi, dovrà rivolgersi a uno qualsiasi dei nostri servizi ufficiali di assistenza tecnica.
- ◆ Può trovare il più vicino cliccando sul seguente link: <http://www.2helpu.com/>.
- ◆ Inoltre, può richiedere informazioni mettendosi in contatto con noi (consultare l'ultima pagina del manuale).
- ◆ Può scaricare questo manuale di istruzioni e i suoi aggiornamenti da <http://www.2helpu.com/>.

Per i prodotti dell'Unione Europea e/o nel caso in cui sia previsto dalla legislazione del Suo paese di origine:

Prodotto ecologico e riciclabile

- ◆ I materiali che costituiscono l'imballaggio di questo apparecchio sono compresi in un sistema di raccolta, classificazione e riciclaggio degli stessi. Per lo smaltimento, utilizzare gli appositi contenitori pubblici, adatti per ogni tipo di materiale.
- ◆ Il prodotto non contiene concentrazioni di sostanze considerate dannose per l'ambiente.



Questo simbolo indica che, per smaltire il prodotto al termine della sua durata utile, occorre depositarlo presso un ente di smaltimento autorizzato alla raccolta differenziata di rifiuti di apparecchiature elettriche ed elettroniche (RAEE).

Questo apparecchio rispetta la Direttiva 2014/35/UE di Bassa Tensione, la Direttiva 2014/30/UE di Compatibilità Elettromagnetica, la Direttiva 2011/65/UE sui limiti d'impiego di determinate sostanze pericolose negli apparecchi elettrici ed elettronici e la Direttiva 2009/125/CE riguardante l'Ecodesign dei prodotti che consumano energia.

PICADORA DE CARNE

BXMM1000E

BXMM1000E

Distinguido cliente:

Le agradecemos que se haya decidido por la compra de un producto de la marca Black+Decker.

Su tecnología, diseño y funcionalidad, junto con el hecho de superar las más estrictas normas de calidad le comportarán total satisfacción durante mucho tiempo.

CONSEJOS Y ADVERTENCIAS DE SEGURIDAD

- ◆ Leer atentamente este folleto de instrucciones antes de poner el aparato en marcha y guardarlo para posteriores consultas. La no observación y cumplimiento de estas instrucciones pueden comportar como resultado un accidente.
- ◆ Antes del primer uso, limpiar todas las partes del producto que puedan estar en contacto con alimentos, procediendo tal como se indica en el apartado de limpieza.
- ◆ Este aparato no debe ser usado por niños. Mantener el aparato y su conexión de red fuera del alcance de los niños.
- ◆ Este aparato pueden utilizarlo personas con capacidades físicas, sensoriales o mentales reducidas o falta de experiencia y conocimiento, si se les ha dado la supervisión o formación apropiadas respecto al uso del aparato de una manera segura y comprenden los peligros que implica.
- ◆ Este aparato no es un juguete. Los niños deben estar bajo vigilancia para asegurar que no jueguen con el aparato.
- ◆ Las cuchillas están afiladas y existe riesgo de corte, proceder con cautela y evitar el contacto directo con el filo de las mismas.
- ◆ Prestar especial atención durante el manejo de las cuchillas, durante operaciones de montaje y desmontaje, vaciado de jarra y limpieza.
- ◆ Desconectar el aparato y desenchufar la alimentación si se deja desatendido y antes de cambiar los accesorios o partes próximas que se mueven durante el uso, del montaje, del desmontaje o de la limpieza.
- ◆ **PRECAUCIÓN:** Con objeto de evitar un peligro debido al rearme no deseado del protector térmico, no se tiene que alimentar al aparato a través de un dispositivo interruptor externo, tal como un programador, o conectarlo a un circuito que se encienda y apague regularmente a través de la compañía de distribución de energía eléctrica.
- ◆ Si la conexión red está dañada, debe ser substituida, llevar el aparato a un Servicio de Asistencia Técnica autorizado. Con el fin de evitar un peligro, no intente desmontarlo o repararlo por sí mismo.

◆ Este aparato está pensado únicamente para un uso doméstico, no para uso profesional o industrial.

- ◆ Antes de conectar el aparato a la red, verificar que el voltaje indicado en la placa de características coincide con el voltaje de red.
- ◆ Conectar el aparato a una base de toma de corriente que soporte como mínimo 10 amperios.
- ◆ La clavija del aparato debe coincidir con la base eléctrica de la toma de corriente. Nunca modificar la clavija. No usar adaptadores de clavija.
- ◆ No colocar el aparato sobre superficies calientes tales como placas de cocción, quemadores de gas, hornos o similares.
- ◆ El aparato debe utilizarse y colocarse sobre una superficie plana y estable.
- ◆ No utilizar el aparato con el cable eléctrico o la clavija dañada.
- ◆ Si alguna de las envolventes del aparato se rompe, desconectar inmediatamente el aparato de la red para evitar la posibilidad de sufrir un choque eléctrico.
- ◆ No utilizar el aparato si ha caído, si hay señales visibles de daños, o si existe fuga.
- ◆ No forzar el cable eléctrico de conexión. Nunca usar el cable eléctrico para levantar, transportar o desenchar el aparato.
- ◆ Verificar el estado del cable eléctrico de conexión. Los cables dañados o enredados aumentan el riesgo de choque eléctrico.
- ◆ No utilizar ni guardar el aparato a la intemperie.
- ◆ No tocar la clavija de conexión con las manos mojadas.
- ◆ Tomar las medidas necesarias para evitar la puesta en marcha no intencionada del aparato.
- ◆ No tocar las partes móviles del aparato en marcha.
- ◆ Tener precaución después de la operación de paro del aparato, ya que la cuchilla/s seguirán girando por efecto de su inercia mecánica.
- ◆ La temperatura de las superficies accesibles puede ser elevada cuando el aparato está en funcionamiento.

- ◆ No usar el aparato si su dispositivo de puesta en marcha/paro no funciona.
- ◆ No mover el aparato mientras está en uso.
- ◆ No forzar la capacidad de trabajo del aparato.
- ◆ Guardar este aparato fuera del alcance de los niños y/o personas con capacidades físicas, sensoriales o mentales reducidas o falta de experiencia y conocimiento.
- ◆ Mantener el aparato en buen estado. Compruebe que las partes móviles no estén desalineadas o trabadas, que no haya piezas rotas u otras condiciones que puedan afectar al buen funcionamiento del aparato.
- ◆ Usar este aparato, sus accesorios y herramientas de acuerdo con estas instrucciones, teniendo en cuenta las condiciones de trabajo y el trabajo a realizar. Usar el aparato para operaciones diferentes a las previstas podría causar una situación de peligro.
- ◆ Para empujar el alimento del tubo de llenado utilizar siempre el empujador, nunca usar los dedos u otros accesorios.
- ◆ No dejar el aparato desatendido mientras está en uso.
- ◆ No utilizar el aparato más de 3 minutos seguidos.
- ◆ No usar el aparato con alimentos congelados o huesos.

Servicio:

- ◆ Toda utilización inadecuada, o en desacuerdo con las instrucciones de uso, puede comportar peligro, anulando la garantía y la responsabilidad del fabricante.

DESCRIPCIÓN

- A Botón (ON/OFF/Reverso)
- B Cuerpo
- C Botón de fijación
- D Zona para instalar el cabezal
- E Empujador
- F Bandeja
- G Cabezal picador
- H Tornillo de giro continuo
- I Cuchilla
- J Placas de corte (3 tamaños)
- K Aro de fijación
- L Boquilla para salsichas
- M Accesorio para Kebbe
- N Accesorio para salsa de tomate (*)

(*) Solo disponible en el modelo BXMMA1000E.

Caso de que su modelo de aparato no disponga de los accesorios descritos anteriormente, éstos también pueden adquirirse por separado en los Servicios de Asistencia Técnica.

MODO DE EMPLEO

Notas previas al uso:

- ♦ Asegúrese de que ha retirado todo el material de embalaje del producto.
- ♦ Antes de usar el producto por primera vez, limpie las partes en contacto con alimentos tal como se describe en el apartado de Limpieza.
- ♦ Preparar el aparato acorde a la función que desee realizar:

Uso:

- ♦ Desenrollar completamente el cable antes de enchufar.
- ♦ Preparar el aparato con el accesorio necesario en función del tipo de alimento que vaya a procesar.
- ♦ Trocear todos los alimentos (se recomienda el uso de carne sin nervios, sin grasa y sin huesos, con unas dimensiones aproximadas de 20 x 20 x 60 mm) de manera que puedan introducirse fácilmente en la apertura de la tolva.
- ♦ Enchufar el aparato a la red eléctrica.
- ♦ Poner el aparato en marcha, seleccionando la posición 1 en el botón.
- ♦ Introducir los alimentos en la placa de la tolva utilizando solamente la bandeja de presión para introducirlos en el tubo de alimentación.
- ♦ Trabajar el alimento que desee procesar.
- ♦ Para evitar un arranque demasiado brusco, la puesta en marcha del aparato es de forma progresiva.

Una vez finalizado el uso del aparato:

- ♦ Parar el aparato, accionando el interruptor marcha/paro. Seleccionar la posición "0".
- ♦ Desenchufar el aparato de la red eléctrica.
- ♦ Limpiar el aparato.

Accesorios:

Placas de corte (J):

- ♦ Las placas de corte permiten picar la carne con una textura más gruesa o más fina dependiendo del tamaño de los orificios del disco.
- ♦ Pulsar el botón de fijación (C), sostener el cabezal e introducirlo en la embocadura. Al efectuar esta operación, prestar especial atención a que el ángulo del cabezal sea el que indica la flecha de la parte superior, véase (Fig. 1). Seguidamente girar el cabezal en el sentido anti horario hasta que quede bien sujeto. (Fig. 2).
- ♦ Introducir el tornillo a través de la embocadura del cabezal picador. (Fig. 3).

- ♦ Colocar la cuchilla en el tornillo con la cara cortante apuntando hacia fuera. (Fig. 4). Si no está correctamente encajado la carne no se picará.
- ♦ Insertar una de las tres placas de corte en el tornillo sin fin, encajando los salientes de la placa de corte con las muescas del borde de la embocadura del cabezal picador. (Fig. 5).
- ♦ Apretar fuerte el aro de fijación en la embocadura del cabezal picador roscándolo en el sentido horario hasta encajar el tornillo, la cuchilla y la placa de corte. (Fig. 6).
- ♦ Colocar la bandeja en la parte superior del cabezal picador.

Boquilla para el embutido de salchichas (L):

- ♦ Pulsar el botón de fijación (C), sostener el cabezal e introducirlo en la embocadura. Al efectuar esta operación, prestar especial atención a que el ángulo del cabezal sea el que indica la flecha de la parte superior, véase (Fig. 1). Seguidamente girar el cabezal en el sentido anti horario hasta que quede bien sujeto. (Fig. 2).
- ♦ Introducir el tornillo a través de la embocadura del cabezal picador. (Fig. 3).
- ♦ Colocar la cuchilla en el tornillo con la cara cortante apuntando hacia fuera. (Fig. 4).
- ♦ Insertar la placa de corte con los orificios más grandes en el tornillo, encajando los salientes de la placa de corte con las muescas del borde de la embocadura del cabezal picador. (Fig. 5).
- ♦ Introducir la boquilla para el embutido de salchichas a través del aro de fijación. (Fig. 7).
- ♦ Apretar fuerte el aro de fijación en la embocadura del cabezal picador roscándolo en el sentido horario hasta encajar el tornillo, la cuchilla y la boquilla. (Fig. 6).
- ♦ Colocar la bandeja en la parte superior del cabezal picador.

Accesorio para Kebbe (M):

- ♦ Pulsar el botón de fijación (C), sostener el cabezal e introducirlo en la embocadura. Al efectuar esta operación, prestar especial atención a que el ángulo del cabezal sea el que indica la flecha de la parte superior, véase (Fig. 1). Seguidamente girar el cabezal en el sentido anti horario hasta que quede bien sujeto. (Fig. 2).
- ♦ Introducir el tornillo a través de la embocadura del cabezal picador. (Fig. 3).
- ♦ Insertar el accesorio para la base Kebbe en el tornillo y colocar el otro accesorio Kebbe en la parte superior, encajando los salientes con las muescas del borde de la boca de llenado. (Fig. 8).
- ♦ Apretar fuerte el aro de fijación roscando en el sentido

horario hasta encajar los accesorios para Kebbe en el tornillo. (Fig.6).

- ◆ Colocar la bandeja en la parte superior del cabezal picador.

Accesorio tomate (N)

- ◆ Este accesorio permite separar las semillas y la pulpa del tomate para obtener su jugo.
- ◆ Pulsar el botón de fijación (C), sostener el cabezal e introducirlo en la embocadura. Al efectuar esta operación, prestar especial atención a que el ángulo del cabezal sea el que indica la flecha de la parte superior, véase (Fig.1). Seguidamente girar el cabezal en el sentido anti horario hasta que quede bien sujeto. (Fig.2).
- ◆ Introducir el tornillo a través de la embocadura del cabezal picador. (Fig.3).
- ◆ Insertar el accesorio tomate, encajando los salientes con las muescas del borde de la boca de llenado. Apretar fuerte el aro de fijación enroscando en el sentido horario hasta encajar el accesorio en el tornillo. (Fig.9).
- ◆ Colocar la válvula de control de presión, el protector anti salpicaduras y la bandeja para recoger el zumo.

Función inversa:

- ◆ En caso de producirse un atasco, apagar el aparato girando el botón en la posición "R".
- ◆ El tornillo sin fin girará en el sentido contrario y el cabezal se vaciará.
- ◆ Si esto no funciona, desconecte la unidad y proceda a su limpieza.
- ◆ Espere un minuto antes y después de la función inversa.

Si se bloquea el motor:

- ◆ Si el motor se mueve lentamente o se detiene, puede ser debido a que el alimento que se esté procesando bloquee la picadora. En este caso, utilice el interruptor de inversión de sentido de marcha. Para ello; colocar el interruptor marcha paro a la posición 0, pulsar el pulsador de inversión de sentido de marcha. Realizando esta operación el tornillo sin fin descompactará el alimento (atención en esta situación de inversión de giro, parte del alimento puede salir por el tubo/ bandeja de llenado). Desactive el giro en sentido contrario procediendo a la inversa de lo que se ha explicado anteriormente.
- ◆ Si el motor siguiera estando bloqueado, desenchufe el aparato de la red y desmonte los accesorios.

Protector térmico de seguridad:

- ◆ El aparato dispone de un dispositivo térmico de seguridad

que protege el aparato de cualquier sobrecalentamiento.

- ◆ Si el aparato se desconecta por sí mismo y no vuelve a conectarse, proceder a desenchufarlo de la red, esperar unos 15 minutos antes de volver a conectarlo, Si sigue sin funcionar, acudir a uno de los servicios de asistencia técnica autorizados.

LIMPIEZA

- ◆ Desenchufar el aparato de la red y dejarlo enfriar antes de iniciar cualquier operación de limpieza.
- ◆ Limpiar el aparato con un paño húmedo impregnado con unas gotas de detergente y secarlo después.
- ◆ No utilizar disolventes, ni productos con un factor pH ácido o básico como la lejía, ni productos abrasivos, para la limpieza del aparato.
- ◆ No sumergir el aparato en agua u otro líquido, ni ponerlo bajo el grifo.
- ◆ Durante el proceso de limpieza hay que tener especial cuidado con las cuchillas ya que están muy afiladas.
- ◆ Se recomienda limpiar el aparato regularmente y retirar todos los restos de alimentos.
- ◆ Ninguna de las partes de este aparato es apta para su limpieza en el lavavajillas.
- ◆ A continuación, seque todas las piezas antes de su montaje y guardado.

ANOMALÍAS Y REPARACIÓN

- ◆ En caso de avería llevar el aparato a un Servicio de Asistencia Técnica autorizado. No intente desmontarlo o repararlo ya que puede existir peligro.

GARANTÍA Y ASISTENCIA TÉCNICA

- ◆ Este producto goza del reconocimiento y protección de la garantía legal de acuerdo con la legislación vigente. Para hacer valer sus derechos o intereses, debe acudir a cualquiera de nuestros servicios oficiales de asistencia técnica.
- ◆ Puede encontrar el más cercano accediendo al siguiente enlace web: <http://www.2helpu.com/>.
- ◆ También puede solicitar información relacionada poniéndose en contacto con nosotros (consulte la última página del manual).
- ◆ Puede descargar este manual de instrucciones y sus actualizaciones en <http://www.2helpu.com/>.

Para las versiones EU del producto y/o en el caso de que en su país aplique:

Ecología y reciclabilidad del producto

- ♦ Los materiales que constituyen el envase de este aparato, están integrados en un sistema de recogida, clasificación y reciclado de los mismos. Si desea deshacerse de ellos, puede utilizar los contenedores públicos apropiados para cada tipo de material.
- ♦ El producto está exento de concentraciones de sustancias que se puedan considerar dañinas para el medio ambiente.



Este símbolo significa que si desea deshacerse del producto, una vez transcurrida la vida del mismo, debe depositarlo por los medios adecuados a manos de un gestor de residuos autorizado para la recogida selectiva de Residuos de Aparatos Eléctricos y Electrónicos

(RAEE).

Este aparato cumple con la Directiva 2014/35/EU de Baja Tensión, con la Directiva 2014/30/EU de Compatibilidad Electromagnética, con la Directiva 2011/65/EU sobre restricciones a la utilización de determinadas sustancias peligrosas en aparatos eléctricos y electrónicos y con la Directiva 2009/125/EC sobre los requisitos de diseño ecológico aplicable a los productos relacionados con la energía.

PICADORA DE CARNE

BXMM1000E

BXMM1000E

Caro cliente:

Obrigado por ter adquirido um eletrodoméstico da marca Black+Decker.

A sua tecnologia, design e funcionalidade, aliados às mais rigorosas normas de qualidade, garantir-lhe-ão uma total satisfação durante muito tempo.

CONSELHOS E ADVERTÊNCIAS DE SEGURANÇA

- ◆ Leia atentamente este manual de instruções antes de ligar o aparelho e guarde-o para consultas futuras. A não observância e cumprimento destas instruções pode resultar em acidente.
- ◆ Antes da primeira utilização, limpe todas as partes do aparelho que possam estar em contacto com os alimentos, procedendo como se indica no capítulo de limpeza.
- ◆ Este aparelho não deve ser utilizado por crianças. Mantenha o aparelho e respetivo cabo de alimentação fora do alcance das crianças.
- ◆ Este aparelho pode ser utilizado por pessoas com incapacidades físicas, sensoriais ou mentais, ou por pessoas inexperientes, desde que o façam sob supervisão ou tenham recebido formação sobre a utilização segura do aparelho e compreendam os perigos que este comporta.
- ◆ Este aparelho não é um brinquedo. As crianças devem ser vigiadas para garantir que não brincam com o aparelho.
- ◆ As lâminas estão afiadas e podem causar danos. Proceda com cautela e evite o contacto directo com o gume.
- ◆ Preste especial atenção ao manipular as lâminas durante as operações de montagem e desmontagem, ao esvaziar a taça e durante a limpeza.
- ◆ Desligue o aparelho da rede elétrica quando não estiver a utilizá-lo e antes de realizar qualquer operação de limpeza, ajuste, carregamento ou troca de acessórios.
- ◆ **PRECAUÇÕES:** Com o objetivo de evitar um acidente devido a um reajuste não pretendido do protetor térmico, não se deve ligar o aparelho através de um dispositivo interruptor externo, tal como um programador, ou ligá-lo a um circuito que se acenda e apague regularmente através da empresa de distribuição de energia elétrica.
- ◆ Se a ligação à corrente estiver danificada, deverá ser substituída. Leve o aparelho a um Serviço de Assistência Técnica autorizado. A fim de evitar o perigo, não tente desmontá-lo ou repará-lo sozinho.
- ◆ Este aparelho foi concebido exclusivamente para uso doméstico, não para uso profissional ou industrial.

- ♦ Antes de ligar o aparelho à corrente, verifique se a tensão indicada na placa de características corresponde à tensão da rede.
- ♦ Ligue o aparelho a uma tomada elétrica com ligação a terra e que suporte 10 amperes.
- ♦ A ficha do aparelho deve coincidir com a tomada de corrente elétrica. Nunca modifique a ficha. Não use adaptadores de ficha.
- ♦ Não coloque o aparelho em cima de superfícies quentes tais como placas elétricas, queimadores a gás, fornos, etc.
- ♦ O aparelho deve ser utilizado e colocado sobre uma superfície plana e estável.
- ♦ Não utilize o aparelho se tiver o cabo elétrico ou a ficha danificados.
- ♦ Se algum dos revestimentos do aparelho se partir, desligue imediatamente o aparelho da corrente para evitar a possibilidade de sofrer um choque elétrico.
- ♦ Não utilize o aparelho se este caiu e se existirem sinais visíveis de danos ou de fuga.
- ♦ Não force o cabo elétrico. Nunca utilize o cabo de alimentação para levantar, transportar ou desligar o aparelho da corrente.
- ♦ Verifique o estado do cabo de elétrico. Os cabos danificados ou entrelaçados aumentam o risco de choque elétrico.
- ♦ Não utilize nem guarde o aparelho ao ar livre.
- ♦ Não toque na ficha de ligação com as mãos molhadas.
- ♦ Tome as medidas necessárias para evitar que o aparelho se ligue acidentalmente.
- ♦ Não toque nas partes móveis do aparelho quando este estiver em funcionamento.
- ♦ Tenha cuidado após a operação de paragem do aparelho, uma vez que a ferramenta continuará a girar por efeito da sua inércia mecânica.
- ♦ A temperatura das superfícies acessíveis pode aumentar quando o aparelho está em funcionamento.

Utilização e cuidados:

- ♦ Antes de cada utilização, desenrole completamente o cabo de alimentação do aparelho.
- ♦ Não utilize o aparelho se os acessórios não estiverem devidamente montados.
- ♦ Não utilize o aparelho se os acessórios ou consumíveis montados apresentarem defeitos. Substitua-os imediatamente.
- ♦ Não utilize o aparelho se o dispositivo de ligar/desligar não funcionar.
- ♦ Não desloque o aparelho enquanto estiver em funcionamento.

- ♦ Não force a capacidade de trabalho do aparelho.
- ♦ Guarde o aparelho fora do alcance das crianças e de pessoas com capacidades físicas, sensoriais ou mentais reduzidas, ou com falta de experiência e conhecimento.
- ♦ Conserve o aparelho em bom estado. Verifique se as partes móveis não estão desalinhadas ou bloqueadas, que não existem peças danificadas ou outras condições que possam afetar o funcionamento correto do aparelho.
- ♦ Utilize este aparelho, os respetivos acessórios e ferramentas de acordo com estas instruções, tendo em conta as condições de trabalho e o trabalho a realizar. A utilização do aparelho para operações diferentes das previstas pode originar situações de perigo.
- ♦ Para empurrar o alimento para dentro do tubo de enchimento, utilize sempre o acessório de empurrar, nunca use os dedos ou outros acessórios.
- ♦ Não deixe o aparelho sem vigilância enquanto estiver em funcionamento.
- ♦ Não utilize o aparelho durante mais de 3 minutos seguidos.
- ♦ Não utilize o aparelho com alimentos congelados ou ossos.

Serviço:

- ♦ Qualquer utilização inadequada ou em desacordo com as instruções de utilização pode ser perigosa e anula a garantia e a responsabilidade do fabricante.

DESCRIÇÃO

- A Botão (ON/OFF/Reverse)
- B Peça principal (corpo)
- C Botão de aperto
- D Zona de montagem da cabeça de corte
- E Acessório para empurrar
- F Bandeja
- G Cabeça de corte
- H Veio de rotação contínua
- I Lâmina
- J Placas de corte (3 tamanhos)
- K Aro de fixação
- L Bocal para salchichas
- M Acessório para Quibe
- N Acessório para molho de tomate (*)

(*) Apenas disponível no modelo BXMMMA1000E.

Caso o seu modelo do aparelho não disponha dos acessórios descritos anteriormente, pode adquiri-los separadamente nos Serviços de Assistência Técnica.

MODO DE UTILIZAÇÃO

Notas para antes da utilização:

- ◆ Certifique-se de que retirou todo o material de embalagem do produto.
- ◆ Antes de utilizar o produto pela primeira vez, limpe as partes em contacto com os alimentos tal como se descreve no capítulo de limpeza.
- ◆ Prepare o aparelho consoante a função pretendida:

Utilização:

- ◆ Desenrole completamente o cabo antes de o ligar à tomada.
- ◆ Prepare o aparelho, montando o acessório necessário em função do tipo de ingrediente a processar.
- ◆ Corte todos os alimentos aos pedaços (recomenda-se carne sem nervos, ossos ou gordura; tamanho aproximado: 20x 20 x 60 mm) para que caibam facilmente na abertura da tampa.
- ◆ Ligue o aparelho à corrente eléctrica.
- ◆ Selecione a posição 1 do botão para ligar o aparelho.
- ◆ Introduza os ingredientes pela abertura da tampa utilizando apenas o acessório de empurrar para os empurrar para dentro do tubo de alimentação.
- ◆ Processe os alimentos.
- ◆ Para evitar um arranque demasiado brusco, ponha o aparelho em funcionamento de forma progressiva.

Uma vez concluída a utilização do aparelho:

- ◆ Pare o aparelho, acionando o botão de ligar/desligar. Selecione a posição "0".
- ◆ Desligue o aparelho da corrente eléctrica.
- ◆ Limpe o aparelho.

Acessórios:

Placas de corte (J):

- ◆ As placas de corte permitem cortar carne com uma textura mais grossa ou mais fina, dependendo do tamanho dos furos do disco.
- ◆ Prima o botão de fixação (C), segurar a cabeça e inseri-la na entrada. Ao fazê-lo, certifique-se de que o ângulo de inclinação da cabeça é igual ao indicado pela seta na parte superior; ver (Fig.1). Em seguida, rode a cabeça para a esquerda de forma a que fique bem apertada. (Fig.2).
- ◆ Insira o veio através da abertura da cabeça de corte. (Fig.3).
- ◆ Posicione a lâmina de corte no veio com a extremidade

de corte para fora. (Fig.4). Se não estiver corretamente encaixada, a carne não é picada.

- ◆ Insira uma das três placas de corte no veio, encaixando as ranhuras da placa de corte com as do bordo da saída da cabeça de corte. (Fig.5).
- ◆ Aparafuse bem o aro de fixação na saída da cabeça de corte, enroscando-o para a direita até encaixar a lâmina e a placa de corte no veio. (Fig.6).
- ◆ Posicione a bandeja no topo da cabeça de corte.

Acessório para encher salchichas (L):

- ◆ Prima o botão de fixação (C), segure a cabeça e insira-a na entrada. Ao fazê-lo, certifique-se de que o ângulo de inclinação da cabeça é igual ao indicado pela seta na parte superior; ver (Fig.1). Em seguida, rode a cabeça para a esquerda de forma a que fique bem apertada. (Fig.2).
- ◆ Insira o veio através da abertura da cabeça de corte. (Fig.3).
- ◆ Posicione a lâmina de corte no veio com a extremidade de corte para fora. (Fig.4).
- ◆ Insira a placa de corte no veio pelos orifícios maiores, encaixando as ranhuras da placa de corte com as do bordo da saída da cabeça de corte. (Fig.5).
- ◆ Insira a boca de enchimento para salchichas através do aro de fixação. (Fig.7).
- ◆ Aparafuse bem o aro de fixação na saída da cabeça de corte, enroscando-o no sentido dos ponteiros do relógio até encaixar o veio, a lâmina e a placa de corte. (Fig.6).
- ◆ Coloque a bandeja na parte superior da cabeça de corte.

Acessório para Quibe (M):

- ◆ Prima o botão de fixação (C), segure a cabeça e insira-a na entrada. Ao fazê-lo, certifique-se de que o ângulo de inclinação da cabeça é igual ao indicado pela seta na parte superior; ver (Fig.1). Em seguida, rode a cabeça para a esquerda de forma a que fique bem apertada. (Fig.2).
- ◆ Insira o veio através da abertura da cabeça de corte. (Fig.3).
- ◆ Insira o acessório de base para Quibe no veio e coloque o outro acessório para Quibe na parte superior, encaixando as ranhuras com as do bordo da saída da cabeça de enchimento. (Fig.8).
- ◆ Aparafuse bem o aro de fixação enroscando-o no sentido dos ponteiros do relógio até encaixar o acessório para Quibe no veio. (Fig.6).
- ◆ Coloque a bandeja na parte superior da cabeça de corte.

Acessório para tomate (N)

- ♦ Este acessório permite separar as sementes e a polpa do tomate para obter o seu sumo.
- ♦ Pressionar o botão de aperto (C), segurar a cabeça e inseri-la na entrada. Ao fazê-lo, certifique-se de que o ângulo de inclinação da cabeça é igual ao indicado pela seta na parte superior; ver (Fig.1). Em seguida, rode a cabeça para a esquerda de forma a que fique bem apertada. (Fig.2).
- ♦ Inserir o parafuso através da boca de saída da cabeça de corte. (Fig.3).
- ♦ Insira o acessório para tomate encaixando as ranhuras com as do bordo da saída da cabeça de enchimento. Aparafuse bem o aro de fixação, virando-o no sentido dos ponteiros do relógio até encaixar os acessórios no veio. (Fig.9).
- ♦ Coloque a válvula de controlo de pressão, o protetor antissalpícos e a bandeja de recolha de sumo.

Função Reverse (Inversão de marcha):

- ♦ Em caso de encravamento, desligue o aparelho rodando o botão para a posição "R".
- ♦ O veio irá rodar no sentido contrário e a cabeça fica vazia.
- ♦ Caso não funcione, desligue o aparelho e proceda à sua limpeza.
- ♦ Espere um minuto antes e após utilizar a função de inversão de marcha.

Se o motor bloquear:

- ♦ Se o motor rodar lentamente ou parar, tal poderá dever-se a algum alimento processado que esteja a bloquear a picadora. Neste caso, utilize o botão na posição de inversão do sentido de marcha. Para o efeito, coloque o botão de ligar/desligar na posição 0 e prima o botão de inversão do sentido da marcha. Ao efetuar esta operação, o veio irá descompactar os ingredientes (tome atenção porque com a inversão da rotação pode algum alimento saltar pela tubo/boca de enchimento). Desative a rotação em sentido inverso procedendo de maneira inversa à descrita anteriormente.
- ♦ Se o motor continuar bloqueado, desligue o aparelho da corrente e desmonte os acessórios.

Protetor térmico de segurança:

- ♦ O aparelho dispõe de um dispositivo térmico de segurança que o protege de qualquer sobreaquecimento.
- ♦ Se o aparelho se desligar sozinho e não se voltar a ligar, desligue-o da corrente e aguarde 15 minutos antes de o

ligar novamente. Se continuar sem funcionar, dirija-se a um dos Serviços de Assistência Técnica autorizados.

LIMPEZA

- ♦ Desligue o aparelho da corrente e deixe-o arrefecer antes de iniciar qualquer operação de limpeza.
- ♦ Limpe o aparelho com um pano húmido com algumas gotas de detergente e seque-o de seguida.
- ♦ Não utilize solventes, produtos com um fator pH ácido ou básico como a lixívia, nem produtos abrasivos para a limpeza do aparelho.
- ♦ Nunca mergulhe o aparelho dentro de água ou em qualquer outro líquido, nem o coloque debaixo da torneira.
- ♦ Durante o processo de limpeza deve ter especial cuidado com as lâminas pois estão muito afiadas.
- ♦ Recomenda-se limpar o aparelho regularmente e retirar todos os restos de alimentos.
- ♦ Nenhuma das partes deste aparelho pode ir à máquina de lavar louça.
- ♦ Em seguida, seque todas as peças antes de montá-las e guardá-las.

ANOMALIAS E REPARAÇÃO

- ♦ Em caso de avaria leve o aparelho a um Serviço de Assistência Técnica autorizado. Não tente desmontar ou reparar o aparelho, já que tal acarreta perigos.

GARANTIA E ASSISTÊNCIA TÉCNICA

- ♦ Este produto goza do reconhecimento e proteção da garantia legal em conformidade com a legislação em vigor. Para fazer valer os seus direitos ou interesses, deve recorrer sempre aos nossos serviços oficiais de assistência técnica.
- ♦ Poderá encontrar o mais próximo de si através do seguinte website: <http://www.2helpu.com/>.
- ♦ Também pode solicitar informações relacionadas, pon-do-se em contacto connosco (consulte a última página do manual).
- ♦ Pode fazer o download deste manual de instruções e suas atualizações em <http://www.2helpu.com/>.

Para as versões EU do produto e/ou caso aplicável no seu país:

Ecologia e reciclagem e do produto

- ♦ Os materiais que constituem a embalagem deste aparelho estão integrados num sistema de recolha, classificação e reciclagem. Se desejar eliminá-los, utilize os contentores de reciclagem colocados à disposição

para cada tipo de material.

- ♦ O produto está isento de concentrações de substâncias que possam ser consideradas nocivas para o ambiente.



Este símbolo significa que se desejar desfazer-se do produto depois de terminada a sua vida útil, deve entregá-lo através dos meios adequados ao cuidado de um gestor de resíduos autorizado para a recolha seletiva de Resíduos de Equipamentos Elétricos e

Eletrónicos (REEE).

Este aparelho cumpre a Diretiva 2014/35/CE de Baixa Tensão, a Diretiva 2014/30/UE de Compatibilidade Eletromagnética a Diretiva 2011/65/UE sobre restrições à utilização de determinadas substâncias perigosas em aparelhos elétricos e eletrónicos e a Diretiva 2009/125/CE sobre os requisitos de design ecológico aplicável aos produtos relacionados com a energia.

GEHAKTMOLEN

BXMM1000E

BXMM1000E

Geachte klant:

We danken u voor de aankoop van een product van het merk Black+Decker. De technologie, het ontwerp en de functionaliteit van dit product, dat voldoet aan de meest strikte kwaliteitseisen, staan garant voor langdurige tevredenheid.

VEILIGHEIDSADVIEZEN EN WAARSCHUWINGEN

- ◆ Neem deze gebruiksaanwijzing aandachtig door voordat u het apparaat in gebruik neemt en bewaar haar voor toekomstig gebruik. Het niet opvolgen en naleven van deze instructies kan een ongeluk tot gevolg hebben.
 - ◆ Voor het eerste gebruik moet u alle delen van het apparaat die met voedingsmiddelen in aanraking kunnen komen schoonmaken, zoals aangegeven in het hoofdstuk reiniging.
 - ◆ Het apparaat mag niet door kinderen gebruikt worden. Houd het apparaat en zijn aansluiting op het lichtnet buiten het bereik van kinderen.
 - ◆ Dit apparaat mag gebruikt worden door personen met verminderde, fysieke, zintuiglijke of mentale capaciteiten, of personen met weinig ervaring als ze onder toezicht staan of passende training hebben ontvangen om het apparaat veilig te kunnen hanteren en de risico's kennen.
 - ◆ Dit apparaat is geen speelgoed.
- Houd toezicht op kinderen om er zeker van te zijn dat ze niet met het apparaat spelen.
- ◆ De messen zijn scherp en kunnen letsel veroorzaken. Wees voorzichtig en voorkom direct contact met de scherpe kant van de messen.
 - ◆ Wees extra voorzichtig tijdens het monteren en demonteren van de messen, het legen van de kan en reiniging.
 - ◆ Haal de stekker van het apparaat uit het stopcontact wanneer u het niet gebruikt en alvorens accessoires of bewegende delen te vervangen, monteren, demonteren of reinigen.
 - ◆ LET OP: Om te voorkomen dat de zekering doorbrandt, mag het apparaat niet aangesloten worden via een externe schakeling van de voedingsspanning, zoals een timer. Ook mag het apparaat niet aangesloten worden op een stroomcircuit waarvan geregeld de spanning wordt afgehaald, bijvoorbeeld door het energiebedrijf
 - ◆ Als het netsnoer beschadigd is, moet het worden vervangen. Breng het apparaat naar een erkende Technische Service. Probeer het apparaat niet zelf te demonteren of repareren om risico's te vermijden.
 - ◆ Dit apparaat is alleen bedoeld voor huishoudelijk gebruik, niet voor professioneel of industrieel gebruik.

- ◆ Controleer dat de spanningsgegevens op het typeplaatje overeenkomen met die van het stroomnet alvorens het apparaat erop aan te sluiten.
- ◆ Sluit het apparaat aan op een stopcontact dat tenminste 10 Ampère kan leveren.
- ◆ De stekker van het apparaat moet geschikt zijn voor het stopcontact. Wijzig de stekker niet. Gebruik geen adapters.
- ◆ Plaats het apparaat niet op hete oppervlakken zoals kookplaten, gasbranders, ovens of dergelijke.
- ◆ Plaats het apparaat voor gebruik op een vlak en stabiel oppervlak.
- ◆ Gebruik het apparaat niet wanneer de voedingskabel of de stekker beschadigd is.
- ◆ Als een deel van de behuizing beschadigd wordt moet u de stekker van het apparaat onmiddellijk uit het stopcontact trekken om een elektrische schok te voorkomen.
- ◆ Gebruik het apparaat niet als het is gevallen, wanneer er zichtbare tekenen van schade zijn of wanneer het lekt.
- ◆ Forceer het stroomsnoer niet. Gebruik het snoer nooit om het apparaat op te tillen, te transporteren of om de stekker uit het stopcontact te trekken.
- ◆ Controleer de staat van de elektriciteitskabel. Beschadigde kabels of kabels die in de war zijn vergroten het risico van elektrische schokken.
- ◆ Bewaar of gebruik het apparaat niet buitenshuis.
- ◆ Raak de stekker niet met natte handen aan.
- ◆ Neem de nodige voorzorgsmaatregelen om te vermijden dat het apparaat onverhoopt wordt ingeschakeld.
- ◆ Raak de bewegende onderdelen van het apparaat niet aan wanneer het aan staat.
- ◆ Wees voorzichtig wanneer u het apparaat uitschakelt. Door mechanische inertie blijft het mes of blijven de messen nog even draaien.
- ◆ De temperatuur van de toegankelijke oppervlakken kan hoog zijn als het apparaat in werking is.

Gebruik en onderhoud:

- ◆ Rol voor gebruik het netsnoer van het apparaat volledig af.
- ◆ Gebruik het apparaat niet wanneer de hulpstukken niet correct aangesloten zijn.
- ◆ Gebruik het apparaat niet als de aangekoppelde accessoires beschadigd zijn. Vervang ze onmiddellijk.
- ◆ Gebruik het apparaat niet als de aan/uit knop niet werkt.
- ◆ Verplaats het apparaat niet terwijl het in gebruik is.
- ◆ Overschrijd de maximale capaciteit van het apparaat niet.
- ◆ Houd dit apparaat buiten bereik van kinderen en/of

- personen met lichamelijke, zintuiglijke of geestelijke beperkingen, of met een gebrek aan ervaring en kennis.
- ◆ Houd het apparaat in goede staat. Controleer dat de bewegende delen niet scheef of klem zitten, dat de onderdelen niet beschadigd zijn en er geen andere problemen zijn die de correcte werking van het apparaat negatief kunnen beïnvloeden.
- ◆ Volg deze aanwijzingen altijd nauwgezet op bij gebruik van het apparaat en zijn accessoires en hulpmiddelen. Houd altijd rekening met de arbeidsomstandigheden en de uit te voeren werkzaamheden. Als u het apparaat voor andere dan de voorziene doeleinden gebruikt, kan dat gevaarlijk zijn.
- ◆ Gebruik uitsluitend de stamper om voedingsmiddelen in de vultrechter te voeren; gebruik nooit uw vingers of andere accessoires.
- ◆ Bewaak het apparaat voortdurend terwijl het in gebruik is.
- ◆ Gebruik het apparaat nooit langer dan 3 minuten
- ◆ Plaats geen bevroren ingrediënten of beenderen in het apparaat.

Reparaties:

- ◆ Onjuist gebruik of een gebruik dat niet overeenstemt met de gebruiksaanwijzing kan gevaar inhouden en doet de garantie en de aansprakelijkheid van de fabrikant teniet.

BESCHRIJVING

- A Knop (ON/OFF/Achteruit)
- B Romp
- C Blokkeerknop
- D Zone voor installatie van de maaleenheid
- E Stamper
- F Vulopening
- G Maaleenheid
- H Continu draaiende schroef
- I Mes
- J Maalschijven (3 afmetingen)
- K Blokkeerand
- L Mondstuk voor worst
- M Accessoire voor Kibbeh (Arabische gehaktballetjes)
- N Accessoire voor tomatensaus (*)

(*) Alleen beschikbaar voor model BXMMA1000E.

Mocht het model van uw apparaat niet beschikken over de hiervoor beschreven hulpstukken, dan kunt u deze ook apart verkrijgen bij de Technische Hulpdienst.

GEBRUIKSAANWIJZING

Opmerkingen voorafgaand aan het gebruik:

- ♦ Controleer dat al het verpakkingsmateriaal van het product verwijderd is.
- ♦ Reinig voor het eerste gebruik alle delen van het apparaat die met voedingsmiddelen in aanraking kunnen komen, zoals aangegeven in het onderdeel Reiniging.
- ♦ Breng het apparaat in gereedheid in overeenstemming met de gewenste functie:

Gebruik:

- ♦ Rol het snoer helemaal af alvorens de stekker in het stopcontact te steken.
- ♦ Kies het accessoire voor de gewenste bereiding van de ingrediënten en bevestig het op het apparaat.
- ♦ Snij het voedsel in stukken (vlees zonder pezen, botten en vet wordt aanbevolen, afmetingen ongeveer 20 x 20 x 60 mm) zodat ze makkelijk in de vulopening passen.
- ♦ Steek de stekker in het stopcontact.
- ♦ Zet het apparaat aan door de knop op stand 1 te zetten.
- ♦ Plaats de ingrediënten op de plaat van de vultrechter en gebruik uitsluitend de perser om ze in de buis in te voeren.
- ♦ Bereid de voedingsmiddelen voor.
- ♦ Om te voorkomen dat de machine te bruusk start, voer de snelheid geleidelijk op.

Na gebruik van het apparaat:

- ♦ Stop het apparaat door op de aan-/uitknop te drukken. Zet de knop in de stand "0".
- ♦ Trek de stekker uit het stopcontact.
- ♦ Reinig het apparaat.

Accessoires:

Maalschijven (J):

- ♦ Met deze maalschijven kunt u naargelang de afmetingen van de gaten in de schijven vlees grover of fijner malen.
- ♦ Druk op de blokkeerknop (C), houd de maaleenheid vast en plaats deze op de inlaat. Let bij het plaatsen op de pijl aan de bovenkant, zie (Fig.1). Draai het hoofd dan tegen de richting van de klok in om deze stevig vast te maken. (Fig. 2).
- ♦ Plaats de vulschroef door de uitlaatopening van de maaleenheid. (Fig. 3)
- ♦ Plaats het mes op de schroef zodat de scherpe kan naar buiten wijst. (Fig. 4). Wanneer het niet goed geplaatst is zal het vlees niet gemalen worden.
- ♦ Plaats één van de drie maalschijven op de vulschroef,

waarbij de nokjes op de plaat in de groeven van opening moeten worden geplaatst. (Fig. 5).

- ♦ Schroef de blokkeerrand stevig op de uitlaat van de maaleenheid, tegen de klok in en blokkeer op die manier de vulschroef, mes en maalschijf. (Fig. 6).
- ♦ Plaats de vulopening bovenop de maaleenheid.

Spuitmond voor het vullen van worst (L):

- ♦ Druk op de blokkeerknop (C), houd de maaleenheid vast en plaats deze op de inlaat. Let bij het plaatsen op de pijl aan de bovenkant, zie (Fig.1). Draai het hoofd dan tegen de richting van de klok in om deze stevig vast te maken. (Fig. 2).
- ♦ Plaats de vulschroef door de uitlaatopening van de maaleenheid. (Fig. 3)
- ♦ Plaats het mes op de schroef zodat de scherpe kan naar buiten wijst. (Fig. 4).
- ♦ Plaats de maalschijf met de grootste gaten op de vulschroef, waarbij de nokjes op de plaat in de groeven van opening moeten worden geplaatst. (Fig. 5).
- ♦ Steek de spuitmond voor het vullen van word door de bevestigingsring. (Fig. 7).
- ♦ Schroef de blokkeerrand stevig op de uitlaat van de maaleenheid, tegen de klok in en blokkeer op die manier de vulschroef, mes en spuitmond. (Fig. 6).
- ♦ Plaats de vulopening bovenop de maaleenheid.

Accessoire voor Kibbeh (Arabische gehaktballetjes) (M):

- ♦ Druk op de blokkeerknop (C), houd de maaleenheid vast en plaats deze op de inlaat. Let bij het plaatsen op de pijl aan de bovenkant, zie (Fig.1). Draai het hoofd dan tegen de richting van de klok in om deze stevig vast te maken. (Fig. 2).
- ♦ Plaats de vulschroef door de uitlaatopening van de maaleenheid. (Fig. 3)
- ♦ Plaats het accessoire voor basis-Kibbeh on de vulschroef en plaats het andere Kibbeh-accessoire bovenop, waarbij de nokjes op de plaat in de groeven van opening moeten worden geplaatst. (Fig.8).
- ♦ Schroef de blokkeerrand stevig tegen de klok in en blokkeer op die manier het Kibbeh-accessoires op de vulschroef. (Fig. 6).
- ♦ Plaats de vulopening bovenop de maaleenheid.

Accessoire voor tomatensaus (N)

- ♦ Met dit accessoire kunt u de pitjes en het vruchtvlees van de tomaat scheiden en er sap van maken.
- ♦ Druk op de blokkeerknop (C), houd de maaleenheid vast

en plaats deze op de inlaat. Let bij het plaatsen op de pijp aan de bovenkant, zie (Fig.1). Draai het hoofd dan tegen de richting van de klok in om deze stevig vast te maken. (Fig. 2).

- ◆ Plaats de vulschroef door de uitlaatopening van de maaleenheid. (Fig. 3)
- ◆ Plaats het accessoire voor tomatensap, zodat de nokjes op de plaat in de groeven van opening vallen. Draai de bevestigingsring stevig rechtsom totdat het accessoire stevig op de schroef zit. (Fig.9).
- ◆ Plaats de drukklep, de bescherming tegen spatten en de saplade.

Achteruitfunctie:

- ◆ Wanneer het apparaat vast komt te zitten, zet het apparaat uit en draai de knop naar de "R" stand.
- ◆ De vulschroef draait in tegenovergestelde richting en de maaleenheid zal vrijkomen.
- ◆ De vulschroef draait in tegenovergestelde richting en de maaleenheid zal vrijkomen.
- ◆ Wacht een minuut voor en na het activeren van de achteruitfunctie.

Indien de motor geblokkeerd is:

- ◆ Wanneer de motor langzaam draait of stopt, wordt de centrifuge mogelijk geblokkeerd door een klemzittend stuk fruit. Gebruik in dit geval de knop om de draairichting om te keren. Zet hiervoor de aan/uit schakelaar in de stand 0 en druk op de knop voor het omkeren van de draairichting. Hierdoor zal de wormschroef het fruit losmaken (let op, bij een omkering van de draairichting kan een deel van het fruit uit de vulbuis komen). Zet de draairichting weer in de normale stand door de voorgaande stappen in omgekeerde volgorde te doorlopen.
- ◆ Als de motor nog steeds geblokkeerd is, koppel het apparaat los van het lichtnet en demonteer de accessoires.

Thermische beveiliging:

- ◆ Dit apparaat beschikt over een thermische beveiliging die het apparaat tegen oververhitting beveiligd.
- ◆ Wanneer het apparaat spontaan uitschakelt en niet opnieuw inschakelt, trek de stekker uit het stopcontact en wacht 15 minuten alvorens de stekker opnieuw in het stopcontact te steken. Indien het apparaat dan nog steeds niet werkt, neem contact op met een erkende technische dienst.

REINIGING

- ◆ Trek de stekker uit het stopcontact en laat het apparaat afkoelen alvorens het te reinigen.
- ◆ Maak het apparaat schoon met een vochtige doek met een paar druppels afwasmiddel en droog het daarna goed af.
- ◆ Gebruik geen oplosmiddelen of producten met een zure of basische pH zoals bleekwater, noch schuurmiddelen, om het apparaat schoon te maken.
- ◆ Dompel het apparaat niet onder in water of een andere vloeistof en houd het niet onder de kraan.
- ◆ Wees extra voorzichtig met de messen tijdens het schoonmaken, want deze zijn zeer scherp.
- ◆ Het is raadzaam om het apparaat geregeld schoon te maken en om alle voedselresten te verwijderen.
- ◆ De onderdelen van dit apparaat kunnen niet in de vaatwasser gereinigd worden
- ◆ Droog alle onderdelen goed af alvorens het apparaat opnieuw te monteren en op te bergen.

STORINGEN EN REPARATIE

- ◆ Breng het apparaat bij storing naar een erkende Technische Dienst. Probeer het apparaat niet zelf te demonteren of te repareren, want dit kan gevaarlijk zijn.

GARANTIE EN TECHNISCHE ONDERSTEUNING

- ◆ Dit product valt onder de legale garantievoorwaarden zoals bepaald in de actuele wetgeving. Om een beroep te doen op uw rechten of aanspraken kunt u contact opnemen met onze officiële technische service.
- ◆ U kunt de dichtstbijzijnde technische service vinden op de website: <http://www.2helpu.com/>
- ◆ Voor verdere informatie kunt u ook contact met ons opnemen (zie de laatste bladzijde van de gebruiksaanwijzing).
- ◆ U kunt deze gebruiksaanwijzing en eventuele actualiseringen ervan downloaden via <http://www.2helpu.com/>.

Voor EU-versies van het product en/of indien van toepassing in uw land:

Ecologie en hergebruik van het product

- ◆ Het verpakkingsmateriaal van dit apparaat is geschikt voor inzameling, classificatie en hergebruik. U kunt dit materiaal wegwerpen in de openbare afvalcontainers die voor de desbetreffende typen materiaal zijn bestemd.
- ◆ Het product bevat geen stoffen in concentraties die als schadelijk voor het milieu beschouwd kunnen worden.



Dit symbool betekent dat u het product aan het eind van zijn levenscyclus moet afgeven aan een erkende afvalverwerker ten behoeve van de gescheiden verwerking van Afgedankte Elektrische en Elektronische Apparatuur (AEEA).

Dit apparaat voldoet aan de laagspanningsrichtlijn 2014/35/EG, met de richtlijn 2014/30/EG met betrekking tot elektromagnetische compatibiliteit en met de richtlijn 2011/65/EG met betrekking tot beperkingen in de toepassing van bepaalde gevaarlijke stoffen in elektrische en elektronische apparaten en met de richtlijn 2009/125/EG met betrekking tot de eisen inzake ecologisch ontwerp voor energiegerelateerde producten.

MASZYNA DO MIELENIA MIĘSA

BXMM1000E

BXMMA1000E

Szanowny Kliencie,

Serdecznie dziękujemy za zdecydowanie się na zakup sprzętu gospodarstwa domowego marki Black+Decker.

Jej technologia, forma i funkcjonalność, jak również fakt, że spełnia ona wszelkie normy jakości, dostarczy Państwu pełnej satysfakcji przez długi czas.

PORADY I OSTRZEŻENIA DOTYCZĄCE BEZPIECZEŃSTWA

- ◆ Przeczytać uważnie instrukcję przed uruchomieniem urządzenia i zachować ją w celu późniejszych konsultacji. Niedostosowanie się i nieprzestrzeganie niniejszych instrukcji może doprowadzić do wypadku.
- ◆ Przed pierwszym użyciem należy umyć wszystkie części urządzenia, które mogą mieć kontakt z pokarmami, postępując zgodnie z instrukcją.
- ◆ Dzieci nie powinny używać tego urządzenia. Konserwacja urządzenia i podłączanie go do sieci nie mogą być wykonywane przy dzieciach.
- ◆ Urządzenie może być używane przez osoby niezapoznane z tego typu produktem, osoby niepełnosprawne, tylko i wyłącznie pod kontrolą dorosłych zapoznanym z tego typu sprzętem.
- ◆ To urządzenie nie jest zabawką. Dzieci powinny pozostać pod czujną opieką w celu zagwarantowania iż nie bawią się urządzeniem.
- ◆ Noże są ostre i mogą zranić użytkownika. Należy obchodzić się z nimi bardzo ostrożnie i unikać bezpośredniego kontaktu.
- ◆ Należy zwrócić szczególną uwagę na bezpieczeństwo podczas czyszczenia, rozkładania, montażu noży lub dzbanka.
- ◆ Wylączyć urządzenie z prądu, jeśli nie jest ono używane i przed przystąpieniem do jakiegokolwiek czyszczenia
- ◆ UWAGA: Aby uniknąć ryzyka niepożądanego włączenia, nie należy podłączać urządzenia do sieci za pośrednictwem zewnętrznych przełączników, przedłużaczy lub czasomierzy elektronicznych, które regularnie włączają i wyłączają urządzenie, nie należy podłączać urządzenia do sieci wraz z innymi urządzeniami.
- ◆ W razie awarii zanieść urządzenie do autoryzowanego Serwisu Technicznego. Nie próbować rozbierać urządzenia ani go naprawiać, ponieważ może to być niebezpieczne.
- ◆ Urządzenie to zaprojektowane zostało wyłącznie do użytku domowego, a nie do użytku profesjonalnego czy przemysłowego.
- ◆ Przed podłączeniem urządzenia do sieci, sprawdzić czy napięcie wskazane na tabliczce znamionowej odpowiada napięciu sieci.
- ◆ Podłączać urządzenie do sieci elektrycznej o sile co najmniej 10 amperów.

- ♦ Wtyczka urządzenia powinna być zgodna z podstawą elektryczną gniazdka. Nigdy nie modyfikować wtyczki. Nie używać przejściówek dla wtyczki.
- ♦ Nie kłaść urządzenia na gorących powierzchniach takich jak płyty grzejne, palniki gazowe piekarniki i podobne urządzenia.
- ♦ Urządzenie powinno być ustawiane i używane na powierzchni płaskiej i stabilnej.
- ♦ Nie używać urządzenia, gdy kabel elektryczny lub wtyczka jest uszkodzona.
- ♦ Jeśli popełka jakiś element obudowy urządzenia, natychmiast wyłączyć urządzenie z prądu, aby uniknąć porażenia prądem.
- ♦ Nie używać urządzenia, jeśli ono upadło czy kiedy występują widoczne oznaki uszkodzenia, albo jeśli istnieją wycieki.
- ♦ Nie napiąć elektrycznego kabla połączeń. Nie używać nigdy kabla elektrycznego do podnoszenia, przenoszenia ani wyłączania urządzenia.
- ♦ Sprawdzać stan elektrycznego kabla połączeń. Uszkodzone czy zaplątane kable zwiększają ryzyko porażenia prądem.
- ♦ Nie używać, ani nie przechowywać urządzenia na zewnątrz.
- ♦ Nie dotykać wtyczki mokrymi rękoma.
- ♦ Należy przestrzegać środków ostrożności, by zapobiegać niezamierzonemu włączeniu urządzenia.
- ♦ Nie dotykać ruchomych części urządzenia, kiedy jest ono w trakcie działania.
- ♦ Należy zachować ostrożność po wyłączeniu urządzenia, gdyż na podstawie inercji mechanicznej noże będą się dalej obracały.
- ♦ Temperatura dostępnych powierzchni może ulec podniesieniu, kiedy urządzenie jest podłączone do sieci.

Używanie i konserwacja:

- ♦ Przed każdym użyciem, rozwinąć całkowicie przewód zasilania urządzenia.
- ♦ Nie używać urządzenia jeśli jego akcesoria lub filtry nie są odpowiednio dopasowane.
- ♦ Nie stosować urządzenia, jeśli zamocowane do niego akcesoria posiadają wady. Należy je wówczas natychmiast wymienić.
- ♦ Nie używać urządzenia, jeśli nie działa przycisk włączania ON/OFF.
- ♦ Nie ruszać urządzenia w czasie jego działania.
- ♦ Nie przeciążać urządzenia ponad dopuszczalne normy wydajności pracy.
- ♦ Przechowywać urządzenie w miejscu niedostępnym dla dzieci i/lub osób o ograniczonych zdolnościach fizycz-

- nych, dotykowych lub mentalnych oraz nie posiadających doświadczenia lub znajomości tego typu urządzeń.
- ♦ Utrzymywać urządzenie w dobrym stanie. Sprawdzać, czy ruchome części nie są poprzesławiane względem siebie czy zakleszczone, czy nie ma zepsutych części czy innych warunków, które mogą wpłynąć na właściwe działanie urządzenia.
- ♦ Urządzenie i jego akcesoria należy używać zgodnie z powyższą instrukcją obsługi, używanie go do innych celów niż opisane może powodować niebezpieczeństwo. Nie należy używać go do innych celów niż przeznaczone, gdyż może to spowodować zagrożenie dla zdrowia.
- ♦ W celu opróżnienia przewodu z produktów żywnościowych, należy zawsze używać akcesoriów zalecanych przez producenta, nigdy próbować wyjąć je palcami lub innymi przyrządami
- ♦ Nie pozostawiać urządzenia bez nadzoru w czasie jego działania.
- ♦ Nie należy używać przez więcej niż 3 minuta.
- ♦ Nie wolno używać urządzenia do mielenia produktów zamrożonych lub kości.

Serwis techniczny:

- ♦ Wszelkie niewłaściwe użycie lub niezgodne z instrukcją obsługi może doprowadzić do niebezpieczeństwa, anulując przy tym gwarancję i odpowiedzialność producenta.

OPIS

- A Przycisk (ON/OFF/Bieg wsteczny)
- B Korpus
- C Przycisk blokady komory mielenia
- D Obszar do zainstalowania głowicy
- E Popychacz
- F Taca zasypowa
- G Komora mielenia
- H Śruba - ślimak
- I Nóż tnący
- J Tarcze tnące - mielące (3 rozmiary)
- K Nakrętka zewnętrzna
- L Dysza do kielbasy
- M Akcesoria do Kebbe
- NAkcesoria do przecieru pomidorowego (*)

(*) Dostępne tylko w przypadku modelu BXMM1000E. W przypadku, jeśli model Państwa urządzenia nie posiada opisanych powyżej akcesoriów, te można również nabyć osobno w Serwisie Technicznym.

SPOSÓB UŻYCIA

Uwagi przed użyciem:

- ◆ Upewnij się, że z opakowania zostały wyjęte wszystkie elementy urządzenia.
- ◆ Przed pierwszym użyciem należy umyć wszystkie części urządzenia, które mogą mieć kontakt z pokarmami, postępując zgodnie z instrukcją.
- ◆ Przygotowanie urządzenia do pracy w zależności od czynności, którą będzie wykonywać:

Sposób użycia:

- ◆ Całkowicie rozwinąć kabel przed podłączeniem urządzenia.
- ◆ Przygotować urządzenie z potrzebną przystawką w zależności od artykułu spożywczego, który będziemy przetwarzać.
- ◆ Pokroić mięso na kawałki (Polecamy używanie mięsa bez kości i tłuszczu, nie zbyt miękkie, o orientacyjnych wymiarach kawałków: 20 x 20 x 60 mm) tak aby mogły one z łatwością zmieścić się w otworze miski zasypowej.
- ◆ Podłączyć urządzenie do prądu.
- ◆ Podłączyć urządzenie do sieci elektrycznej.
- ◆ Wyłożyć artykuły na tacy zasypowej, aby następnie wprowadzić jej do otworu zasypowego używając przy tym popychacza.
- ◆ Pracować z wykorzystaniem produktów żywnościowych, jakie chce się przetworzyć.
- ◆ Aby uniknąć zbyt gwałtownego rozruchu, gdyż rozruch urządzenia odbywa się progresywnie.

Po zakończeniu korzystania z urządzenia:

- ◆ Wyłączyć urządzenie za pomocą przycisku ON/OFF. Wybrać pozycję „0”
- ◆ Wyłączyć urządzenie z sieci elektrycznej.
- ◆ Wyczyścić urządzenie.

Aksesoria:

Sitka mielące (J):

- ◆ Sitka mielące pozwalają na mielenie mięsa grubiej lub drobniej w zależności od wielkości dziurek sitka.
- ◆ Przycisnąć przycisk blokady (C) komory mielenia i włożyć ją do otworu. Podczas wkładania upewnić się że komora mielenia jest ustawiona w lekko przechylonej pozycji jak wskazano za pomocą strzałki, zobacz (Rys.1). Następnie należy przekręcić ją w kierunku przeciwnym do ruchu wskazówek zegara, tak żeby komora mielenia ściśle się dopasowała. (Rys.2).
- ◆ Włożyć śrubę ślimakową do zewnętrznego otworu

komory mielenia. (Rys.3).

- ◆ Umieścić nóż na śrubie częścią tnącą skierowaną na zewnątrz (Rys.4). Jeśli nie jest odpowiednio zamocowana mięso nie będzie mielone.
- ◆ Nałożyć jedno z trzech sitek mielących, dopasowując je do wypustów na obwodzie otworu zewnętrznego komory mielenia. (Rys.5).
- ◆ Przykręcić mocno nakrętkę zewnętrzną do komory mielenia, zgodnie z ruchem wskazówek zegara, aby dopasować śrubę, nożyk i sitko mielące. (Rys.6).
- ◆ Umieścić tacę zasypową na otworze górnym komory mielenia.

Nakładka do robienia kielbas (L):

- ◆ Przycisnąć przycisk blokady (C) komory mielenia i włożyć ją do otworu. Podczas wkładania upewnić się że komora mielenia jest ustawiona w lekko przechylonej pozycji jak wskazano za pomocą strzałki, zobacz (Rys.1). Następnie należy przekręcić ją w kierunku przeciwnym do ruchu wskazówek zegara, tak żeby komora mielenia ściśle się dopasowała. (Rys.2).
- ◆ Włożyć śrubę ślimakową do zewnętrznego otworu komory mielenia. (Rys.3).
- ◆ Umieścić nóż na śrubie częścią tnącą skierowaną na zewnątrz (Rys.4).
- ◆ Nałożyć sitko mielące o największych otworach na śrubę, dopasowując je do wgłębień na obwodzie otworu zewnętrznego komory mielenia. (Rys.5).
- ◆ Wprowadzić dyszę na kielbasę poprzez pierścień mocujący. (Rys.7).
- ◆ Przykręcić mocno nakrętkę zewnętrzną do komory mielenia, zgodnie z ruchem wskazówek zegara, aby dopasować śrubę, nożyk i sitko mielące. (Rys.6).
- ◆ Umieścić tacę zasypową na otworze górnym komory mielenia.

Aksesoria do Kebbe (M):

- ◆ Przycisnąć przycisk blokady (C) komory mielenia i włożyć ją do otworu. Podczas wkładania upewnić się że komora mielenia jest ustawiona w lekko przechylonej pozycji jak wskazano za pomocą strzałki, zobacz (Rys.1). Następnie należy przekręcić ją w kierunku przeciwnym do ruchu wskazówek zegara, tak żeby komora mielenia ściśle się dopasowała. (Rys.2).
- ◆ Włożyć śrubę ślimakową do zewnętrznego otworu komory mielenia. (Rys.3).
- ◆ Umieścić pierwszą część akcesoria do Kebbe na śrubie a następnie jego drugą część, dopasowując je do wgłębień na obwodzie otworu komory mielenia (Rys.8).
- ◆ Przykręcić mocno nakrętkę zewnętrzną do komory

mielenia, zgodnie z ruchem wskazówek zegara, aby dopasować śrubę i akcesoria do Kebbe. (Rys.6).

- ♦ Umieścić tacę zasypową na otworze górnym komory mielenia.

Akcesoria do pomidorów (N)

- ♦ Ta przystawka pozwala na oddzielenie pestek od miąższu pomidora, aby uzyskać z niego sok.
- ♦ Przycisnąć przycisk blokady (C) komory mielenia i włożyć ją do otworu. Podczas wkładania upewnić się że komora mielenia jest ustawiona w lekko przechylonej pozycji jak wskazano za pomocą strzałki, zobacz (Rys.1). Następnie należy przekręcić ją w kierunku przeciwnym do ruchu wskazówek zegara, tak żeby komora mielenia ściśle się dopasowała. (Rys.2).
- ♦ Włożyć śrubę ślimakową do zewnętrznego otworu komory mielenia. (Rys.3).
- ♦ Umieścić przystawkę do pomidorów, dopasowując wypusty z wycięciami na krawędzi otworu napelniającego. Dociskając mocno pierścień mocujący zakręcać zgodnie z ruchem wskazówek zegara aż przystawka zamocuje się na śrubę. (Rys.9).
- ♦ Zamontować zawór kontrolny ciśnienia, osłonę przeciwbryzgową i tacę do zbierania soku

Funkcja biegu wstecznego (Reverse):

- ♦ W przypadku powstania zatoru, należy wyłączyć urządzenie przekręcając przycisk na pozycję „R”.
- ♦ Śruba ślimakowa zacznie kręcić się w przeciwnym kierunku i komora mielenia opróżni się
- ♦ Jeśli to nie pomaga, należy wyłączyć urządzenie i umyć je.
- ♦ Należy odczekać około minuty przed i po użyciu funkcji biegu wstecznego.

Jeśli zablokuje się silnik:

- ♦ Jeśli silnik porusza się powoli lub się zatrzymuje, może to być spowodowane tym, że żywności którą przetwarzamy blokuje urządzenie. W takim przypadku należy użyć przełącznika kierunku cofania. W tym celu; ustawić przełącznik w pozycji 0, nacisnąć przycisk kierunku cofania. Wykonując tę operację, ślimak rozluźni żywność (uwaga w tej sytuacji obrotów w przeciwnym kierunku, część żywności może opuścić rurę / tacę do napelniania). Dezaktywować obrót w przeciwnym kierunku, postępując w kolejności odwrotnej do tego, co wyjaśniono powyżej.
- ♦ Jeśli silnik jest nadal zablokowany, należy odłączyć urządzenie od zasilania i wyjąć akcesoria.

Ochrona przed przegrzaniem:

- ♦ Urządzenie posiada termiczny system bezpieczeństwa, który chroni je przed przegrzaniem.
- ♦ Jeśli urządzenie się samo wyłącza i nie włącza się ponownie, należy je odłączyć od prądu, odczekać około 15 minut przed ponownym podłączeniem go. Jeśli nadal nie działa, skontaktować się z jednym z autoryzowanych serwisów technicznych.

CZYSZCZENIE

- ♦ Odłączyć urządzenie z sieci i pozostawić aż do ochłodzenia przed przystąpieniem do jakiegokolwiek czyszczenia.
- ♦ Czyścić urządzenie wilgotną szmatką zmoczoną kilkoma kroplami płynu i następnie osuszyć.
- ♦ Nie używać do czyszczenia urządzenia rozpuszczalników, produktów z czynnikiem PH takich jak chlor, ani środków żrących.
- ♦ Nie zanurzać urządzenia w wodzie ni innej cieczy, nie wkładać pod kran.
- ♦ W trakcie czyszczenia, należy szczególnie uważać na noże, ponieważ są one bardzo ostre.
- ♦ Zaleca się regularne czyszczenie urządzenia i usuwanie z niego pozostałości produktów żywnościowych.
- ♦ Żaden element tego urządzenia nie nadaje się do mycia w zmywarce.
- ♦ Wysuszyć wszystkie elementy przed ponownym montażem.

NIEPRAWIDŁOŚCI I NAPRAWA

- ♦ W razie awarii zanieść urządzenie do autoryzowanego Serwisu Technicznego. Nie próbować rozbierać urządzenia ani go naprawiać, ponieważ może to być niebezpieczne.

GWARANCJA I SERWIS TECHNICZNY

- ♦ Ten produkt jest uznawany i chroniony prawną gwarancją zgodnie z obowiązującymi przepisami. W celu wyegzekwowania swoich praw lub interesów, należy udać się do dowolnego z naszych oficjalnych usług pomocy technicznej.
- ♦ Najbliższy punkt można znaleźć, korzystając z poniższego linku: <http://www.2helpu.com/>
- ♦ Można również poprosić o informacje, kontaktując się z nami (patrz ostatnia strona instrukcji).
- ♦ Można też pobrać niniejszą instrukcję obsługi i jej aktualizację na <http://www.2helpu.com/>.

Dla urzędzeń wyprodukowanych w Unii Europejskiej i w przypadku wymagań prawnych obowiązujących w danym kraju:

Ekologia i zarządzanie odpadami

- ♦ Materiały, z których wykonane jest opakowanie tego urządzenia, znajdują się w ramach systemu zbierania, klasyfikacji oraz ich odzysku. Jeżeli chcecie Państwo się ich pozbyć, należy umieścić je w kontenerze przeznaczonym do tego typu materiałów.
- ♦ Produkt nie zawiera koncentracji substancji, które mogłyby być uznane za szkodliwe dla środowiska.



Symbol ten oznacza, że jeśli chcecie się Państwo pozbyć tego produktu po zakończeniu okresu jego użytkowania, należy go przekazać przy zastosowaniu określonych środków do autoryzowanego podmiotu zarządzającego odpadami w celu przeprowadzenia selektywnej

zbiórki Odpadów Urządzeń Elektrycznych i Elektronicznych (WEEE).

To urządzenie jest zgodne z dyrektywą 2014/35 / UE niskonapięciowych 2014/30 / UE o Kompatybilność elektromagnetycznej, z dyrektywą 2011/65 / UE w sprawie ograniczenia stosowania niektórych niebezpiecznych substancji w sprzęcie elektrycznym i elektronicznym oraz dyrektywą 2009/125 / WE w sprawie wymogów dotyczących ekoprojektu stosowanego w produktach związanych z energią.

ΚΡΕΑΤΟΜΗΧΑΝΗ

BXMM1000E

BXMMA1000E

Αξιότιμε πελάτη:

Σας ευχαριστούμε που αποφασίσατε να αγοράσετε ένα προϊόν μάρκας Black+Decker.

Η τεχνολογία, ο σχεδιασμός και η λειτουργία του, σε συνδυασμό με το γεγονός ότι το προϊόν πληροί τις αυστηρότερες προδιαγραφές ποιότητας θα σας εξασφαλίσουν πλήρη ικανοποίηση για πολύ καιρό.

ΟΔΗΓΙΕΣ ΚΑΙ ΠΡΟΕΙΔΟΠΟΙΗΣΕΙΣ ΑΣΦΑΛΕΙΑΣ

- ♦ Διαβάστε προσεκτικά το παρόν φυλλάδιο οδηγιών πριν θέσετε σε λειτουργία τη συσκευή, και φυλάξτε το για να το συμβουλευέστε στο μέλλον. Η μη τήρηση και μη συμμόρφωση με τις εν λόγω οδηγίες μπορούν να οδηγήσουν σε ατύχημα.
 - ♦ Πριν την πρώτη χρήση, καθαρίστε όλα τα μέρη του προϊόντος που μπορεί να έρθουν σε επαφή με τρόφιμα, κάνοντας αυτά που αναφέρονται στην παράγραφο για την καθαριότητα.
 - ♦ Αυτή η συσκευή δεν πρέπει να χρησιμοποιείται από παιδιά. Φυλάξτε τη συσκευή και το καλώδιό της σύνδεσης στο ρεύμα μακριά από τα παιδιά.
 - ♦ Αυτή τη συσκευή μπορούν να τη χρησιμοποιούν άτομα με μειωμένες σωματικές, αισθητηριακές ή νοητικές ικανότητες ή έλλειψη εμπειρίας και γνώσεων, εάν
- βρίσκονται υπό την κατάλληλη επιτήρηση ή έχουν λάβει την κατάλληλη εκπαίδευση για την ασφαλή χρήση της συσκευής και κατανοούν τους κινδύνους που ενέχει.
- ♦ Η παρούσα συσκευή δεν είναι παιχνίδι. Τα παιδιά πρέπει να επιτηρούνται ώστε να διασφαλίζεται ότι δεν παίζουν με τη συσκευή.
 - ♦ Τα μαχαίρια είναι τροχισμένα και υπάρχει κίνδυνος να κοπείτε, για αυτό να είστε προσεκτικοί και να αποφεύγετε την άμεση επαφή με την ακμή τους.
 - ♦ Προσέξτε όταν πιάνετε τα μαχαίρια κατά τις διαδικασίες της συναρμολόγησης και αποσυναρμολόγησης, του αδειάσματος του δοχείου και της καθαριότητας.
 - ♦ Αποσυνδέστε τη συσκευή και βγάλτε την από την πρίζα όταν μένει χωρίς επιτήρηση και πριν την αλλαγή των αξεσουάρ ή των σχετικών εξαρτημάτων που κινούνται κατά τη χρήση, πριν τη συναρμολόγηση, την αποσυναρμολόγηση ή την καθαριότητα
 - ♦ ΠΡΟΣΟΧΗ: Για την αποφυγή οποιουδήποτε κινδύνου που οφείλεται σε τυχαία επαναρρύθμιση του μηχανισμού θερμικής προστασίας, η παρούσα συσκευή δεν πρέπει να τροφοδοτείται με

ηλεκτρικό ρεύμα από διάταξη εξωτερικής μεταγωγής όπως χρονοδιακόπτη, ούτε να συνδέεται σε κύκλωμα του οποίου η σύνδεση και αποσύνδεση επαφίζεται σε επιχείρηση παροχής υπηρεσιών.

- ♦ Εάν έχει υποστεί βλάβη το καλώδιο σύνδεσης στο ρεύμα, πρέπει να αντικατασταθεί και να μεταφέρετε τη συσκευή σε εγκεκριμένη υπηρεσία τεχνικής βοήθειας. Προκειμένου να μην εκτεθείτε σε κίνδυνο, μην προσπαθήσετε να αποσυναρμολογήσετε ή να επιδιορθώσετε τη συσκευή.
- ♦ Αυτή η συσκευή έχει σχεδιαστεί μόνο για οικιακή χρήση, όχι για επαγγελματική ή βιομηχανική χρήση.

- ♦ Πριν συνδέσετε τη συσκευή στο ρεύμα, ελέγξτε ότι η τάση που αναφέρεται στην πινακίδα σήμανσης συμπίπτει με την τάση του ρεύματος.
- ♦ Συνδέστε τη συσκευή σε βάση λήψης ρεύματος που αντέχει τουλάχιστον 10 αμπέρ.
- ♦ Το βύσμα της πρίζας της συσκευής πρέπει να συμπίπτει με την ηλεκτρική βάση λήψης ρεύματος. Μην αλλάζετε ποτέ το βύσμα της πρίζας. Μην χρησιμοποιείται μετασχηματιστές στο βύσμα της πρίζας.
- ♦ Μην τοποθετείτε τη συσκευή επάνω σε ζεστές επιφάνειες, όπως εστίες μαγειρέματος, εστίες γκαζιού, φούρνους και συναφή.
- ♦ Η συσκευή πρέπει να χρησιμοποιείται και να διατηρείται σε επίπεδη και σταθερή επιφάνεια.
- ♦ Μην χρησιμοποιείτε τη συσκευή όταν το ηλεκτρικό καλώδιο ή το βύσμα έχουν υποστεί ζημιά.
- ♦ Εάν κάποιο από τα περιβλήματα της συσκευής σπάζει, αποσυνδέστε αμέσως τη συσκευή από το ρεύμα για να αποφύγετε πιθανότητα ηλεκτροπληξίας.
- ♦ Μην χρησιμοποιείτε τη συσκευή αν έχει πέσει στο δάπεδο, αν παρουσιάζει εμφανή φθορά ή διαρροή.
- ♦ Μην ασκείτε πίεση στο ηλεκτρικό καλώδιο. Ποτέ μη

χρησιμοποιείτε το ηλεκτρικό καλώδιο για να σηκώσετε, να μεταφέρετε ή να αποσυνδέσετε τη συσκευή από την πρίζα.

- ♦ Ελέγξτε την κατάσταση του καλωδίου τροφοδοσίας. Αν το καλώδιο παρουσιάζει φθορά ή έχει μπλεχτεί αυξάνεται ο κίνδυνος ηλεκτροπληξίας.
- ♦ Μην χρησιμοποιείτε ούτε να φυλάσσετε τη συσκευή σε εξωτερικούς χώρους.
- ♦ - Μην αγγίζετε το βύσμα σύνδεσης με υγρά χέρια.
- ♦ Λάβετε τα απαραίτητα μέτρα για να αποφύγετε τυχόν μη ηθελημένη θέση σε λειτουργία της συσκευής.
- ♦ Μην αγγίζετε τα κινητά τμήματα της συσκευής, όταν λειτουργεί.
- ♦ Να είστε προσεκτικοί μετά την παύση λειτουργίας της συσκευής, επειδή η λεπίδα/οι λεπίδες θα συνεχίσει/ουν να γυρίζει/ουν λόγω της μηχανικής αδράνειας.
- ♦ Η θερμοκρασία των προσβάσιμων επιφανειών μπορεί να είναι υψηλή όταν η συσκευή λειτουργεί

Χρήση και συντήρηση:

- ♦ Πριν από κάθε χρήση, ξετυλίξτε τελείως το καλώδιο τροφοδοσίας της συσκευής.
- ♦ Μην χρησιμοποιείτε τη συσκευή αν τα εξαρτήματά της δεν είναι σωστά συνταιριασμένα.
- ♦ Μην χρησιμοποιείτε τη συσκευή, εάν τα εξαρτήματα που τη συνδεύουν παρουσιάζουν ελαττώματα. Φροντίστε να τα αντικαταστήσετε αμέσως.
- ♦ Μην χρησιμοποιείται τη συσκευή αν δεν λειτουργεί ο διακόπτης έναρξης/παύσης λειτουργίας.
- ♦ - Μην μετακινείται τη συσκευή ενώ χρησιμοποιείται.
- ♦ Μην ζορίζετε τη δυνατότητα της συσκευής να δουλεύει.
- ♦ Διατηρήστε την παρούσα συσκευή μακριά από τα παιδιά ή/και τα άτομα με μειωμένες σωματικές, αισθητηριακές ή διανοητικές ικανότητες ή άτομα με ελλιπείς εμπειρίες ή γνώσεις.
- ♦ Διατηρείτε τη συσκευή σε καλή κατάσταση. Βεβαιωθείτε ότι τα κινητά τμήματα παραμένουν ευθυγραμμισμένα ή δεν έχουν φρακάρει, ότι δεν υπάρχουν σπασμένα εξαρτήματα ή άλλες συνθήκες που μπορούν να επηρεάσουν την ορθή λειτουργία της συσκευής.
- ♦ Χρησιμοποιείτε αυτήν τη συσκευή, τα εξαρτήματα και εργαλεία της σύμφωνα με τις παρούσες οδηγίες, λαμβάνοντας υπόψη τη συνθήκη χρήσης καθώς και τη χρήση που θα γίνει. Η χρήση της συσκευής για διαφορετικές λειτουργίες από αυτές που προβλέπονται μπορεί να προκαλέσει επικίνδυνες καταστάσεις.
- ♦ Για να σπρώξετε τα τρόφιμα στον αγωγό γεμίματος, χρησιμοποιείτε πάντα το εξάρτημα προώθησης, μη χρησιμοποιείτε ποτέ τα δάχτυλά σας ή άλλα εξαρτήματα.

- ♦ Μην αφήνετε τη συσκευή χωρίς επίβλεψη ενώ βρίσκεται σε λειτουργία
- ♦ Μη χρησιμοποιείτε τη συσκευή περισσότερο από 3 λεπτά συνεχόμενα.
- ♦ Μη χρησιμοποιείται τη συσκευή για κατεψυγμένα τρόφιμα ή κόκαλα.

Λειτουργία:

- ♦ Οποιαδήποτε μη ενδεδειγμένη χρήση ή χρήση αντίθετη προς τις οδηγίες χρήσης μπορεί να ενδεχομένως να κινδυνεύει, και ακυρώνει την εγγύηση και την ευθύνη του κατασκευαστή.

ΠΕΡΙΓΡΑΦΗ

A Διακόπτης (ON/OFF/Αντίστροφη κίνηση)

B Σώμα

Γ Κουμπί στερέωσης

Δ Περιοχή για την εγκατάσταση της κεφαλής

E Εξάρτημα πίεσης

F Δίσκος

G Κεφαλή κοπής

H Ατέρμονος κοχλίας

I Μαχαίρι

J Δίσκοι κοπής (3 μεγέθη)

K Στεφάνη στερέωσης

L Στόμιο για λουκάνικα

M Αξεσουάρ για κιμπί

NA Αξεσουάρ για σάλτσα ντομάτας (*)

* Διατίθεται μόνο στο μοντέλο BXMMMA1000E.

Σε περίπτωση που το μοντέλο της συσκευής σας δεν διαθέτει τα εξαρτήματα που περιγράφονται παραπάνω, αυτά τα εξαρτήματα μπορείτε να τα αποκτήσετε μεμονωμένα από τις υπηρεσίες τεχνικής συνδρομής.

ΤΡΟΠΟΣ ΛΕΙΤΟΥΡΓΙΑΣ

Παρατηρήσεις πριν τη χρήση:

- ♦ Βεβαιωθείτε ότι έχετε αφαιρέσει όλα τα υλικά συσκευασίας του προϊόντος.
- ♦ Πριν χρησιμοποιήσετε το προϊόν για πρώτη φορά, καθαρίστε τα μέρη που έρχονται σε επαφή με τρόφιμα όπως περιγράφεται στην παράγραφο για την καθαριότητα.
- ♦ Προετοιμάστε τη συσκευή ανάλογα με τη λειτουργία που θέλετε να πραγματοποιήσετε.

Χρήση:

- ♦ Ξετυλίξτε τελείως το καλώδιο πριν συνδέσετε τη συσκευή στο ρεύμα.

- ♦ Βάλτε στη συσκευή το αναγκαίο εξάρτημα, ανάλογα με το είδος τροφίμου που θα επεξεργαστείτε.
- ♦ Τεμαχίστε όλα τα τρόφιμα (προτείνουμε τη χρήση κρέατος χωρίς νεύρα, χωρίς λίπος και χωρίς κόκαλα, με διαστάσεις γύρω στα 20 x 20 x 60 mm) ώστε να μπορούν να εισέλθουν εύκολα στο άνοιγμα της χοάνης.
- ♦ Συνδέστε τη συσκευή στο ηλεκτρικό δίκτυο.
- ♦ Θέστε τη συσκευή σε λειτουργία, επιλέγοντας τη θέση 1 στον διακόπτη.
- ♦ Εισαγάγετε τα τρόφιμα στον δίσκο της χοάνης, χρησιμοποιώντας μόνο τον δίσκο πίεσης για να τα εισαγάγετε στον αγωγό τροφοδοσίας.
- ♦ Υποβάλετε το τρόφιμο που θέλετε στην επιθυμητή διεύθυνση.
- ♦ Για να αποφύγετε μια υπερβολικά απότομη εκκίνηση, η θέση σε λειτουργία της συσκευής γίνεται σταδιακά.

Αφού ολοκληρωθεί η χρήση της συσκευής:

- ♦ Σταματήστε τη λειτουργία της συσκευής, χρησιμοποιώντας το κουμπί έναρξη/παύση. Επιλέξτε τη θέση «0».
- ♦ Αποσυνδέστε τη συσκευή από το ηλεκτρικό δίκτυο.
- ♦ Καθαρίστε τη συσκευή.

Αξεσουάρ:

Δίσκοι κοπής (J):

- ♦ Οι δίσκοι κοπής επιτρέπουν την κοπή του κρέατος σε πιο χοντρή ή πιο ψιλή υφή, ανάλογα με το μέγεθος των οπών του δίσκου.
- ♦ Πιέστε το κουμπί στερέωσης (C), κρατήστε τη κεφαλή και εισαγάγετε τη στο στόμιο. Όταν εκτελείτε αυτήν την ενέργεια, προσέξτε ιδιαίτερως η γωνία της κεφαλής να είναι η γωνία που υποδεικνύει το τοξάκι του επάνω τμήματος, δείτε το (Σχ.1). Στη συνέχεια, στρέψτε την κεφαλή προς την αντίθετη φορά των δεικτών του ρολογιού, μέχρι να στερεωθεί καλά. (Fig.2).
- ♦ Εισαγάγετε τον κοχλία μέσω του στομίου της κεφαλής κοπής. (Fig.3).
- ♦ Τοποθετήστε το μαχαίρι στον κοχλία με την κοφτερή πλευρά προς τα έξω. (Fig.4). Αν δεν έχει τοποθετηθεί όπως πρέπει, το κρέας δεν θα κοπεί.
- ♦ Εισαγάγετε έναν από τους τρεις δίσκους κοπής στον ατέρμονο κοχλία, έτσι ώστε να ταιριάζουν οι εξοχές του δίσκου κοπής με τις εγκοπές της περιμέτρου του στομίου της κεφαλής κοπής. (Fig.5).
- ♦ Πιέστε δυνατά τη στεφάνη στερέωσης στο στόμιο της κεφαλής κοπής, βιδώνοντας προς τη φορά των δεικτών του ρολογιού έως να συναρμολογηθούν ο κοχλίας, το μαχαίρι και ο δίσκος κοπής. (Fig.6).
- ♦ Τοποθετήστε τον δίσκο στο επάνω τμήμα της κεφαλής

κοπής.

- ♦ Στόμιο για τοποθέτηση περιβλήματος σε λουκάνικα(L):
- ♦ Πιέστε το κουμπί στερέωσης (C), κρατήστε την κεφαλή και εισαγάγετέ τη στο στόμιο. Όταν εκτελείτε αυτήν την ενέργεια, προσέξτε ιδιαίτερως η γωνία της κεφαλής να είναι η γωνία που υποδεικνύει το τοξάκι του επάνω τμήματος, δείτε το (Σχ.1). Στη συνέχεια, στρέψτε την κεφαλή προς την αντίθετη φορά των δεικτών του ρολογιού, μέχρι να στερεωθεί καλά. (Fig.2).
- ♦ Εισαγάγετε τον κοχλία μέσω του στομίου της κεφαλής κοπής. (Fig.3).
- ♦ Τοποθετήστε το μαχαίρι στον κοχλία με την κοφτερή πλευρά προς τα έξω. (Fig.4).
- ♦ Εισαγάγετε τον δίσκο κοπής με τις μεγαλύτερες οπές στον κοχλία, έτσι ώστε να ταιριάζουν οι εσοχές του δίσκου κοπής με τις εγκοπές της περιμέτρου του στομίου της κεφαλής κοπής. (Fig.5).
- ♦ Εισαγάγετε το στόμιο για την τοποθέτηση περιβλήματος σε λουκάνικα διάμεσου της στεφάνης στερέωση. (Fig.7).
- ♦ Πιέστε δυνατά τη στεφάνη στερέωσης στο στόμιο της κεφαλής κοπής, βιδώνοντας προς τη φορά των δεικτών του ρολογιού έως να συναρμονιστούν ο κοχλίας, το μαχαίρι και το στόμιο. (Fig.6).
- ♦ Τοποθετήστε τον δίσκο στο επάνω τμήμα της κεφαλής κοπής.

Αξεσουάρ για κιμτέ (M):

- ♦ Πιέστε το κουμπί στερέωσης (C), κρατήστε την κεφαλή και εισαγάγετέ τη στο στόμιο. Όταν εκτελείτε αυτήν την ενέργεια, προσέξτε ιδιαίτερως η γωνία της κεφαλής να είναι η γωνία που υποδεικνύει το τοξάκι του επάνω τμήματος, δείτε το (Σχ.1). Στη συνέχεια, στρέψτε την κεφαλή προς την αντίθετη φορά των δεικτών του ρολογιού, μέχρι να στερεωθεί καλά. (Fig.2).
- ♦ Εισαγάγετε τον κοχλία μέσω του στομίου της κεφαλής κοπής. (Fig.3).
- ♦ Εισαγάγετε το αξεσουάρ για τη βάση κιμτέ στον κοχλία, και τοποθετήστε το άλλο εξάρτημα κιμτέ στον επάνω τμήμα, έτσι ώστε να ταιριάζουν οι εσοχές του δίσκου κοπής με τις εγκοπές της περιμέτρου του στομίου πλήρωσης. (Fig.8).
- ♦ Πιέστε δυνατά τη στεφάνη στερέωσης, βιδώνοντας στον κοχλία,, προς τη φορά των δεικτών του ρολογιού τα εξάρτηματα για το κιμτέ. (Fig.6).
- ♦ Τοποθετήστε τον δίσκο στο επάνω τμήμα της κεφαλής κοπής.

Αξεσουάρ ντομάτας (N)

- ♦ Αυτό το εξάρτημα δίνει τη δυνατότητα διαχωρισμού των σπόρων και του πολτού της ντομάτας για να

απομονώσετε μόνο τον χυμό της.

- ♦ Πιέστε το κουμπί στερέωσης (C), κρατήστε την κεφαλή και εισαγάγετέ τη στο στόμιο. Όταν εκτελείτε αυτήν την ενέργεια, προσέξτε ιδιαίτερως η γωνία της κεφαλής να είναι η γωνία που υποδεικνύει το τοξάκι του επάνω τμήματος, δείτε το (Σχ.1). Στη συνέχεια, στρέψτε την κεφαλή προς την αντίθετη φορά των δεικτών του ρολογιού, μέχρι να στερεωθεί καλά. (Fig.2).
- ♦ Εισαγάγετε τον κοχλία μέσω του στομίου της κεφαλής κοπής. (Fig.3).
- ♦ Εισαγάγετε το αξεσουάρ ντομάτας, έτσι ώστε να ταιριάζουν οι εσοχές του δίσκου κοπής με τις εγκοπές της περιμέτρου του στομίου πλήρωσης. Πιέστε δυνατά τη στεφάνη στερέωσης, βιδώνοντας στον κοχλία, προς τη φορά των δεικτών του ρολογιού, το εξάρτημα. (Fig.9).
- ♦ Τοποθετήστε τη βαλβίδα ελέγχου της πίεσης, την προστασία πιστιλίσματος και τον δίσκο συλλογής χυμού.

Αντίστροφη λειτουργία:

- ♦ Σε περίπτωση μπλοκαρίσματος, σβήστε τη συσκευή, στρέφοντας τον διακόπτη στη θέση «R».
- ♦ Ο ατέρμονας κοχλίας θα στραφεί προς την αντίθετη φορά των δεικτών του ρολογιού, και η κεφαλή θα αδειάσει.
- ♦ Αν αυτό δεν λειτουργήσει, αποσυνδέστε τη μονάδα και καθαρίστε τη.
- ♦ Περιμένετε ένα λεπτό πριν και μετά τη λειτουργία σε αντίστροφη κίνηση.

Αν μπλοκάρει το μοτέρ:

- ♦ Αν το μοτέρ κινείται αργά ή σταματάει, αυτό μπορεί να οφείλεται στο ότι το τρόφιμο που συνθλίβεται μπλοκάρει τον κοχλία κοπής. Σε αυτήν την περίπτωση, χρησιμοποιήστε τον διακόπτη αντιστροφής της φοράς λειτουργίας. Για να το κάνετε αυτό, τοποθετήστε τον διακόπτη ενεργοποίησης/απενεργοποίησης στη θέση 0, πιέστε το κουμπί αντιστροφής της φοράς λειτουργίας. Όταν πραγματοποιείται αυτή η ενέργεια, ο ατέρμονος κοχλίας αποσυμπιέζει τα τρόφιμα (προσοχή σε αυτήν την κατάσταση αντιστροφής φοράς, μέρος του τροφίμου μπορεί να βγει από τον σωλήνα/δίσκο γεμίσματος). Απενεργοποιήστε τη στροφή προς την αντίθετη φορά, κάνοντας τις αντίστροφες ενέργειες από αυτές που εξηγήσαμε προηγουμένως.
- ♦ Αν το μοτέρ εξακολουθεί να είναι μπλοκαρισμένο, αποσυνδέστε τη συσκευή από το ρεύμα και αποσυναρμολογήστε τα εξάρτηματα.

Θερμική προστασία ασφαλείας:

- ♦ Η συσκευή διαθέτει θερμική διάταξη ασφαλείας που προστατεύει τη συσκευή από τυχόν υπερθέρμανση.
- ♦ Αν η συσκευή αποσυνδέεται μόνη της και δεν ξανασυνδέεται, βγάλτε τη από την πρίζα, περιμένετε περίπου 15 λεπτά, και ξαναβάλτε τη στην πρίζα. Αν πάλι δεν λειτουργεί, συμβουλευτείτε ένα εγκεκριμένο σέρβις.

ΚΑΘΑΡΙΟΤΗΤΑ

- ♦ Αποσυνδέστε τη συσκευή από το ρεύμα και αφήστε τη να κρυώσει πριν πραγματοποιήσετε οποιαδήποτε διαδικασία καθαρισμού.
- ♦ Καθαρίστε τη συσκευή με ένα υγρό πανί, βρεγμένο με μερικές σταγόνες απορρυπαντικού και μετά στεγνώστε τη.
- ♦ Μη χρησιμοποιείται διαλυτικά ούτε προϊόντα με όξινο ή αλκαλικό παράγοντα pH, όπως η χλωρίνη, ούτε λειανικά προϊόντα για τον καθαρισμό της συσκευής.
- ♦ Μην εμβαπτίζετε ποτέ τη συσκευή σε νερό ή άλλο υγρό, ούτε να τη βάζετε κάτω από τη βρύση.
- ♦ Κατά την διαδικασία καθαρισμού θα πρέπει να προσέχετε ιδιαίτερος τις λεπίδες διότι είναι πολύ μυτερές
- ♦ Σας προτείνουμε να καθαρίζετε τακτικά τη συσκευή και να αφαιρείτε όλα τα υπολείμματα τροφίμων.
- ♦ Κανένα από τα μέρη αυτής της συσκευής δεν μπορεί να πλένεται σε πλυντήριο πιάτων
- ♦ Στεγνώστε όλα τα εξαρτήματα πριν συναρμολογήσετε και φυλάξτε τη συσκευή.

ΠΡΟΒΛΗΜΑΤΑ ΚΑΙ ΕΠΙΣΚΕΥΕΣ

- ♦ Σε περίπτωση βλάβης, μεταφέρετε τη συσκευή σε εγκεκριμένη υπηρεσία τεχνικής βοήθειας. Μην προσπαθήσετε να την αποσυναρμολογήσετε ή να την επισκευάσετε γιατί μπορεί να εκτεθείτε σε κίνδυνο.

ΕΓΓΥΗΣΗ ΚΑΙ ΤΕΧΝΙΚΗ ΥΠΟΣΤΗΡΙΞΗ

- ♦ Το παρόν προϊόν αναγνωρίζεται και προστατεύεται από τη νόμιμη εγγύηση συμμόρφωσης προς την ισχύουσα νομοθεσία. Για να διεκδικήσετε τα δικαιώματα ή συμφέροντά σας πρέπει να απευθυνθείτε σε οποιοδήποτε από τα επίσημα γραφεία μας τεχνικής υποστήριξης.
- ♦ Για να βρείτε το πιο κοντινό σε εσάς, ανατρέξτε στην ιστοσελίδα: <http://www.2helpu.com/>.
- ♦ Μπορείτε επίσης να ζητήσετε πληροφορίες,

επικοινωνώντας μαζί μας (συμβουλευτείτε την τελευταία σελίδα του εγχειριδίου).

- ♦ Μπορείτε να «κατεβάσετε» από το διαδικτυο το παρόν εγχειρίδιο οδηγιών και τις σχετικές ενημερώσεις του στο <http://www.2helpu.com/>.

Για τις εκδόξεις ΕΕ της συσκευής και/ή εφόσον ισχύουν τα παρακάτω στη χώρα σας:

Οικολογία και ανακυκλωσιμότητα του προϊόντος

- ♦ Τα υλικά που απαρτίζουν τη συσκευασία αυτής της συσκευής, συμμετέχουν σε πρόγραμμα αποκομιδής, ταξινόμησης και ανακύκλωση τους. Αν θέλετε να απαλλαγείτε από αυτά τα υλικά, μπορείτε να χρησιμοποιήσετε τους δημόσιους κάδους που ενδείκνυνται για κάθε είδος υλικού.
- ♦ Το προϊόν δεν περιέχει συγκεντρώσεις ουσιών που μπορούν να θεωρηθούν επιζήμιες για το περιβάλλον.



Αυτό το σύμβολο σημαίνει ότι εάν θέλετε να απαλλαγείτε από το προϊόν, όταν έχει ολοκληρωθεί ο κύκλος ζωής του, οφείλετε να το παραδώσετε, με τα κατάλληλα μέσα, σε διαχειριστή αποβλήτων, εγκεκριμένο για την επιλεκτική συλλογή αποβλήτων ειδών ηλεκτρικού και ηλεκτρονικού εξοπλισμού (ΑΗΗΕ).

Το παρόν προϊόν συμμορφώνεται με την οδηγία 2014/35/ΕΚ χαμηλής τάσης, με την οδηγία 2014/30/ΕΚ για την ηλεκτρομαγνητική συμβατότητα, με την οδηγία 2011/65/ΕΕ για τον περιορισμό της χρήσης ορισμένων επικίνδυνων ουσιών σε ηλεκτρικό και ηλεκτρονικό εξοπλισμό και με την οδηγία 2009/125/ΕΚ για τις απαιτήσεις οικολογικού σχεδιασμού όσον αφορά τα συνδεδεμένα με την ενέργεια προϊόντα.

МЯСОРУБКА

ВХММ1000Е

ВХММА1000Е

Уважаемый клиент!

Благодарим за выбор аппарата торговой марки Black+Decker.

Он выполнен с применением передовых технологий, имеет эlegantный дизайн, надежную конструкцию и превышает наиболее требовательные стандарты качества, что обеспечит полное соответствие вашим требованиям и продолжительный срок службы.

ИНСТРУКЦИЯ ПО ТЕХНИКЕ БЕЗОПАСНОСТИ

- ♦ Внимательно прочтите эту инструкцию перед включением электроприбора и сохраните ее для использования в будущем. Ненадлежащее соблюдение этой инструкции может быть причиной несчастного случая.
- ♦ перед использованием очистите все части, которые будут контактировать с продуктами питания;
- ♦ детям не разрешается использовать этот прибор. Храните прибор и его кабель вне досягаемости детей.
- ♦ этот электроприбор может использоваться лицами с ограниченными физическими, сенсорными или умственными возможностями, а также лицами, не обладающими соответствующим опытом или знаниями, только под присмотром или после проведения инструктажа по безопасному использованию прибора и с пониманием связанных с ним опасностей;
- ♦ Прибор не является игрушкой. Необходимо следить за детьми, чтобы они не играли с ним.
- ♦ Так как лезвия острые, они могут причинить вред, будьте осторожны и избегайте прямого контакта с режущими краями ножей.
- ♦ Обратите особое внимание на ножи во время сборки и разборки прибора, при опорожнении чаши и чистке прибора.
- ♦ после использования, перед заменой принадлежностей или для доступа к подвижным деталям, для операций разборки, сборки или чистки обязательно выключайте прибор и отключайте его от сети;
- ♦ Поврежденный сетевой шнур подлежит замене в авторизованном сервисном центре. Не допускается разбирать или ремонтировать прибор, поскольку это небезопасно.
- ♦ этот прибор предназначен только для домашнего, а не профессионального или промышленного использования.

- ♦ Прежде чем включить электроприбор, убедитесь, что напряжение на этикетке соответствует напряжению в сети.
 - ♦ Подключите электроприбор к розетке, рассчитанной на ток не менее 10 ампер.
 - ♦ Сетевая вилка должна подходить к розетке. Не допускается вносить изменения в вилку сетевого шнура. Не допускается также использовать переходники для розетки;
 - ♦ Не ставьте прибор на горячие поверхности: на конфорки, газовые горелки, в духовку и т.п.
 - ♦ чтобы использовать прибор, его нужно установить на ровную и устойчивую поверхность;
 - ♦ Не допускается эксплуатировать электроприбор с поврежденным шнуром или вилкой питания.
 - ♦ при любом повреждении корпуса электроприбора немедленно отключите его от сети, чтобы не допустить поражения электрическим током;
 - ♦ Не допускается использовать прибор после падения на пол, если на нем имеются видимые следы повреждений или протечка.
 - ♦ Не тяните шнур питания. Не допускается использовать шнур питания, чтобы поднимать или переносить электроприбор, вынимать вилку из розетки, потянув за шнур.
 - ♦ Проверьте состояние шнура питания. Поврежденный или запутанный шнур может быть причиной поражения электрическим током.
 - ♦ Сетевой шнур нужно периодически проверять, чтобы не допустить использование прибора с поврежденным шнуром питания.
 - ♦ Не допускается использовать или хранить электроприбор на открытом воздухе.
 - ♦ Не прикасайтесь к вилке влажными руками.
 - ♦ примите все меры к тому, чтобы прибор не мог быть запущен случайным образом;
 - ♦ не прикасайтесь к подвижным частям во время работы прибора.
 - ♦ Будьте осторожны после выключения прибора, так как ножи будут продолжать вращаться по инерции.
 - ♦ Температура поверхности включенного электроприбора может быть очень горячей.
- принадлежностями. Их следует немедленно установить правильно.
- ♦ Не допускается эксплуатировать электроприбор с неисправным выключателем питания.
 - ♦ Не перемещайте прибор во время использования.
 - ♦ не перегружайте прибор;
 - ♦ Храните этот прибор вне досягаемости детей и/или лиц с ограниченными физическими, сенсорными или умственными возможностями, а также тех, кто не знаком с правилами его использования.
 - ♦ Поддерживайте прибор в надлежащем рабочем состоянии. Проверьте, чтобы не было перекосов и заедания подвижных частей, не было поломанных деталей и прибор работал исправно;
 - ♦ Любое несоответствующее использование прибора или несоблюдение инструкций по эксплуатации освобождают производителя от гарантийных обязательств по ремонту, а также снимают ответственность с изготовителя. Несоблюдение норм безопасности может привести к несчастному случаю.
 - ♦ Для проталкивания ингредиентов всегда используйте толкатель. Никогда не делайте это при помощи пальцев или других предметов.
 - ♦ Во время использования никогда не оставляйте прибор без присмотра.
 - ♦ Время непрерывной работы составляет не более 3 минут.
 - ♦ Не используйте прибор для переработки замороженных продуктов или костей

Сервисное обслуживание:

- ♦ Любое неправильное использование или несоблюдение инструкций автоматически приводит к аннулированию гарантии и снятию ответственности производителя.

Описание

- A Кнопка включения (ВКЛ / ВЫКЛ / Обратная функция)
- B Корпус
- C Кнопка блокировки головки мясорубки
- D Место установки головки мясорубки
- E Толкатель
- F Поддон
- G Головка мясорубки
- H Винт
- I Скрещенные ножи
- J Режущая пластина (3 размера)
- E Фиксирующее кольцо
- L Насадка для колбасы

Использование и уход

- ♦ Перед каждым использованием полностью разворачивайте сетевую кабель.
- ♦ Не допускается эксплуатировать прибор, если принадлежности установлены недостаточно надежно.
- ♦ не используйте прибор с неисправными

- M Насадка для кеббе
- N Томатная соковыжималка (*)

(*) Имеется только в модели model ВХММА1000Е.

Если ваша модель не укомплектована нужной вам принадлежностью, ее можно приобрести отдельно через службу технической поддержки.

ИНСТРУКЦИЯ ПО ЭКСПЛУАТАЦИИ

Перед использованием:

- ♦ Убедитесь в том, что вы полностью распаковали прибор.
- ♦ перед первым использованием очистите все части, которые будут контактировать с продуктами питания, как описывается в разделе, посвященном чистке.
- ♦ подготовьте электроприбор к работе.

Использование:

- ♦ Полностью разверните кабель перед подключением к сети.
- ♦ Подготовьте прибор вместе с насадкой, необходимой для приготовления пищи.
- ♦ Разрежьте все продукты на кусочки (рекомендуется, чтобы они были без костей и мясного жира, в них было как можно меньше сухожилий, и они имели приблизительный размер: 20X20x60мм), чтобы они легко вставлялись в отверстие загрузочной части.
- ♦ Подключите прибор к сети.
- ♦ Включите прибор, выбрав позицию 1 на кнопках переключателя.
- ♦ Загружайте пищу в лоток, используя только толкатель для еды, чтобы ввести его в головку мясорубки.

После использования:

- ♦ Выключите прибор, используя переключатель on/off. Выберите позицию "0".
- ♦ Отключите прибор от сети.
- ♦ Очистите прибор.

Насадки:

- ♦ Режущие пластины (J):
- ♦ Эти режущие пластины позволяют измельчать мясо с более крупной или тонкой текстурой в зависимости от размера отверстий на диске.
- ♦ Нажмите кнопку блокировки (С), удерживайте головку и вставьте ее во впускное отверстие (пожалуйста,

обратите внимание, что головка должна быть наклонена согласно стрелке, указанной сверху) (Fig.1). Затем поверните головку против часовой стрелки так, чтобы головка оказалась плотно прижата. (Fig.2).

- ♦ Вставьте винт через выходное отверстие головки мясорубки. (Fig.3).
- ♦ Поместите режущий нож в винт с режущей кромкой, направленной вперед. (Fig.4). Если он не установлен правильно, мясо не будет измельчаться.
- ♦ Установите одну из трех режущих пластин рядом с режущим лезвием, установив выступы режущей пластины в вырезы выходной кромки головки мясорубки. (Fig.5).
- ♦ Плотно закрутите крепежное кольцо в выходном отверстии головки мясорубки, вращая по часовой стрелке, чтобы установить винт, нож и режущую пластину. (Fig.6).
- ♦ Поместите поддон в верхнюю часть головки мясорубки.

Насадка для колбас (L):

- ♦ Нажмите кнопку блокировки (С), удерживайте головку и вставьте ее во впускное отверстие (пожалуйста, обратите внимание, что головка должна быть наклонена согласно стрелке, указанной сверху) (Fig.1). Затем поверните головку против часовой стрелки так, чтобы головка оказалась плотно прижата. (Fig.2).
- ♦ Вставьте винт через выходное отверстие головки мясорубки. (Fig.3).
- ♦ Поместите режущий нож в винт с режущей кромкой, направленной вперед. (Fig.4).
- ♦ Вставьте режущую пластину с наибольшими отверстиями в винт, вставив выходы режущей пластины в вырезы выходной кромки горловины головки мясорубки. (Fig.5).
- ♦ Вставьте сопло для колбас через фиксирующее кольцо. (Fig.7).
- ♦ Плотно закрутите фиксирующее кольцо в выходном отверстии головки мясорубки по часовой стрелке, чтобы установить винт, нож и сопло. (Fig.6).
- ♦ Поместите поддон в верхнюю часть головки мясорубки.

Насадка для кеббе(M):

- ♦ Нажмите кнопку блокировки (С), удерживайте головку и вставьте ее во впускное отверстие (пожалуйста, обратите внимание, что головка должна быть наклонена согласно стрелке, указанной сверху) (Fig.1). Затем поверните головку против часовой

стрелки так, чтобы головка оказалась плотно прижата. (Fig.2).

- ♦ Вставьте винт через выходное отверстие головки мясорубки. (Fig.3).
- ♦ Вставьте насадку для кеббе в винт и поместите другую насадку для кеббе сверху, вставив в отверстия в крайних выступах горловины. (Fig.8).
- ♦ Закрепите фиксирующее кольцо, плотно поворачивая по часовой стрелке, чтобы прикрепить насадки для кеббе к винту. (Fig.6).
- ♦ Поместите поддон в верхнюю часть головки мясорубки.

Насадка Томатная соковыжималка(N):

- ♦ Эта насадка позволяет отделить семена и целлюлозу от томата для получения сока.
- ♦ Вставьте головку мясорубки в корпус двигателя и закрепите ее фиксирующим зажимом.
- ♦ Вставьте червячный винт через горловину головки мясорубки. (Fig.3).
- ♦ Вставьте насадку для томатного сока, прикрепив выступы к прорезям на краю горловины загрузочного отверстия. Затяните фиксирующее кольцо, повернув его по часовой стрелке, пока насадка не войдет в червячный винт. (Fig.9).
- ♦ Установите клапан контроля давления, предохранитель против брызг и поддон для сбора сока.

Обратная функция:

- ♦ В случае заклинивания выключите прибор, нажав кнопку «R».
- ♦ Винт будет вращаться в противоположном направлении, и головка опустеет.
- ♦ Если винт не работает, выключите прибор и очистите его.
- ♦ Подождите одну минуту до и после использования обратной функции.

Если двигатель блокируется:

- ♦ Если двигатель двигается медленно или останавливается, это может быть связано с питанием в приборе, блокирующим измельчитель. В этом случае используйте переключатель смены направления. Для этого: поместите переключатель ВКЛ / ВЫКЛ в положение 0 и нажмите переключатель смены направления. Используя червячный винт для выполнения этой операции, пища измельчится (обратите внимание, если вы включите обратную функцию, то часть пищи может выйти наружу из

наполняющей трубки / поддона). Отключите поворот противоположного направления, следуя предыдущей инструкции в обратном порядке.

- ♦ Если двигатель продолжает блокироваться, отключите его от электросети и демонтируйте его насадки.

ОЧИСТКА

- ♦ Отсоедините прибор от сети после использования, чтобы он остыл перед чисткой.
- ♦ Очистите прибор, используя влажную ткань и несколько капель чистящей жидкости, а затем сухую ткань.
- ♦ Не допускается использовать растворители или продукты на основе кислоты или с высоким уровнем pH, например, отбеливатель, а также абразивные чистящие вещества.
- ♦ Не помещайте электроприбор в воду или иную жидкость, а также под струю воды.
- ♦ Во время чистки прибора необходимо быть особенно осторожным с острыми насадками-ножами.
- ♦ рекомендуется регулярно очищать прибор и тщательно удалять все пищевые остатки;
- ♦ никакие части этого электроприбора не допускается мыть в посудомоечной машине.
- ♦ Затем просушите все части перед сборкой.

НЕИСПРАВНОСТИ И РЕМОНТ

- ♦ В случае неисправности отнесите электроприбор в сервисный центр. Не пытайтесь самостоятельно ремонтировать электроприбор — это может быть опасно.

ГАРАНТИЯ И ТЕХНИЧЕСКАЯ ПОДДЕРЖКА

- ♦ Этот продукт защищен юридической гарантией в соответствии с действующим законодательством. Чтобы обеспечить соблюдение ваших прав или интересов, вы должны обратиться в любую из наших официальных служб по технической поддержке клиентов.
- ♦ Вы можете найти ближайшие из центров, пройдя по следующей веб-ссылке: <http://www.2helpu.com/>.
- ♦ Вы также можете запросить соответствующую информацию, связавшись с нами (см. последнюю страницу руководства).
- ♦ Вы можете скачать это руководство и обновления к нему по адресу <http://www.2helpu.com/>.

Для изделий в версии ЕС и/или, если этого требует законодательство в вашей стране:

Экология и вторичное использование

- ♦ Материалы упаковки прибора принимаются системой сбора и сортировки материалов для вторичного их использования. Для утилизации используйте бытовые контейнеры для каждого типа мусора.
- ♦ В изделии нет веществ в концентрациях, которые считаются вредными для окружающей среды.



Этот значок означает, что после окончания срока службы для утилизации электроприбора отнесите его в пункт сбора электрических и электронных отходов (WEEE)

Этот прибор выполнен в соответствии с Директивой по низковольтному оборудованию 2014/35/EU, Директивой по электромагнитной совместимости 2014/30/EU, Директивой 2011/65/EU, ограничивающей использование некоторых опасных веществ в электрическом и электронном оборудовании, а также Директивой 2009/125/EC по экологическим требованиям к изделиям, потребляющим энергию.

MAȘINĂ DE TOCAT CARNE

BXMM1000E

BXMMA1000E

Stimate client,

Vă mulțumim pentru că ați cumpărat un produs marca Black+Decker.

Datorită tehnologiei sale, designului și modului de funcționare, precum și faptului că depășește cele mai stricte standarde de calitate, se poate garanta o utilizare complet satisfăcătoare și de lungă durată a produsului.

RECOMANDĂRI ȘI AVERTIZĂRI PRIVIND SIGURANȚA

- ◆ Înainte de a porni aparatul, citiți cu atenție aceste instrucțiuni și păstrați-le pentru a le putea consulta în viitor. Nerespectarea acestor instrucțiuni poate provoca un accident.
- ◆ Înainte de utilizare, curățați toate componentele produsului care vor fi în contact cu alimentele, așa cum este indicat în secțiunea de curățare.
- ◆ Acest aparat nu trebuie utilizat de copii. Nu lăsați aparatul și cablul acestuia la îndemâna copiilor.
- ◆ Acest aparat poate fi utilizat de către persoane cu capacități fizice, senzoriale sau mentale reduse sau fără experiență și cunoștințe în cazul în care acestora li se asigură supraveghere sau au fost instruite cu privire la utilizarea aparatului într-un mod sigur și înțeleg pericolele implicate.
- ◆ Acest aparat nu este o jucărie. Copiii trebuie supravegheați, pentru a vă asigura că nu se joacă cu aparatul.
- ◆ Lamele sunt ascuțite și pot răni; fiți atent și evitați contactul direct cu marginile tăietoare ale lamelor.
- ◆ Fiți deosebit de atent când manevrați lamele, în timpul operațiilor de asamblare și de dezasamblare, la golirea vasului și în timpul curățării.
- ◆ Opriti întotdeauna aparatul și deconectați-l de la sursa de curent dacă este lăsat nesupravegheat și înainte de schimbarea accesoriilor sau de apropierea de piesele care sunt în mișcare în timpul utilizării, înainte de asamblare, dezasamblare sau curățare.
- ◆ În cazul în care conexiunea la rețeaua de alimentare a fost avariata, aceasta trebuie înlocuită, iar aparatul trebuie dus la un service de asistență tehnică autorizat. Nu încercați să dezasamblați sau să reparați aparatul pe cont propriu, pentru a evita pericolele.
- ◆ Acest aparat este destinat numai pentru utilizarea în gospodărie și nu pentru utilizări profesionale sau industriale.
- ◆ Înainte de a branșa aparatul, verificați dacă tensiunea de pe plăcuța de identificare a aparatului corespunde celei de la rețeaua de alimentare.
- ◆ Conectați aparatul la o priză cu împământare de minim 10 amperi.
- ◆ Ștecărul aparatului trebuie să intre corect în priză. Nu modificați ștecărul. Nu utilizați adaptoare pentru ștecăre.
- ◆ Nu puneți aparatul pe suprafețe fierbinți, cum ar fi plitele, arzătoarele aragazurilor, cuptoarele sau altele asemănătoare.
- ◆ Aparatul trebuie utilizat și amplasat pe o suprafață plană

și stabilă.

- ◆ Nu utilizați aparatul dacă acesta are ștecărul sau cablul de alimentare deteriorat.
- ◆ Dacă una din părțile carcasi aparatului se sparge, deconectați imediat aparatul de la rețea, pentru a preveni posibilitatea unui șoc electric.
- ◆ Nu utilizați aparatul dacă a fost scăpat pe podea, dacă există semne vizibile de deteriorare sau dacă prezintă scurgeri.
- ◆ Nu forțați cablul de alimentare. Nu utilizați niciodată cablul de alimentare pentru a ridica, transporta sau deconecta aparatul.
- ◆ Verificați starea cablului de alimentare. Cablurile deteriorate sau încurcate măresc riscul de electrocutare.
- ◆ Cablul de alimentare trebuie examinat cu regularitate pentru semne de uzură, iar dacă acesta este deteriorat, aparatul nu trebuie utilizat.
- ◆ Nu utilizați și nici nu depozitați aparatul la exterior.
- ◆ Nu atingeți ștecherul cu mâinile ude.
- ◆ Luați măsurile necesare pentru a evita pornirea involuntară a aparatului.
- ◆ Nu atingeți niciuna din piesele mobile ale aparatului în timp ce acesta este în funcțiune.
- ◆ Aveți grijă după efectuarea operației de oprire a aparatului, deoarece lama/lamele vor continua să se miște ca urmare a inerției mecanice.
- ◆ Temperatura suprafețelor accesibile poate fi ridicată în timpul utilizării aparatului.

Utilizare și îngrijire:

- ◆ Desfășurați complet cablul de alimentare al aparatului înainte de fiecare utilizare.
- ◆ Nu utilizați aparatul dacă accesoriile acestuia nu sunt montate corespunzător.
- ◆ Nu utilizați aparatul dacă accesoriile atașate acestuia sunt defecte. Înlocuiți-le imediat.
- ◆ Nu utilizați aparatul dacă întrerupătorul pornit/oprit nu funcționează.
- ◆ Nu mișcați aparatul în timpul utilizării.
- ◆ Nu forțați capacitatea de lucru a aparatului.
- ◆ Depozitați aparatul într-un loc care să nu fie la îndemâna copiilor și/sau a persoanelor cu capacități fizice, senzoriale sau mentale reduse, ori care nu au experiență sau cunoștințele necesare.
- ◆ Păstrați aparatul în stare bună. Verificați piesele mobile pentru a vedea dacă sunt nealiniate sau blocate și asigurați-vă că nu există piese rupte sau anormale care pot afecta funcționarea corectă a aparatului.
- ◆ Utilizați aparatul, accesoriile și sculele sale conform

acestor instrucțiuni. Țineți cont de condițiile de funcționare și de sarcina pe care o îndepliniți. Orice utilizare incorectă sau în dezacord cu instrucțiunile de utilizare poate implica un pericol.

- ◆ Pentru a împinge alimentele, utilizați întotdeauna dispozitivul pentru împingerea acestora. Nu utilizați niciodată degetele sau alte accesorii.
- ◆ Nu lăsați niciodată aparatul nesupravegheat în timp ce este folosit.
- ◆ Nu utilizați aparatul pentru mai mult de 3de minute odată.
- ◆ Nu utilizați aparatul cu alimente congelate sau care conțin oase.

Service:

- ◆ Orice utilizare necorespunzătoare sau nerespectarea instrucțiunilor determină garanția și responsabilitățile producătorului să devină nule și neavenite.

Descriere

A Buton de comutare (Pornire/Oprire/Schimbare)
 B Corp
 C Butonul de blocare a capului de toc
 D Loc de instalare a capului de toc
 E Dispozitivul pentru împingere
 F Tavă
 G Cap de toc
 H Șurub
 I Lamă în formă de cruce
 J Placa de tăiere (3 dimensiuni)
 K Inel de fixare
 L Câmaș
 M Kebbe
 N Storcător de roșii (*)

(*) Disponibil doar pentru modelul BXMM1000E.

Dacă modelul aparatului dvs. nu are accesoriile descrise mai sus, acestea pot fi achiziționate și separat de la Serviciul de Asistență Tehnică.

INSTRUCȚIUNI DE UTILIZARE

Înainte de utilizare:

- ◆ Asigurați-vă că ați îndepărtat toate ambalajele produsului.
- ◆ Înainte de prima utilizare, curățați componentele care vor intra în contact cu alimentele în modul prezentat în secțiunea despre curățare.
- ◆ Pregătiți aparatul conform funcției pe care doriți să o folosiți.

Utilizare:

- ♦ Desfășurați complet cablul înainte de a-l introduce în priză.
- ♦ Pregătiți aparatul cu accesoriul necesar în funcție de alimentele pe care le aveți de pregătit.
- ♦ Tăiați toate produsele alimentare în bucăți (se recomandă o cantitate mai mică de carne de oaie, carne dezosată și fără grăsime, dimensiune aproximativă: 20x20x60mm) astfel încât să se potrivească cu ușurință în deschiderea containerului.
- ♦ Conectați aparatul la rețeaua electrică.
- ♦ Porniți aparatul, prin poziția de selectare 1 pe butoanele de comutare.
- ♦ Introduceți alimente în tavă folosind numai dispozitivul de împingere a alimentelor pentru a-l introduce în capul de tocare.

După ce ați terminat utilizarea aparatului:

- ♦ Opriiți aparatul de la întrerupătorul pornit/oprit. Selectați poziția „0”.
- ♦ Deconectați aparatul de la rețeaua de alimentare.
- ♦ Curățați aparatul.

Accesorii:**Placă de tăiere (J):**

- ♦ Aceste plăci de tăiere permit măcinarea cârnii cu o textură mai groasă sau mai fină, în funcție de dimensiunea găurilor discului.
- ♦ Apăsăți butonul de blocare (C), țineți capul și introduceți-l în orificiul de admisie (atunci când introduceți vă rugăm să aveți grijă capul să fie înclinat ca săgeata indicată deasupra)(Fig.1). TApoi deplasați capul înspre stânga, astfel încât capul să fie fixat strâns. (Fig. 2).
- ♦ Introduceți șurubul prin orificiul de evacuare al capului de tocare. (Fig. 3).
- ♦ Așezați lama de tăiere în șurub cu marginea de tăiere orientată spre partea din față. (Fig.4). Dacă nu este montat corect, carnea nu va fi tocată.
- ♦ Introduceți una din cele trei plăci de tăiere lângă lama de tăiere, montați evacuările plăcii de tăiere în creștăturile marginii cavității de evacuare a capului de tocare. (Fig. 5).
- ♦ Înșurubați inelul de fixare strâns în orificiul de evacuare al capului de tocare, ce se rotește înspre dreapta pentru a se potrivi cu șurubul, lama și placa de tăiere. (Fig.6).
- ♦ Poziționați tava în partea superioară a capului de tocare.

Duza pentru umplerea cârnaților (L):

- ♦ Apăsăți butonul de blocare (C), țineți capul și introdu-

ceți-l în orificiul de admisie (atunci când introduceți vă rugăm să aveți grijă capul să fie înclinat ca săgeata indicată deasupra)(Fig.1). TApoi deplasați capul înspre stânga, astfel încât capul să fie fixat strâns. (Fig. 2).

- ♦ Introduceți șurubul prin orificiul de evacuare al capului de tocare. (Fig. 3).
- ♦ Așezați lama de tăiere în șurub cu marginea de tăiere orientată spre partea din față. (Fig.4).
- ♦ Introduceți placa de tăiere cu cele mai mari găuri în șurub, potrivind orificiile de evacuare ale plăcii de tăiere în creștăturile marginii orificiului de evacuare a capului de tocare. (Fig. 5).
- ♦ Introduceți duza pentru a umple cârnații prin inelul de fixare. (Fig.7).
- ♦ Înșurubați inelul de fixare strâns în orificiul de evacuare al capului de tocare, care se rotește înspre dreapta pentru a se potrivi cu șurubul, lama și duza. (Fig.6).
- ♦ Poziționați tava în partea superioară a capului de tocare.

Accesoriu pentru Kebbe(M):

- ♦ Apăsăți butonul de blocare (C), țineți capul și introduceți-l în orificiul de admisie (atunci când introduceți vă rugăm să aveți grijă capul să fie înclinat ca săgeata indicată deasupra)(Fig.1). TApoi deplasați capul înspre stânga, astfel încât capul să fie fixat strâns. (Fig. 2).
- ♦ Introduceți șurubul prin orificiul de evacuare al capului de tocare. (Fig. 3).
- ♦ Introduceți accesoriul pentru baza Kebbe în șurub și poziționați celălalt accesoriu Kebbe deasupra, fixând orificiile de ieșire în canelurile de margine ale gurii de umplere. (Fig.8).
- ♦ Înșurubați inelul de fixare strâns înspre dreapta pentru a se potrivi cu accesoriile pentru Kebbe în șurub. (Fig.6).
- ♦ Poziționați tava în partea superioară a capului de tocare.

Accesoriu pentru storcătorul de roșii (N):

- ♦ Acest accesoriu vă permite să separați semințele și pulpa de roșii pentru a extrage sucul.
- ♦ Introduceți capul de tocare în corpul motorului și fixați-l cu clema de reținere a lamei.
- ♦ Introduceți șurubul-puliță prin gura capului de tocare. (Fig. 3).
- ♦ Introduceți accesoriul de roșii, montați proeminențele cu orificiile de pe marginea gâtului de umplere. Strângeți ferm inelul de fixare prin înșurubarea acestuia înspre dreapta, până când accesoriul se fixează în șurubul-puliță. (Fig.9).
- ♦ Montați supapa de reglare a presiunii, dispozitivul de protecție contra stropirii și tava pentru colectarea sucului.

Funcția de inversare:

- ◆ În caz de blocare, opriți aparatul apăsând comutatorul în poziția „R”.
- ◆ Șurubul se va roti în direcția opusă, iar capul va deveni gol.
- ◆ Dacă nu funcționează, opriți aparatul și curățați-l.
- ◆ Așteptați un minut înainte și după funcția de schimbare.

Dacă motorul se blochează:

- ◆ Dacă motorul se mișcă încet sau se oprește, cauza poate fi alimentele din mixer care blochează lamele. În acest caz, utilizați butonul de schimbare a direcției. Pentru a face acest lucru, poziționați comutatorul din poziția pornit/oprit în poziția 0, apăsați butonul de schimbare a direcției. Utilizând șurubul pentru a efectua această operație, mâncarea va deveni decompactată (acordați o atenție deosebită în această situație de răsturnare, deoarece produsul poate ieși din tubul de umplere/tava). Dezactivați schimbarea direcției opuse, urmând procedura anterioară în sens invers.
- ◆ Dacă motorul continuă să fie blocat, deconectați aparatul din priză și demontați accesoriile acestuia.

CURĂȚARE

- ◆ Decuplați aparatul de la rețeaua de alimentare și lăsați-l să se răcească înaintea oricărei operații de curățare.
- ◆ Curățați aparatul cu o cârpă umedă și câteva picături de detergent lichid, apoi uscați-l.
- ◆ Nu utilizați solvenți sau produse cu pH acid sau bazic, precum înălbitori sau produse abrazive, pentru curățarea aparatului.
- ◆ Nu introduceți niciodată aparatul în apă sau orice alt lichid și nici nu țineți aparatul sub jet de apă.
- ◆ În timpul procesului de curățare fiți foarte atenți la lame, deoarece sunt foarte ascuțite.
- ◆ Este recomandabil să curățați aparatul în mod regulat și să îndepărtați resturile de alimente.
- ◆ Nicio componentă a aparatului nu este potrivită pentru curățare în mașina de spălat vase.
- ◆ Apoi uscați toate piesele înainte de asamblare și depozitare.

ANOMALII ȘI REPARAȚII

- ◆ Duceți aparatul la un service de asistență tehnică autorizat, dacă produsul este deteriorat sau apar alte probleme. Nu încercați să demontați sau să reparați singur aparatul, deoarece poate fi periculos.

GARANȚIE ȘI ASISTENȚĂ TEHNICĂ

- ◆ Acest produs beneficiază de recunoașterea și protecția garanției legale în conformitate cu legislația în vigoare. Pentru a vă exercita drepturile sau interesele, trebuie să vă adresați unuia dintre serviciile noastre oficiale de asistență tehnică.
- ◆ Puteți găsi cel mai apropiat serviciu de asistență tehnică accesând următorul link web: <http://www.2helpu.com/>.
- ◆ De asemenea, puteți solicita informații conexe, contactând-ne (consultați ultima pagină a manualului).
- ◆ Puteți descărca acest manual de instrucțiuni și actualizările sale la <http://www.2helpu.com/>.

Pentru versiunile UE ale produsului și/sau în cazul în care este obligatoriu în țară dvs.:

Ecologia și reciclarea produsului

- ◆ Materialele din care este alcătuit ambalajul acestui produs sunt incluse într-un sistem de colectare, clasificare și reciclare. Dacă veți dori să le eliminați, utilizați pubelele publice corespunzătoare fiecărui tip de material.
- ◆ Produsul nu conține substanțe în concentrații care ar putea fi considerate dăunătoare pentru mediu.



Acest simbol înseamnă că, în cazul în care doriți să aruncați aparatul la încheierea duratei sale de funcționare, trebuie să îl duceți la un centru de colectare a deșeurilor autorizat, în vederea colectării selective a deșeurilor de echipamente electrice și electronice (DEEE).

Acest aparat respectă Directiva 2014/35/CE cu privire la echipamentele electrice destinate utilizării în cadrul unor anumite limite de tensiune, Directiva 2014/30/CE cu privire la compatibilitatea electromagnetică, Directiva 2011/65/UE privind restricțiile de utilizare a anumitor substanțe periculoase în echipamentele electrice și electronice și Directiva 2009/125/CE de instituire a unui cadru pentru stabilirea cerințelor în materie de proiectare ecologică aplicabile produselor cu impact energetic.

МЕСОМЕЛАЧКА

ВХММ1000Е

ВХММА1000Е

Уважаеми клиенти,

Благодарим Ви, че закупихте електроуред с марката Black+Decker.

Неговата технология, дизайн и функционалност, наред с факта, че надвишава и най-стриктните норми за качество ще Ви доставят дъгворемно и пълно удовлетворение.

СЪВЕТИ И ПРЕДУПРЕЖДЕНИЯ ЗА БЕЗОПАСНОСТ.

- ◆ Прочетете внимателно тази брошура, преди да пуснете уреда в действие. Запазете я за по-нататъшни справки. Несъобразяването с настоящите указания може да стане причина за произшествие.
- ◆ Преди да използвате ел. уреда за първи път, почистете всички части, намиращи се в допир с хранителните продукти, следвайки упътванията от раздел "Почистване".
- ◆ Уредът не трябва да се използва от деца. Дръжте апарата и щепсела му далеч от достъпа на деца.
- ◆ Този апарат може да се използва от лица с физически, сетивни и умствени увреждания или от лица, които нямат опит с управлението му, при условие, че са контролирани или са получили инструкции за безопасната употреба на апарата и разбират възможните рискове.
- ◆ Този уред не е играчка! Дръжте децата под наблюдение, така че да не си играят с уреда.
- ◆ Ножчетата са наточени и могат да причинят нараняване. Подходете внимателно и избягвайте пряк контакт с остриетата на ножчетата.
- ◆ Бъдете особено внимателни при боравенето с ножчетата, при дейностите по сглобяване и разглобяване, при изпраждане на каната и по време на почистването.
- ◆ Изключвайте уреда от мрежата, както когато не е в употреба, така и преди смяна на принадлежностите или близко намиращи се части, които се движат по време на неговата употреба, монтаж, демонтаж или почистване.
- ◆ В случаите на повреден захранващ кабел, същият следва да се подмени. При такива случаи, моля отнесете уреда в оторизиран сервиз за техническо обслужване. С цел избягване на произшествия, моля не поправяйте или разглобявайте уреда.
- ◆ Уредът е предназначен

единствено за битови нужди, а не за професионална или промишлена употреба.

- ◆ Преди да свържете уреда към мрежата, проверете, дали посоченото на табелката с техническите характеристики напрежение съвпада с напрежението на електрическата мрежа.
- ◆ Включете уреда в заземен източник на електрически ток, който да издържа най-малко 10 ампера.
- ◆ Щепселът на уреда следва да съвпада по вид с електрическия контакт. В никакъв случай не променяйте вида на щепсела. Не използвайте адаптори за щепсела.
- ◆ Не поставяйте уреда върху топли повърхности като плочи за готвене, газови котлони, фурни и др.
- ◆ Уредът следва да се постави и използва върху равна и стабилна повърхност.
- ◆ Не използвайте уреда при повреден кабел или щепсел.
- ◆ Ако някоя външна част на уреда се повреди, незабавно го изключете от захранващата мрежа, за да предотвратите опасността от електроудар.
- ◆ Моля не използвайте уреда, ако е падал или ако има видими следи от увреждане.
- ◆ Не упражнявайте сила върху електрическия кабел. В никакъв случай не използвайте електрическия кабел за повдигане, пренасяне или изключване на апарата.
- ◆ Проверявайте често състоянието на захранващия кабел. Ако кабелът е повреден или заплетен, опасността от електрически удар нараства.
- ◆ Не използвайте и не съхранявайте уреда на открито.
- ◆ Не пипайте щепсела за включване в мрежата с мокри ръце.
- ◆ Вземете необходимите мерки за предотвратяване нежелано включване на електроуреда.
- ◆ Не се докосвайте до движещите се части на уреда, докато се намира в работен режим.
- ◆ След спирането на уреда, бъдете внимателни, тъй като ножчетата продължават да се въртят по инерция.
- ◆ Когато уредът се намира в работен режим, достъпните повърхности може да бъдат високонагreti.

Употреба и поддръжка :

- ◆ Преди употреба развийте напълно захранващия кабел на уреда..
- ◆ Не използвайте уреда при неправилно поставени

приставки и филтри.

- ◆ Не използвайте уреда с дефектни принадлежности. Незабавно ги заменете.
- ◆ Не използвайте уреда при повреден бутон за вкл./ изкл.
- ◆ Не движете уреда, докато работи.
- ◆ Не надвишавайте работният капацитет на уреда.
- ◆ Съхранявайте уреда далеч от досега на деца и/или хора с намалени физически, сензорни или умствени възможности, или такива без опит и познания за боравене с него.
- ◆ Поддържайте уреда в добро състояние. Проверете дали подвижните части не са разцентровани или блокирани, дали няма счупени части и други подобни неизправности, които могат да повлияят на правилното функциониране на уреда.
- ◆ Използвайте този уред, както и приставките и инструментите към него като следвате тези инструкции, съобразявайки се с работните условия и престоящата за извършване дейност. Употребата на уреда за цели, различни от посочените може да доведе до опасни ситуации.
- ◆ За натискане на продуктите в хранилището за пълнене използвайте винаги буталото. В никакъв случай не правете това с пръсти или с други приспособления.
- ◆ Моля не оставяйте уреда без наблюдение, докато работи.
- ◆ Не използвайте уреда повече от 3 последователни минути.
- ◆ Не използвайте уреда с неразмразени или съдържащи костилки продукти.

Обслужване на уреда:

- ◆ Неправилното използване на уреда или неспазването на указанията за работа с него е опасно, анулира гаранцията и освобождава производителя от отговорност.

ОПИСАНИЕ

- A Бутон (ON/OFF/Обратно)
- B Корпус
- C Бутон за притягане
- D Участък за поставяне на главата
- E Бутало
- F Корито
- G Глава на месомелачката
- H Безконечен винт
- I Ножче
- J Режещи планки (3 размера)

- К Притягащ пръстен
- L Мундщук за кренвириши
- M Приставка за Kebbe
- N Приставка за доматен сос (*)

(*) Само при модела ВХММА1000Е.

В случай, че Вашият уред е модел, който не притежава гореписаните приставки, можете да ги придобие от отделно в сервизите за техническо обслужване.

НАЧИН НА УПОТРЕБА

Забележки преди употреба:

- ♦ Уверете се, че изцяло сте отстранили опаковката на уреда.
- ♦ Преди да използвате ел. уреда за първи път, почистете всички части, намиращи се в допир с хранителните продукти, като следвате указанията в раздел "Почистяване".
- ♦ Подгответе уреда в зависимост от функцията която желаете да използвате:

Употреба:

- ♦ Преди употреба развийте напълно хранящия кабел на уреда.
- ♦ Пригответе уреда с необходимата приставка в зависимост от храната, която възнамерявате да обработите.
- ♦ Нарежете всички хранителни продукти на парчета (Препоръчва се месо без жили, кости или мазнини, приблизителен размер: 20 мм. x 20 мм. x 60 мм.) така, че те да могат да преминават лесно през отвора.
- ♦ Включете уреда в електрическата мрежа.
- ♦ Пуснете уреда, избирайки позиция 1 на бутона.
- ♦ Поставете хранителните продукти в планката на фунията, служейки си единствено с коритото за натискане, за да ги вкарите в хранящата тръба.
- ♦ Работете с продуктите, които желаете да обработите.
- ♦ С цел да избегнете прекалено грубо задействане, задействайте уреда постепенно.

След приключване на работата с уреда:

- ♦ Спрете уреда от бутона за включване/изключване. Изберете положение "0".
- ♦ Изключете уреда от електрическата мрежа.
- ♦ Почистете уреда.

Приставки:

Режещи планки (J):

- ♦ Тези режещи планки позволяват меленето на месо на по-едро или по-дребно в зависимост от големината на отворите на диска.
- ♦ Натиснете бутона за притягане! Задръжте мелещата глава и я пхнете на входа. При поставянето моля внимавайте главата да бъде поставена според както е обозначено от стрелката, виж (Fig.1). След което завъртете главата в посока обратна на часовниковата стрелка, така че тя се притегне здраво. (Fig.2).
- ♦ Пхнете спираловидният водач през хранящата тръба на мелещата глава. (Fig.3).
- ♦ Поставете ножчето във винта с режещата част навън. (Fig.4). Ако ножчето не е добре поставено месото няма да може да се мели.
- ♦ Пхнете един от трите режещи планки в спираловидния водач, така че отворите на диска да съвпадат със зъбците на хранящата тръба на мелещата глава. (Fig.5).
- ♦ Затегнете притягащия пръстен здраво към хранящата тръба на мелещата глава завъртайки го в посока обратна на часовниковата стрелка за да съвпадне със спираловидния водач, ножа и режещата планка. (Fig.6).
- ♦ Поставете коритото в горната част на мелещата глава.

Мундщук за пълнене на колбаси(L):

- ♦ Натиснете бутона за притягане! Задръжте мелещата глава и я пхнете на входа. При поставянето моля внимавайте главата да бъде поставена според както е обозначено от стрелката, виж (Fig.1). След което завъртете главата в посока обратна на часовниковата стрелка, така че тя се притегне здраво. (Fig.2).
- ♦ Вкарайте винта през входа на режещата глава. (Fig.3).
- ♦ Поставете ножчето във винта с режещата част навън. (Fig.4).
- ♦ Пхнете режещата планка с най-големите отвори в спираловидния водач, така че отворите на диска да съвпадат със зъбците на хранящата тръба на режещата глава. (Fig.5).
- ♦ Вкарайте мундщука за кренвириши посредством закрепващия пръстен. (Fig.7).
- ♦ Затегнете здраво закрепващия пръстен на входа на мелещата глава, като го завъртате в посока на часовниковата стрелка, докато се напаснат винтът, ножчето и мундщукът. (Fig.6).

- ♦ Поставете коритото в горната част на мелещата глава.

Приставка за Kebbe (M):

- ♦ Натиснете бутона за притягане/задръжте мелещата глава и я пхнете на входа. При поставянето моля внимавайте главата да бъде поставена както е обозначено от стрелката, виж (Fig.1). След което завъртете главата в посока обратна на часовниковата стрелка, така че тя се притегне здраво. (Fig.2).
- ♦ Пхнете спираловидният водач през хранващата тръба на мелещата глава. (Fig.3).
- ♦ Пхнете основната приставка за Kebbe в спираловидният водач и поставете другата приставка за Kebbe отгоре, така че отворите да съвпадат със зъбците на хранващата тръба. (Fig.8).
- ♦ Затегнете притягащия пръстен здраво завъртайки го в посока обратна на часовниковата стрелка за да съвпадне с приставката за Kebbe в спираловидният водач. (Fig.6).
- ♦ Поставете коритото в горната част на мелещата глава.

Приставка за домати(N)

- ♦ Тази приставка позволява отделянето на семките и месестата част на домата с цел извличане на неговия сок.
- ♦ Натиснете бутона за притягане/задръжте мелещата глава и я пхнете на входа. При поставянето моля внимавайте главата да бъде поставена според както е обозначено от стрелката, виж (Fig.1). След което завъртете главата в посока обратна на часовниковата стрелка, така че тя се притегне здраво. (Fig.2).
- ♦ Пхнете спираловидният водач през хранващата тръба на мелещата глава. (Fig.3).
- ♦ Вкарайте приставката за мелене на домати, като напаснете издатините в вдлъбнатините на ръба на отвора за пълнене. Затегнете силно крепежния пръстен, като го завие в посока на часовниковата стрелка, докато приставката се напасне във винта. (Fig.9)
- ♦ Поставете вентила за управление на налягането, протектора срещу пръски и коритото за събиране на сока.

Функция „обратен ход“:

- ♦ В случай на задръстване на уреда, изключете го като

завъртите бутона на положение "R".

- ♦ Спираловидният водач ще се завърти в обратна посока, и главата ще се изпразни.
- ♦ Ако това не проработи, изключете устройството и го почистете.
- ♦ Преди да пристъпите и след като приключите с тази функция, моля изчакайте една минута.

В случай, че моторът блокира:

- ♦ В случай, че моторът се движи лесно или спре, това може да се дължи на това, че обработваните продукти са задръстили мелачката. В такъв случай използвайте прекъсвача за завъртане на уреда в обратна посока. Поставете прекъсвача на положение „O“ и натиснете копчето за обратно въртене. Като извършите това действие, безконечния винт ще разтроши продуктите (внимавайте по време на обратното въртене, защото част от продуктите може да излезе през тръбата или през коритото за пълнене). Спрете въртенето в обратна посока, като извършите обясненото по-горе в обратен ред.
- ♦ Ако моторът продължава да е блокиран, тогава изключете уреда и разглобете приставките.

Механизъм за автоматично изключване при преграждане:

- ♦ Уредът е снабден със защитен механизъм, предпазващ го от всякакъв вид преграждане.
- ♦ Ако уредът се изключи автоматично и не се включи повторно, извадете щепсела от ел. контакт, изчакайте около 15 минути и го включете отново. Ако и тогава не работи, обърнете се към оторизиран сервиз за техническо обслужване.

ПОЧИСТВАНЕ

- ♦ Изключете уреда от хранващата мрежа и го оставете да изстине, преди да започнете да го почиствате.
- ♦ Почистете уреда с влажна кърпа, напоена с няколко капки миеш препарат, след което го подсушете.
- ♦ За почистването на уреда не използвайте разтворители и препарати с киселинен или основен pH фактор, като например белина и абразивни продукти.
- ♦ Не потапяйте уреда във вода или друга течност и не го поставяйте под течаща вода.
- ♦ По време на почистването на уреда, бъдете особено внимателни с ножчетата, защото са изключително остри.

- ♦ Препоръчително е да почиствате ел. уреда редовно и напълно да отстранявате остатъците от храна.
- ♦ Не се допуска която и да е част от този уред да бъде измивана в съдомиялна машина.
- ♦ След това, подсушете добре всички части, поставете ги обратно и съхранете уреда.

НЕИЗПРАВНОСТИ И РЕМОНТ

- ♦ В случай на неизправност, моля отнесете уреда в оторизиран сервиз за техническо обслужване. Моля не се опитвайте да разглобявате уреда или пък да го поправяте - това е опасно.

ГАРАНЦИЯ И ТЕХНИЧЕСКИ СЕРВИЗ

- ♦ Настоящият продукт има законна гаранция, в съответствие с действащото законодателство. Ако желаете да упражните правата си на потребител следва да се насочите към някой от нашите оторизирани сервиси.
- ♦ Най-близкия до Вас сервиз можете да откриете на следния линк: <http://www.2helpu.com/>
- ♦ Също така, можете да потърсите информация, свързвайки се с нас (вижте на последната страница на наръчника).
- ♦ Наръчника с указания и неговите осъвременявания можете да свалите на следния <http://www.2helpu.com/>.

За разновидностите EU на това изделие и/или в случая, приложим за Вашата страна:

Опазване на околната среда и рециклиране на изделието.

- ♦ Материалите, от които изработена опаковката на този електроуред са включени в система за тяхното събиране, класифициране и рециклиране. Ако желаете да се освободите от тях, използвайте обществените контейнери, пригодени за всеки отделен вид материал.
- ♦ В изделието отсъстват концентрации на вещества, които могат да бъдат определени като вредни за околната среда.



Този символ означава, че ако желаете да се освободите от уреда след изтичане на експлоатационния му живот трябва да го предадете по подходящ начин на фирма за преработка на отпадъци, оторизирана за

разделно събиране на относно отпадъци от електрическо и електронно оборудване (ОЕЕО).

Настоящият уред изпълнява Директива 2014/35/UE за ниски напрежения, Директива 2014/30/UE за електромагнетично съответствие и с Директива 2011/65/EU за ограниченията при употреба на някои определени опасни вещества в електрически и електронни апарати и с Директива 2009/125/СЕ за изискванията за екологичен дизайн, приложими към изделия, свързани с енергия.

België/Belgique	Stanley Black & Decker Belgium BVBA Egide Walschaertsstraat 16 2800 Mechelen	www.blackanddecker.be enduser.BE@SBDinc.com Tel - NL. +32 15 47 37 65 Tel – FR. +32 15 47 37 66
Bulgaria	Stanley Black&Decker Polska Bucharest Branch Phoenicia Business Center Turturelelor Street, No 11A, 6th Floor,Module 15, 3rd District. Bucharest (Romania)	office.bucharest@sbdinc.com Tel. +4021.320.61.04.
Česká Republika	Stanley Black & Decker Czech Republic s.r.o. Chodov Tůrkova 2319/5b 149 00 Praha 4 Česká Republika	www.blackanddecker.cz recepce@blackanddecker.cz Tel: 261 009 782
Danmark	Stanley Black & Decker Denmark Roskildevej 22 2620 Albertslund	www.blackanddecker.dk kundeservice.dk@sbdinc.com Tel. 70 20 15 10 Fax. 70 22 49 10
Deutschland	Stanley Black & Decker Deutschland GmbH Black & Decker Str. 40, D - 65510 Idstein	www.blackanddecker.de infobfge@sbdinc.com Tel. 06126 21-0 Fax 06126 21-2980
Ελλάδα	Black & Decker Ελλάς ΕΔΡΑ-ΓΡΑΦΕΙΑ : Στράβωνος 7 & Λ. Βουλιαγμένης. 166 74 Γλυφάδα - Αθήνα SERVICE : Ημερος Τόπος 2 (Χάνι Αδάμ) - 193 00 Ασπρόπυργος	www.blackanddecker.gr Greece.Service@sbdinc.com Τηλ: 00302108981616 Φαξ: 00302108983570
España	Engineering and Technology for Life Spain Avenida Barcelona s/n 25790 Oliana (Lleida)	www.blackanddecker.es service.spain@etforlife.com
France	Engineering and Technology for Life France 6 rue de l'Industrie Z.I des Sablons 89100 Sens	www.blackanddecker.fr service.france@etforlife.com
Helvetia	ROFO AG Gewerbezone Seeblick 3213 Kleinbödingen	www.blackanddecker.ch service@rofoag.ch Tel. 026 674 93 93 Fax 026 674 93 94
Hungary	Stanley Black & Decker Hungary Kft. Meszaros u. 58/B 1016 Budapest (Hungary)	www.blackanddecker.hu Tel: 1.6 225-1661 / 62
Italia	Stanley Black & Decker Italia Via Energypark 6 c/o Energypark Building 3 sud 20871 Vimercate (MB)	www.blackanddecker.it service.italia@blackanddecker.com Tel. 800-213935 Fax 039-9590313
Nederland	Stanley Black & Decker Netherlands BV Holtum Noordweg 35 6121 RE BORN Postbus 83. 6120 AB BORN	www.blackanddecker.nl enduser.NL@SBDinc.com Tel. +31 164 283 065 Fax +31 164 283 200
Norge	Stanley Black & Decker Norway AS Gullhaugveien 11, 0484 Oslo PB 4613, Nydalen, 0405 Oslo	www.blackanddecker.no kundeservice.no@sbdinc.com Tlf. 22 90 99 10 Fax 45 25 08 00

Österreich	Stanley Black & Decker Austria GmbH Oberlaaerstraße 248, A-1230 Wien	www.blackanddecker.at service.austria@sbdinc.com Tel. 01 66116-0 Fax 01 66116-614
Polska	Stanley Black & Decker Polska SP.z.o.o ul. Postepu 21D 02-676 Warszawa Polska	www.blackanddecker.pl reception.warsaw@sbdinc.com Tel: 22 4642700
Portugal	Engineering and Technology for Life Portugal Avenida Rainha D. Amélia, nº12-B 1600-677 Lisboa	www.blackanddecker.pt service.portugal@efforlife.com
Romania	Stanley Black&Decker Polska Bucharest Branch Phoenicia Business Center Turturelelor Street, No 11A, 6th Floor,Module 15, 3rd District. Bucharest (Romania)	office.bucharest@sbdinc.com Tel. +4021.320.61.04.
Slovenija	G-M&M, proizvodnja in marketing, d.o.o. Brvace 11 1290 Grosuplje (Slovenija)	G-M&M, proizvodnja in marketing, d.o.o. Brvace 11 1290 Grosuplje (Slovenija)
Suomi	Stanley Black & Decker Finland Oy Kumpulantie 13B, 00520 Helsinki PL 47, 00521 Helsinki	www.blackanddecker.fi asiakaspalvelu.fi@sbdinc.com Puh. 010 400 43 33 Faksi 0800 411 340
Sverige	Stanley Black & Decker Sweden AB Flöjelbergsgatan 1c, 431 35 Mölndal Box 94, 431 22 Mölndal	www.blackanddecker.se kundservice.se@sbdinc.com Tel. 031-68 60 60 Fax 031-68 60 80
United Kingdom & Republic Of Ireland	"Black & Decker Slough, Berkshire SL1 3YD 210 Bath Road "	www.blackanddecker.co.uk emeaservice@sbdinc.com Tel. 01753 511234

