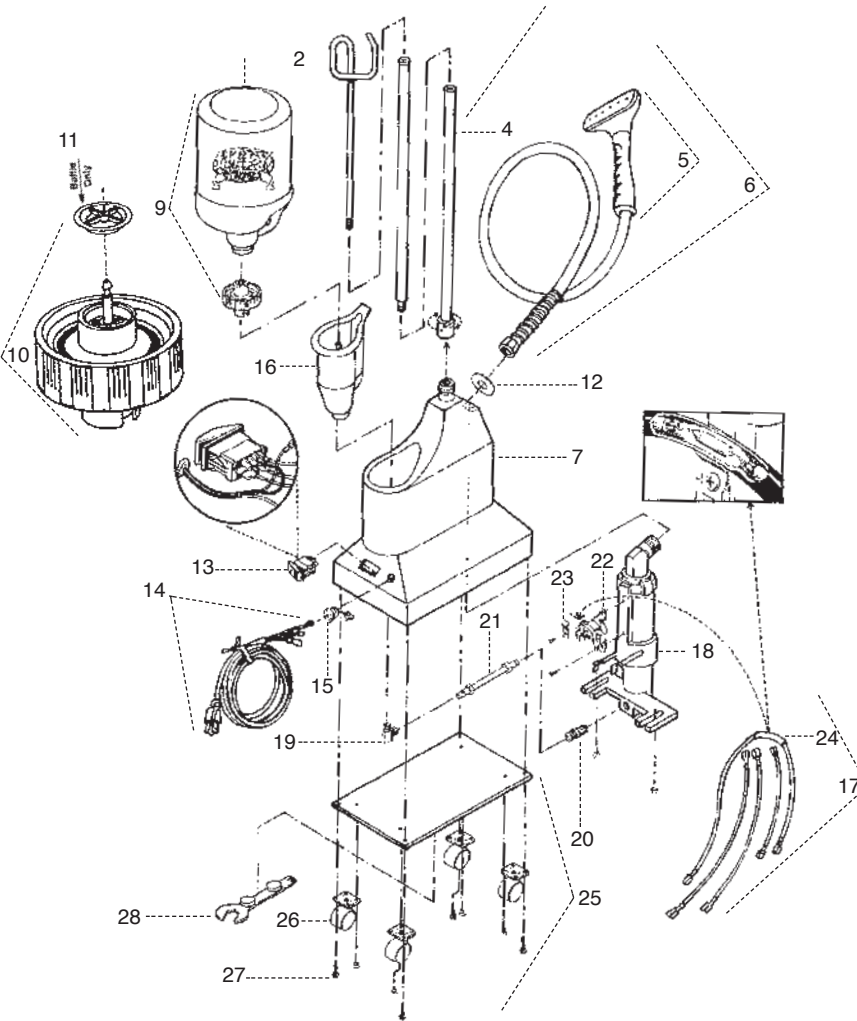


# J-2 Parts Diagram

Should you ever need replacement parts for your Jiffy Steamer, you may purchase them separately. Use this convenient diagram and parts list to identify any part you may need. Please reference the Jiffy Steamer part number, model number and serial number when ordering.



Key #	Part #	Part Description	Price
1	<b>1030</b>	Rod Set and Nut Complete with Metal Studs	\$30.00
	<b>0031</b>	Hose Hanger Rod Set with Adapter Complete	\$30.00
	<b>0031A</b>	Hose Hanger Rod Set without Adapter Complete	\$25.00
	<b>0041</b>	Base Adapter with Thumb Screw (for Old Style Rods Sets)	\$ 5.00
2	<b>0035</b>	Hook Section of Rod Set	\$ 7.50
3	<b>0036</b>	Middle Section of Rod Set	\$ 8.50
4	<b>1033</b>	Bottom Section of Rod Set (with Nut Attached)	\$15.50
	<b>0037</b>	Bottom Section of Rod Set (without Nut)	\$ 8.50
	<b>0043</b>	Metal Threaded Cap Screw for Rod Set	\$ 1.75
	<b>0039</b>	Metal Threaded Stud for Rod Sections	\$ 1.75
5	<b>0253</b>	Plastic Steam Head/Handle Replacement Kit	\$25.00
6	<b>0251</b>	Plastic Head/Handle Hose Attachment Complete	\$58.00
	<b>0280</b>	Hose Per Foot (Black in Color)	\$ 3.50
7	<b>0003B</b>	Painted Die Cast Aluminum Housing Kit - 120 Volt	\$60.00
	<b>0003C</b>	Painted Die Cast Aluminum Housing Kit - 230 Volt	\$60.00
	<b>0023</b>	Plastic Water Bottle "A" with Cap	\$ 7.50
	<b>0027</b>	Replacement Cap for Water Bottle "A"	\$ 1.00
8	<b>0026A</b>	Plastic Water Bottle "B" without Check Valve Cap	\$ 6.75
9	<b>0025</b>	Plastic Water Bottle "B" with Check Valve Cap	\$11.00
10	<b>0027A</b>	Replacement Check Valve Cap for Water Bottle "B"	\$ 4.50
11	<b>0027B</b>	Replacement Check Valve Cap Baffle Only	\$ 0.35
12	<b>0004</b>	Round Beauty Ring	\$ 1.00
	<b>0122</b>	Toggle Switch (3 Pieces)	\$ 8.50
	<b>0127</b>	Red Neon Pilot Light with Lock Ring 120 Volt	\$ 5.00
	<b>0128</b>	Red Neon Pilot Light with Lock Ring 230 Volt	\$ 5.00
13	<b>1125</b>	Green Lighted Contura Rocker Switch 120 Volt	\$10.50
	<b>1126</b>	Green Lighted Contura Rocker Switch 230 Volt	\$10.50
14	<b>0132</b>	Cord Set (16/3 gauge) with Strain Relief	\$11.00
15	<b>0132B</b>	Cord Strain Relief	\$ 1.75
16	<b>0028</b>	Water Cup with 90 Degree Brass Fitting	\$21.00
	<b>0147</b>	Internal Wire Set for Models with Front Red Light	\$10.50
17	<b>0148</b>	Internal Wire Set for Models with Green Contura Rocker Switch	\$10.50
	<b>0596</b>	Heating Unit Kit (wiring included) for Models with Front Red Light - 120 Volt Cord Set and 4" Water Line	\$ 95.00
	<b>0177A</b>	Heating Unit Kit (wiring included) for Models with Front Red Light - 230 Volt Cord Set and 4" Water Line	\$ 95.00
	<b>0597</b>	Heating Unit Kit (wiring included) for Models with Green Lighted Rocker Switch - 120 Volt Cord Set and 4" Water Line	\$ 95.00
	<b>0597A</b>	Heating Unit Kit (wiring included) for Models with Green Lighted Rocker Switch - 230 Volt Cord Set and 4" Water Line	\$ 95.00
18	<b>0161A</b>	Heating Unit Assembly (no wiring included) - 120 Volt and 4" Water Line	\$ 72.50
	<b>0162A</b>	Heating Unit Assembly (no wiring included) - 230 Volt and 4" Water Line	\$ 72.50
19	<b>0030</b>	Brass 90 Degree Elbow Joint	\$ 3.00
20	<b>1130</b>	3/8" x 1/4" Straight Brass Fitting for Heating Element Housing	\$ 3.00
21	<b>0591</b>	Copper Tube (4" length) with Nuts and Compression Rings	\$ 5.00
	<b>1191</b>	Copper Tube (4 1/2" length) with Nuts and Compression Rings	\$ 5.00
	<b>0187</b>	Copper Tube (5" length) with Nuts and Compression Rings	\$ 5.00
22	<b>0160</b>	L-290 Thermostat	\$10.00
23	<b>0195</b>	Fusible Link Clamp	\$ 1.75
24	<b>0151</b>	Fusible Link Wire with Insulated Lug and Clamp	\$ 3.50
25	<b>0009</b>	Bottom Plate with Casters	\$15.50
26	<b>0011</b>	Bottom Plate Casters (Set of 4)	\$ 7.50
27	<b>0010</b>	Screws for Bottom Plate (4 Screws Total)	1.00

### Accessories

	<b>1026</b>	"I" Kit - 5.5' Hose with Four Attachments	\$
28	<b>1050</b>	Jiffy Steamer Assembly Wrench	\$ 5.00
	<b>0274</b>	Brass Hat Nozzle Attachment	\$15.00
	<b>0254</b>	Metal Head/Wood Handle Hose Attachment Complete	\$81.00
	<b>0256</b>	Metal Head / Wood Handle Only	\$43.50
	<b>0269</b>	Replacement Wooden Handle (for Metal Steam Heads)	\$ 8.25
	<b>0262</b>	Wig Hose Attachment	\$68.00
	<b>1062</b>	Steam Cleaning "B" Brush Hose Attachment	\$70.00
	<b>1063</b>	Brush Only for the "B" Hose Attachment	\$10.00
	<b>0899</b>	Liquid Cleaner - 3 Ten (10) Ounce Bottles per Package*	18.00

\*Not Available for Export.

## Jiffy Steamer Company, LLC

🌐 [jiffysteamer.com](http://jiffysteamer.com)

✉ [info@jiffysteamer.com](mailto:info@jiffysteamer.com)

☎ 1.731.885.6690

📠 1.731.885.6692

Manufacturing Plant:

4462 Ken-Tenn Highway

Union City, Tennessee 38261

United States of America

# J-2 Wiring Diagram



Worldwide Leader in Steaming  
Equipment Since 1940

Before attempting any repair on a Jiffy Steamer product, make sure that it is unplugged from the outlet. If you have any questions, please contact our repair department at 1-800-525-4339 between 7:30 AM - 4:00 PM Central Time.

Please note switch terminal 2, 3, 5 and 6 indicated on the enlarged switch diagram are marked on the actual switch. Jiffy® Steamers manufactured before May 2000 are not marked with the terminal switch numbers. Numbers in parenthesis refer to the drawing on on the right.

1. Insert cord set (1) into housing and connect black positive wire (2) from cord set to terminal number 5 on the switch.
2. Connect blue wire (4) from the right side of brass heating element (5) to right side of the L-290 thermostat (6).
3. Insert brass heating element unit into housing. Hand tighten the brass nuts (7) on the water line to the element and to the 90 degree fitting from the cup. Tighten 2 mounting screws (8) at the base of heating element. Now, use a 5/8" wrench to securely tighten the brass nuts on the water line to the element and to the 90 degree fitting from the cup. Heating unit may be loosened and adjusted for a better fit if necessary.
4. Place the 4 inch copper grounding strap as shown in drawing. Secure grounding strap and the green ground wire with the grounding screw by attaching to the heating element ground location (3).
5. Connect white wire (9) from the left side of the heater unit to terminal number 6 on switch.
6. Connect yellow wire (10) from the left side of the thermostat to terminal number 3 on the switch.
7. Connect white neutral wire (11) from cord set bundle to orange fusible link with plastic connector (12).
8. Connect other end of orange fusible link to terminal number 2 on the switch.
9. Set steamer upright and place black plastic strain relief (13) approximately 4 1/2" from end of cord set and insert into housing using pliers.
10. Secure bottom plate with four screws.
11. To avoid leakage, be sure to tighten hose (or hat nozzle) with wrench before using steamer.

## Jiffy Steamer Company, LLC

 [jiffysteamer.com](http://jiffysteamer.com)    Manufacturing Plant:  
 [info@jiffysteamer.com](mailto:info@jiffysteamer.com)    4462 Ken-Tenn Highway  
 1.731.885.6690    Union City, Tennessee 38261  
 1.731.885.6692    United States of America

