

BXMF75E

www.blackanddecker.eu

EN

FR

DE

IT

ES

PT

NL

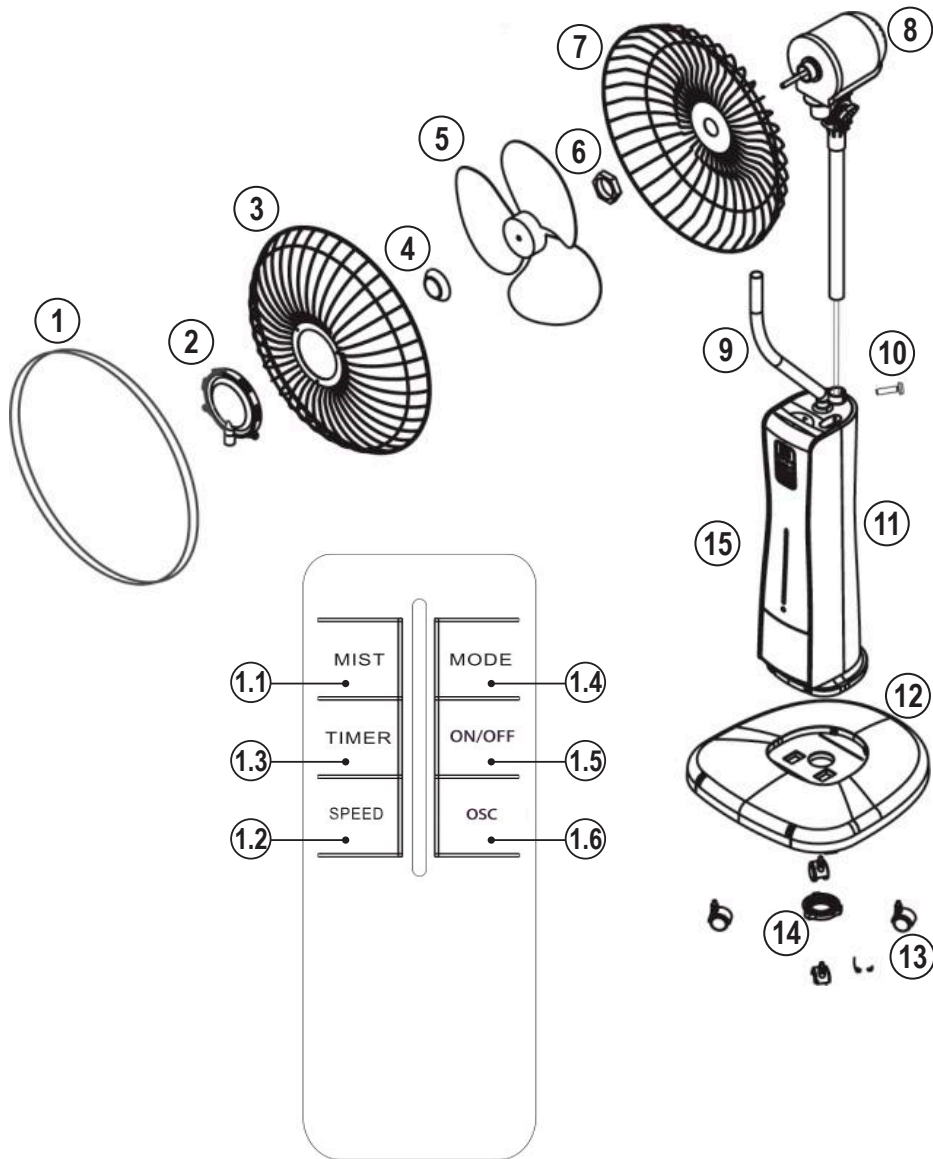
PL

EL

RU

RO

BG



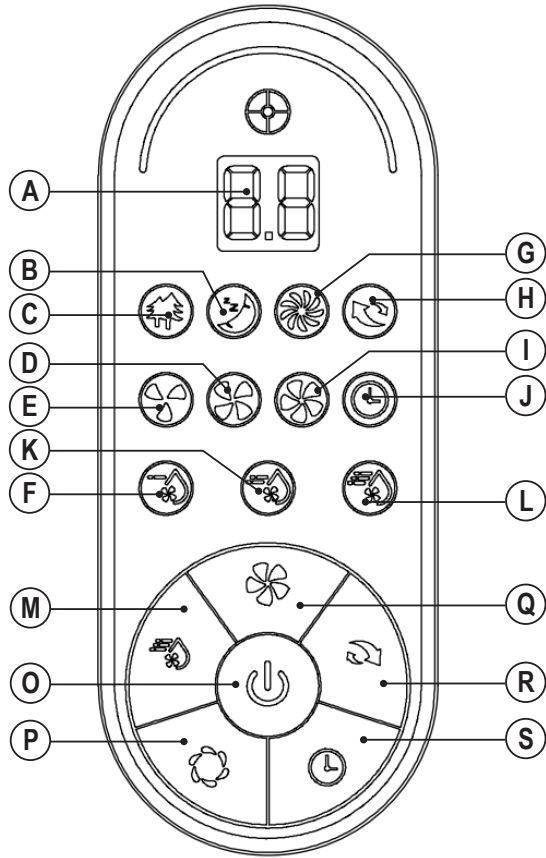


Fig 1

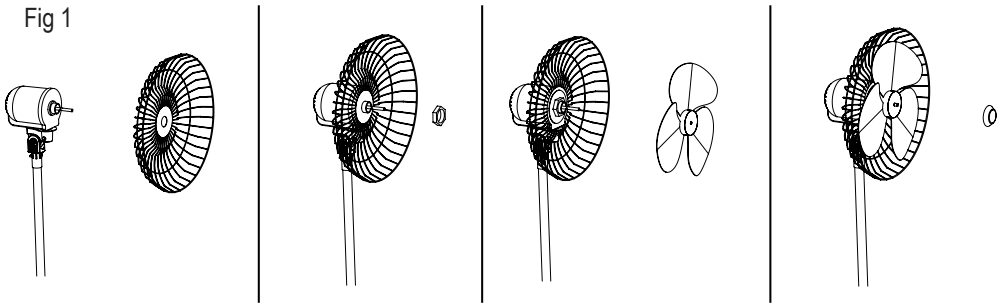


Fig 2

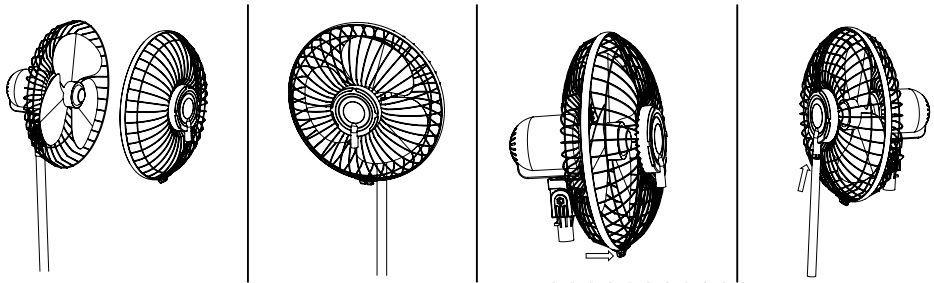
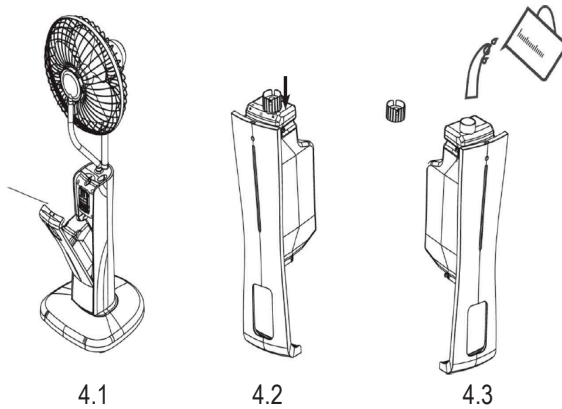


Fig 3



Fig 4



MIST FAN BXMF75E

Dear customer,

Many thanks for choosing to purchase a BLACK + DECKER brand product.

Thanks to its technology, design and operation and the fact that it exceeds the strictest quality standards, a fully satisfactory use and long product life can be assured.

SAFETY ADVICE AND WARNINGS

- ◆ Read these instructions carefully before using this appliance and keep them for future reference. Failure to follow and observe these instructions could lead to an accident.
- ◆ This appliance can be used by children aged from 8 years and above and persons with reduced physical, sensory or mental capabilities or lack of experience and knowledge if they have been given supervision or instruction concerning use of the appliance in a safe way and understand the hazards involved.
- ◆ Cleaning and user maintenance shall not be made by children unless they are supervised.
- ◆ This appliance is not a toy. Children should be supervised to ensure that they do not play with the appliance.
- ◆ If the supply cord is damaged, it must be replaced by the manufacturer, its service agent or similarly qualified persons in order to avoid a hazard.
- ◆ Ensure that the fan is switched off from the supply mains before start any installation or assembly operation.
- ◆ Disconnect the appliance from the mains when not in use and before undertaking any cleaning, maintenance or filling task.
- ◆ Ensure that the fan is switched off from the supply mains before removing the guard.
- ◆ This appliance is for household use only, not professional, industrial use.
- ◆ Be aware that high humidity levels may encourage the growth of biological organisms in the environment.
- ◆ Do not permit the area around the humidifier to become damp or wet. If dampness occurs, turn the output of the humidifier down. If the humidifier output volume cannot be turned down, use the humidifier intermittently. Do not allow absorbent materials, such as carpeting, curtains, drapes, or tablecloths, to become damp.
- ◆ Unplug the appliance during filling and cleaning
- ◆ Never leave water in the reservoir when the appliance is not in use.
- ◆ Empty and clean the humidifier

before storage. Clean the humidifier before next use.

- ◆ **WARNING:** Micro-organisms that may be present in the water or in the environment where the appliance is used or stored, can grow in the water reservoir and be blown in the air causing very serious health risks when the water is not renewed and the tank is not cleaned properly every 3 days.
- ◆ Empty the tank and refill every third day. Before refilling, clean the tank and other parts of the appliance in contact with standing water with fresh tap water and a few drops of cleaning detergent. Remove any scale, deposits, or film that has formed on the sides of the tank or on interior surfaces, and wipe all surfaces dry.
- ◆ Ensure that the voltage indicated on the rating label matches the mains voltage before plugging in the appliance.
- ◆ Connect the appliance to a socket that can supply a minimum of 10 amperes.
- ◆ The appliance's plug must fit into the mains socket properly. Do not alter the plug. Do not use plug adaptors.
- ◆ The appliance must be used and placed on a flat, stable surface.
- ◆ Ensure that neither the air access nor exit become either totally or partially covered by drapery, clothing, etc., as this increases the risk of fire.
- ◆ Do not use the appliance in association with a programmer, timer or other device that automatically switches it on.
- ◆ Do not use the appliance if the cable or plug is damaged.
- ◆ If the product enclosure breaks, immediately disconnect the appliance from the mains to prevent the possibility of an electric shock.

- ◆ Do not use the appliance if it has fallen on the floor, if there are visible signs of damage or if it has a leak.
- ◆ Do not pull the supply cord. Never use the supply cord to lift up, carry or unplug the appliance.
- ◆ Do not wrap the supply cord around the appliance.
- ◆ Check the state of the supply cord. Damaged or tangled cables increase the risk of electric shock.
- ◆ The appliance is not suitable for outdoor use.
- ◆ Supply cord should be regularly examined for signs of damage, and if the cord is damaged, the appliance must not be used.
- ◆ Do not use or store the appliance outdoors.
- ◆ Do not touch the plug with wet hands.
- ◆ Do not touch any of the appliance's moving parts while it is operating.
- ◆ The temperature of the accessible surfaces may be high when the appliance is in use.

Use and care:

- ◆ Fully extend the appliance's supply cord before each use.
- ◆ Do not use the appliance if its accessories are not properly fitted.
- ◆ Do not use the appliance if the accessories attached to it are defective. Replace them immediately.
- ◆ Do not use the appliance if the on/off switch does not work.
- ◆ Do not move the appliance while in use.
- ◆ Do not use the appliance if it is tipped up and do not turn it over.
- ◆ Do not turn the appliance over while it is in use or connected to the mains.
- ◆ Remove the batteries from the remote control if you are not going to use it for some time.
- ◆ Store this appliance out of reach of children and/or persons with physical, sensory or reduced mental or lack of experience and knowledge.
- ◆ Keep the appliance in a dry, dust-free place, out of direct sunlight.
- ◆ Make sure that dust, dirt or other foreign objects do not block the fan grill on the appliance.
- ◆ Keep the appliance in good condition. Check that the moving parts are not misaligned or jammed and make sure there are no broken parts or anomalies that may prevent the appliance from operating correctly.
- ◆ Never leave the appliance connected and unattended if is not in use. This saves energy and prolongs the life of the appliance.

Service:

- ◆ Make sure that the appliance is serviced only by specialist personnel, and that only original spare parts or accessories are used to replace existing parts/accessories.
- ◆ Do not attempt to disassemble or repair the appliance by yourself in order to avoid a hazard.
- ◆ CAUTION: There is a risk of fire if the appliance's cleaning is not done according to these instructions.
- ◆ Any misuse or failure to follow the instructions for use renders the guarantee and the manufacturer's liability null and void.

DESCRIPTION

1. Guard bracket
2. Mist Vent
3. Front fan guard
4. Blade bracket
5. Fan blade propeller
6. Guard bracket
7. Rear fan guard
8. Fan head/motor
9. Flexible Mist hose
10. Fixing screw
11. Housing
12. Pedestal heavy round base
13. 4 castors
14. Floor bracket
15. Water tank cover

- A Timer display (hours)
 B "Sleep" wind mode display
 C "Natural" wind mode display
 D "Medium" wind speed 2 display
 E "Light" wind speed 1 display
 F "Light" Mist volume 1 display
 G "Normal" wind mode display
 H Oscillation display
 I "Strong" wind speed 3 display
 J Timer indicator light
 K "Medium" Mist volume 2 display
 L "Strong" Mist volume 3 display
 M Mist volume settings
 O Power ON/OFF
 P Wind mode settings
 Q Fan Speed settings
 R Oscillation ON/OFF
 S Timer ON/Timer OFF settings

- 1.1 Mist ON / OFF & Mist volume settings
- 1.2 Wind Speed settings
- 1.3 Timer ON /OFF, 1-12 hours
- 1.4 Wind Mode Settings
- 1.5 Fan ON / OFF
- 1.6 Oscillation ON/OFF

INSTALLATION

- ◆ Be sure to remove all packaging material from inside the appliance.
- ◆ Ensure that the fan is switched off and unplugged from the supply mains before to start any installation or assembly operation.
- ◆ Do not remove the support feet or wheels from the appliance.
- ◆ Ensure that the appliance is level with respect to the floor.
- ◆ Do not cover or obstruct any of the openings of the appliance.
- ◆ The plug must be easily accessible so it can be disconnected in an emergency.
- ◆ The appliance should be used with its base fitted.
- ◆ The appliance should be used with its wheels attached.

Instructions for replacing the remote control battery (Fig 3)

- ◆ Non-rechargeable batteries should not be recharged.
- ◆ Rechargeable batteries should be removed from the product before charging.
- ◆ Different types of batteries and new and used batteries should not be mixed.
- ◆ Batteries are to be inserted with the correct polarity
- ◆ Exhausted batteries should be removed and safely disposed of.
- ◆ If the appliance is to be stored unused for a long period then batteries should be removed.
- ◆ The supply terminals should not be short-circuited.
- ◆ Open the battery cover of the remote control, take two AAA 1.5V batteries and put them in (the end with the spring in the remote control is the negative pole). The positive and negative poles of the battery should be installed corresponding to the positive and negative poles of the remote control.

Assembling the base:

- ◆ To fix the base into the appliance, place the appliance face down.

- ◆ Fit the base on the main body of the appliance.
- ◆ Fix the base using the floor bracket
- ◆ Stand the appliance up again so as to check that the base works properly.

Assembling the castors:

- ◆ To assemble the castors, place the appliance face down
- ◆ Insert the 4 castors (13) in the four holes
- ◆ Stand the appliance up again so as to check that the castors work properly.

Assembling the grill and the propeller (FIG 1&2):

- ◆ A) remove the fan blade bracket (4) and the guard bracket (6) on the fan head,
- ◆ B) align the rear fan guard (7) to the card position and install it, tighten the guard bracket (6) clockwise, and fix the rear fan guard,
- ◆ C) Install the fan blade propeller (5) against the motor shaft, pay attention to the motor shaft pin should be aligned with the slot on the fan blade, and tighten the fan blade bracket (4) on the motor shaft counterclockwise.
- ◆ D) install the guard bracket (1) on the rear fan guard (7), and then install the front fan guard (3) (the mist vent (2) on the front fan guard faces down), it is best to tighten the fan guard screws

INSTRUCTIONS FOR USE

Before use:

- ◆ Make sure that all products' packaging has been removed.
- ◆ Prepare the appliance according to the function you wish to use:

Use:

- ◆ CAUTION: Care should be taken to avoid spillage when moving the appliance.
- ◆ Extend the cable completely before plugging it in.
- ◆ Connect the appliance to the mains.
- ◆ Guide the appliance to direct the flow of air in the desired direction.
- ◆ Turn the appliance on, by using the on/off button.
- ◆ Select the appliance function desired.
- ◆ Select the desired power.
- ◆ Select the desired speed.

Fan function:

- ◆ Select the fan function.
- ◆ Select the desired fan speed.

Timer function:

- ◆ The appliance's operating time can be controlled.
- ◆ To program the operating time simply select it using the (S) or (1.3) buttons.
- ◆ You can select between 1 and 12 hours
- ◆ If you press the "Timer" button when the fan is on, the display will then show the time remaining
- ◆ The time programmed or remaining time will appear on the display (A).
- ◆ After the selected time the appliance will switch off automatically.

Oscillation function:

- ◆ The oscillation function makes it possible to direct the flow from the apparatus so that it automatically alternates over a range of 75°.
- ◆ To activate this function, press the oscillation on/off button (R) or (1.6).
- ◆ To deactivate this function, press the oscillation on / off button (R) or (1.6) again.

MODES

- ◆ Press the "Wind Mode" (P) or (1.4) button to set the wind mode (normal, sleep, natural).
- ◆ The Normal Mode is set by default when the unit is first turned on
- ◆ The Natural mode creates variable wind patterns so as to simulate the variable winds
- ◆ that you would experience outdoors
- ◆ The Sleep mode creates wind patterns that are the same as the Natural Mode wind.
- ◆ patterns. However, when the fan is set to either Medium or High Speed, the pattern will drop a speed level after approximately 30 minutes.
- ◆ Cooling using ultrasonic mist.
- ◆ Press the "M" settings button to switch the ultrasonic mist on, and you can select the mist volume (low, middle and high) by pressing the button several times.

Once you have finished using the appliance:

- ◆ Turn the appliance off, using the on/off switch (O).
- ◆ Unplug the appliance from the mains.
- ◆ Put the cable back in the cable housing.
- ◆ Clean the appliance.

How to Drain Excess Water

- ◆ Caution: care should be taken when draining excess water to avoid unnecessary spillage. Always drain the excess water in a space where water damage to surrounding areas is not possible.
- ◆ When removing the water tank, excess water remains in the appliance. To drain this excess water please follow the below steps.
- ◆ Place a suitable receptacle on the floor in which to drain the excess water.
- ◆ The drain is located at the join of the base and main body of the appliance.
- ◆ Lift the appliance and gently tip forwards over the receptacle to an angle of 60-80 degrees to allow the water to drain.
- ◆ Dispose of the excess water.

Water tank filling (FIG.4)

- ◆ Remove the water tank. (Figure 4.1)
- ◆ Unscrew the black cap on the underside. (Figure 4.2)
- ◆ Fill with water and screw the cap back on. (Figure 4.3)

CLEANING

- ◆ Disconnect the appliance from the mains and allow it to cool before undertaking any cleaning task.
- ◆ Um der Bildung von Kalk, Algen und Bakterien vorzubeugen, reinigen Sie den Wassertank und Teile des Geräts, die mit stehendem Wasser in Berührung kommen, alle 3 Tage.
- ◆ Reinigen Sie den Wassertank und Teile des Geräts, die mit stehendem Wasser in Berührung kommen, mit frischem Leitungswasser und einigen Tropfen Reinigungsmittel.
- ◆ Remove any scale, deposits, or film that has formed on the sides of the tank or on interior surfaces, and wipe all surfaces dry.
- ◆ Do not let water or any other liquid get into the air vents to avoid damage to the inner parts of the appliance.
- ◆ Never submerge the appliance in water or any other liquid or place it under running water.
- ◆ If the appliance is not in good condition of cleanliness, its surface may degrade and inexorably affect the duration of the appliance's useful life and could become unsafe to use.

ANOMALIES AND REPAIR

- ◆ Take the appliance to an authorised technical support service if product is damaged or other problems arise. Do not attempt to disassemble or repair the appliance yourself as this may be dangerous.

For EU product versions and/or in case that it is requested in your country: Ecology and recyclability of the product

- ◆ The materials of which the packaging of this appliance consists are included in a collection, classification and recycling system. Should you wish to dispose of them, use the appropriate public recycling bins for each type of material.
- ◆ The product does not contain concentrations of substances that could be considered harmful to the environment.



This symbol means that in case you wish to dispose of the product once its working life has ended; take it to an authorised waste agent for the selective collection of Waste from Electric and Electronic Equipment (WEEE).



This symbol means that product may include a battery or batteries; user must to remove them before disposing of the product. Remember that batteries must be disposed of in duly authorised containers. Do not dispose of them in fire.

The following information details the features related to ecodesign:

(EU) No 206/2012 + (EU) 2016-2282.

BXM75E	
Maximum fan flow rate (F)	41.6 m ³ /min
Fan power input (P)	42.0 W
Service value (SV) (according to IEC 60879)	1.0 (m ³ /min)/W
Standby power consumption (PSB)	0.3 W
Seasonal electricity consumption (Q)	13.8 kWh/a
Fan sound power level (LWA)	56 dB(A)
Maximum air velocity (c)	2.8 meters/sec

This appliance complies with Directive 2014/35/EU on Low Voltage, Directive 2014/30/EU on Electromagnetic Compatibility, Directive 2011/65/EU on the restrictions of the use of certain hazardous substances in electrical and electronic equipment and Directive 2009/125/EC on the ecodesign requirements for energy-related products.

WARRANTY AND TECHNICAL ASSISTANCE

This product enjoys the recognition and protection of the legal guarantee in accordance with current legislation. To enforce your rights or interests you must go to any of our official technical assistance services.

You can find the closest one by accessing the following web link: <http://www.2helpu.com/>.

You can also request related information, by contacting us (see the last page of the manual).

You can download this instruction manual and its updates at <http://www.2helpu.com/>.

VENTILATEUR NÉBULISEUR BXM75E

Cher Client:

Nous vous remercions d'avoir acheté un appareil BLACK+DECKER

Sa technologie, son design et sa fonctionnalité, s'ajoutant au fait qu'il répond amplement aux normes de qualité les plus strictes, vous permettront d'en obtenir une satisfaction longue et durable

CONSEILS ET MESURES DE SÉCURITÉ

- ◆ Lire attentivement cette notice d'instructions avant d'utiliser le Appareil, et la conserver pour la consulter ultérieurement. Le non-respect de ces instructions pourrait causer un accident.
- ◆ Cet appareil peut être utilisé par des personnes non familiarisées avec son fonctionnement, des personnes handicapées ou des enfants âgés de plus de 8 ans, et ce, sous la surveillance d'une personne responsable ou après avoir reçu la formation nécessaire sur le fonctionnement sûr de l'appareil et en comprenant les dangers qu'il comporte.
- ◆ Le nettoyage o l'entretien ne doit en aucun cas être effectué par des enfants sans surveillance.
- ◆ Cet appareil n'est pas un jouet. Les enfants doivent être surveillés afin de s'assurer qu'ils ne jouent pas avec l'appareil.
- ◆ Si le cordon d'alimentation est endommagé, il devra être remplacé par le fabricant, par un service après-vente agréé ou par tout professionnel qualifié afin d'écartier tout danger.
- ◆ Vérifier que l'appareil est débranché de la prise secteur avant de procéder à toute opération d'installation ou de montage.
- ◆ Débrancher l'appareil lorsqu'il n'est pas utilisé et avant toute tâche de nettoyage, d'entretien ou de remplissage.
- ◆ Vérifier que l'appareil est débranché de la prise secteur avant de procéder à retirer le protecteur.
- ◆ Cet appareil est uniquement destiné à un usage domestique et non professionnel ou industriel.
- ◆ Des niveaux élevés d'humidité peuvent favoriser la croissance d'organismes biologiques dans l'environnement.
- ◆ Empêcher à la zone autour de l'humidificateur de devenir humide ou mouillée. En cas d'humidité, réduire le débit de l'humidificateur. Si ce n'est pas possible, l'utiliser par intermittence. Ne pas laisser de matériaux absorbants tels que les tapis, les rideaux ou les nappes se mouiller.

- ◆ Débrancher l'appareil pour le remplir ou le nettoyer.
 - ◆ Ne pas laisser d'eau dans le réservoir lorsque l'appareil n'est pas utilisé.
 - ◆ Vider et nettoyer l'humidificateur avant ranger. Nettoyer l'humidificateur avant de l'utiliser à nouveau.
 - ◆ **AVERTISSEMENT** : Si l'eau n'est pas renouvelée, et que le réservoir n'est pas correctement nettoyé tous les 3 jours, les micro-organismes présents dans l'eau ou dans l'environnement où l'appareil est utilisé ou stocké, peuvent se reproduire à l'intérieure du réservoir d'eau et être expulsés dans l'air provoquant graves risques pour la santé.
 - ◆ Vider et remplir le réservoir avec de l'eau propre tous les trois jours. Avant de le remplir, nettoyer le réservoir et les autres parties de l'appareil en contact avec de l'eau stagnante avec de l'eau et quelques gouttes de détergent. Retirer tout dépôt de tartre ou de film formé sur les côtés du réservoir ou sur les surfaces intérieures et le sécher.
 - ◆ Avant de brancher l'appareil à la prise secteur, s'assurer que le voltage indiqué sur la plaque signalétique correspond à celui de la prise secteur.
 - ◆ Brancher l'appareil à une prise de courant supportant au moins 10 ampères.
 - ◆ La prise de courant du chargeur de batterie doit coïncider avec la base de la prise de courant. Ne pas modifier la prise de courant. Ne pas utiliser d'adaptateur de prise de courant.
 - ◆ Poser l'appareil sur une surface horizontale, plane et stable, qui supporte son poids.
 - ◆ Afin d'éviter tout risque d'incendie, ne pas boucher totale ou partiellement l'entrée et la sortie d'air de l'appareil par des rideaux, vêtements, etc.
 - ◆ Ne pas utiliser l'appareil associé à un programmateur, à une minuterie ou tout autre dispositif connectant automatiquement l'appareil.
 - ◆ Ne pas utiliser l'appareil si son câble électrique ou sa prise sont endommagés..
 - ◆ Si le boîtier de l'appareil se brise, le débrancher immédiatement pour éviter tout choc électrique.
 - ◆ Ne pas utiliser l'appareil après une chute, en présence de signes visibles de dommages, ou en cas de fuite.
 - ◆ Ne pas forcer le câble. Ne jamais utiliser le câble électrique pour lever, transporter ou débrancher l'appareil.
 - ◆ N'enroulez pas le cordon autour de l'appareil.
 - ◆ Vérifier régulièrement l'état du câble. Les câbles endommagés ou emmêlés augmentent le risque de choc électrique.
 - ◆ Cet appareil n'est pas adéquat à un usage extérieur.
 - ◆ Le câble doit être examiné régulièrement et s'il est endommagé, l'appareil ne doit pas être utilisé.
 - ◆ Ne pas exposer l'appareil aux intempéries.
 - ◆ Ne pas toucher la fiche de l'appareil avec les mains mouillées.
 - ◆ Ne pas toucher les parties mobiles de l'appareil lorsqu'il est en marche.
 - ◆ Quand l'appareil est mis en marche, la température des surfaces accessibles peut être élevée.
- Utilisation et entretien :**
- ◆ Avant chaque utilisation, dérouler complètement le câble électrique de l'appareil.
 - ◆ Ne pas utiliser l'appareil si ses accessoires ne sont pas dûment assemblés.
 - ◆ Ne pas utiliser l'appareil si les accessoires installés présentent défauts. Les remplacer immédiatement.
 - ◆ Ne pas utiliser l'appareil si l'interrupteur marche/arrêt ne fonctionne pas.
 - ◆ Ne pas faire bouger l'appareil durant son fonctionnement
 - ◆ Ne pas utiliser l'appareil en position inclinée, ni le retourner.
 - ◆ Ne pas basculer l'appareil lorsqu'il est branché ou en utilisation.
 - ◆ Si l'appareil ne doit pas être utilisé pendant un certain temps, retirer les piles de la télécommande.
 - ◆ Conserver cet appareil hors de portée des enfants ou des personnes avec des capacités physiques, sensori-

elles ou mentales réduites ou présentant un manque d'expérience et de connaissances.

- ◆ Conserver l'appareil en lieu sec, non poussiéreux et à l'abri des rayons solaires.
- ◆ S'assurer les grilles de ventilation soient exemptes de poussières, saletés ou autres objets.
- ◆ Maintenir l'appareil en bon état. Vérifier que les parties mobiles ne sont pas désalignées ou entravées, qu'il n'y a pas de pièces cassées ou d'autres conditions qui pourraient affecter le bon fonctionnement de l'appareil.
- ◆ Ne laisser l'appareil sans surveillance lorsqu'il est branché. Cela permettra d'économiser de l'énergie et de prolonger la durée de vie utile.

Service :

- ◆ S'assurer que l'appareil soit contrôlé par du personnel spécialisé et que des pièces de rechange ou des accessoires d'origine soient utilisés.
- ◆ Ne pas tenter de procéder aux réparations ou de démonter l'appareil; cela implique des risques.
- ◆ **PRÉCAUTION** : Si l'appareil ne se nettoie pas conformément au mode d'emploi, il pourrait exister un risque d'incendie.
- ◆ Toute utilisation inappropriée ou contraire aux instructions d'utilisation annulera la garantie et responsabilité du fabricant.

DESCRIPTION

1. Anneau de protection
2. Anneau nébuliseur
3. Grille avant
4. Rondelle de serrage
5. Pales
6. Anneau de protection
7. Grille arrière
8. Tête/moteur du ventilateur
9. Tuyau de nébulisation
10. Vis de fixation
11. Carcasse
12. Base
13. 4 Roues
14. Rondelle de fixation de la base
15. Couvercle du réservoir d'eau

A Indicateur de minuterie (heures)

B Indicateur de mode vent « Repos »

C Indicateur de mode vent « Naturel »

D Indicateur de vitesse du vent « Moyenne » 2

E Indicateur de vitesse du vent « Faible » 1

F Indicateur de débit de brume « faible » 1

G Indicateur de mode de vent « Normal »

H Indicateur d'oscillation

I Indicateur de vitesse de vent « Fort » 3

J Voyant de la minuterie

K Indicateur de débit de brume « Moyen » 2

L Indicateur de débit de brume « Fort » 3

M Paramètres de débit de brume

O Allumage/Extinction

P Réglages du mode vent

Q Paramètres de vitesse du ventilateur

R Oscillation ON/OFF

S Paramètres de la minuterie ON/OFF

1.1 Brume activée/désactivée et paramètres de débit

1.2 Paramètres de vitesse du vent

1.3 Minuterie ON/OFF, 1-12 heures

1.4 Paramètres du mode vent

1.5 Ventilateur marche/arrêt

1.6 Oscillation ON/ OFF

INSTALLATION

- ◆ S'assurer d'avoir retiré le matériel d'emballage du produit.
- ◆ Vérifier que l'appareil est arrêté et débranché de la prise secteur avant de procéder à toute opération d'installation ou de montage.
- ◆ Ne pas retirer les pieds ni les roulettes de l'appareil.
- ◆ Veiller à bien niveler l'appareil.
- ◆ Ne pas couvrir ni obstruer aucune ouverture de l'appareil.
- ◆ La fiche doit être d'accès facile afin de pouvoir la débrancher en cas d'urgence.
- ◆ L'appareil doit être utilisé avec sa base montée.
- ◆ L'appareil doit fonctionner avec ses roues accouplées.

Instructions pour remplacer la pile de la télécommande (Fig. 3)

- ◆ Ne pas essayer de recharger des piles non rechargeables.
- ◆ Retirer les piles rechargeables de l'appareil pour les recharger.
- ◆ Ne pas mélanger des piles de différents types ou des piles neuves et usagées.

- ◆ Insérer les piles en respectant la polarité.
- ◆ Retirer les piles déchargées et les jeter de façon sécurisée.
- ◆ Si l'appareil ne doit pas être utilisé pendant une longue période, retirer les piles.
- ◆ Les bornes d'alimentation ne doivent pas être court-circuitées.
- ◆ Ouvrir le couvercle des piles de la télécommande et insérer deux piles AAA de 1,5 V (le côté avec le ressort est le pôle négatif). Les pôles positif et négatif de la pile doivent correspondre aux pôles positif et négatif de la télécommande.

Montage de la base :

- ◆ Pour monter la base, il suffit de placer l'appareil à l'envers.
- ◆ Accoupler la base au corps de l'appareil.
- ◆ Fixer la base avec la rondelle de retenue.
- ◆ Redresser l'appareil et vérifier le bon fixation des roulettes.

Montage des roues :

- ◆ Pour fixer les roues, retourner l'appareil.
- ◆ Insérer les 4 roues (13) dans les quatre trous.
- ◆ Retourner à nouveau l'appareil et vérifier que les roues fonctionnent correctement.

Montage de la grille et des pales (FIG.1 et 2):

- ◆ A) Retirer l'écrou des pales du ventilateur (4) et la rondelle de retenue de la grille (6) de la tête du ventilateur.
- ◆ B) Aligner la grille arrière (7) du ventilateur selon la position indiquée sur la plaque et serrer la rondelle de retenue (6) en la tournant vers la droite.
- ◆ C) Fixer les pales du ventilateur (5) à l'arbre du moteur, en s'assurant que la goupille sur l'arbre du moteur soit alignée avec la fente dans la pale du ventilateur, et serrer la rondelle de retenue des pales du ventilateur (4) vers la droite.
- ◆ D) Fixer l'anneau de protection (1) sur la grille arrière (7), puis assembler la grille avant (3) (l'anneau nébulisateur (2) sur la grille avant sera orienté vers le bas). Fixer avec les vis.

INSTRUCTIONS D'USAGE

Avant la première utilisation :

- ◆ S'assurer d'avoir retiré le matériel d'emballage du produit.

- ◆ Préparer l'appareil pour la fonction que vous souhaitez réaliser :

Utilisation :

- ◆ Attention : Des précautions doivent être prises pour éviter les déversements lors du déplacement de l'appareil.
- ◆ Dérouler complètement le câble avant de le brancher.
- ◆ Connecter l'appareil au secteur.
- ◆ Placer l'appareil pour diriger le flux d'air vers la direction désirée.
- ◆ Mettre l'appareil en marche en actionnant le bouton on/off.
- ◆ Sélectionner la fonction.
- ◆ Sélectionner la puissance.
- ◆ Sélectionner la vitesse.

Fonction Ventilateur :

- ◆ Sélectionner la fonction ventilation.
- ◆ Sélectionner la vitesse de ventilation.

Fonction temporisateur :

- ◆ Il est possible de contrôler la durée de fonctionnement de l'appareil.
- ◆ Programmer la durée de fonctionnement en la avec les boutons (1.3) ou (S).
- ◆ Il est possible de sélectionner une durée entre 1 et 12 heures
- ◆ En appuyant sur le bouton de minuterie « Timer » avec le ventilateur allumé, l'écran affichera le temps restant.
- ◆ La durée programmée ou le temps restant s'affichera sur l'écran (A).
- ◆ Après avoir sélectionné l'heure, l'appareil s'éteindra automatiquement.

Fonction oscillation :

- ◆ La fonction oscillation permet de diriger le flux d'air qui sort de l'appareil pour couvrir de manière alternée et automatique un rayon de 75°
- ◆ Pour activer cette fonction, appuyer sur le bouton ON/OFF d'oscillation (R) ou (1.6).
- ◆ Pour la désactiver, appuyer à nouveau sur le bouton ON/OFF de la fonction oscillation (R) ou (1.6).
- ◆ MODES
- ◆ Pour régler le mode vent (normal, repos, naturel), appuyer sur le bouton « Wind Mode » (P) ou (1.4).
- ◆ Lors du premier allumage de l'appareil, le mode normal sélectionné par défaut s'affichera.
- ◆ Le mode Naturel crée des modèles de vent variables qui simulent le vent d'extérieur.

- ◆ Le mode Repos crée des modèles de vent identiques au mode naturel.
- ◆ Toutefois, lorsque le ventilateur est réglé sur une vitesse moyenne ou élevée, le modèle descendra d'un niveau de vitesse après environ 30 minutes.
- ◆ Refroidissement par brume ultrasonique
- ◆ Pour activer la brume ultrasonique, appuyez sur le bouton « M ». Sélectionner le débit de brumisation (faible, moyen et élevé) en appuyant plusieurs fois sur le bouton.

Après l'utilisation de l'appareil :

- ◆ Éteindre l'appareil en appuyant sur l'interrupteur de marche/arrêt (O).
- ◆ Débrancher l'appareil.
- ◆ Placer le câble dans son emplacement.
- ◆ Nettoyer l'appareil.

Comment vidanger l'excès d'eau

- ◆ Attention : des précautions doivent être prises lors de la vidange de l'excès d'eau pour éviter tout déversement inutile. Videz toujours l'excès d'eau dans un espace où les dégâts d'eau dans les zones environnantes ne sont pas possibles.
- ◆ Lors du retrait du réservoir d'eau, l'excès d'eau reste dans l'appareil. Pour vidanger cet excès d'eau, veuillez suivre les étapes ci-dessous.
- ◆ Placer un récipient adapté sur le sol dans lequel évacuer l'excédent d'eau.
- ◆ La vidange est située à la jonction de la base et du corps principal de l'appareil.
- ◆ Soulevez l'appareil et basculez-le doucement vers l'avant au-dessus du récipient à un angle de 60 à 80 degrés pour permettre à l'eau de s'écouler.
- ◆ Jeter l'excédent d'eau.

Remplir le réservoir d'eau (FIG.4)

- ◆ Retirez le réservoir d'eau. (Fig. 4.1)
- ◆ Dévissez le capuchon noir sur la face inférieure. (Fig. 4.2)
- ◆ Remplir d'eau et revisser le bouchon. (Fig. 4.3)

NETTOYAGE

- ◆ Débrancher l'appareil et attendre son refroidissement complet avant de le nettoyer.
- ◆ Pour éviter la formation de tartre, les algues et les bactéries nettoient le réservoir d'eau et les parties de l'appareil qui sont en contact avec de l'eau stagnante

tous les 3 jours.

- ◆ Nettoyez le réservoir d'eau et les parties de l'appareil qui sont en contact avec de l'eau stagnante avec de l'eau fraîche du robinet et quelques gouttes de détergent de nettoyage
- ◆ Retirer tout dépôt de tartre ou de film formés sur les côtés du réservoir ou sur les surfaces intérieures, et le sécher.
- ◆ Ne pas laisser pénétrer de l'eau ni aucun autre liquide par les ouvertures de ventilation afin d'éviter d'endommager les parties intérieures de l'appareil.
- ◆ Ne pas immerger l'appareil dans l'eau ou tout autre liquide ni le passer sous un robinet.
- ◆ Un entretien incorrect peut dégrader la surface de l'appareil, raccourcir sa durée de vie et même provoquer des situations dangereuses.

ANOMALIES ET RÉPARATION

- ◆ En cas de panne ou autres problèmes, confier l'appareil à un service d'assistance technique agréé. Ne pas essayer de démonter ou de réparer l'appareil, cela pourrait être dangereux.

Pour les produits de l'Union européenne et/ou conformément à la réglementation en vigueur de votre pays d'origine :

Écologie et recyclage du produit :

- ◆ Les matériaux d'emballage de l'appareil font partie d'un système de collecte, classement et recyclage de l'emballage. Si vous souhaitez vous défaire du produit, merci de bien vouloir utiliser les conteneurs publics appropriés à chaque type de matériau.
- ◆ Le produit ne contient pas de substances concentrées susceptibles d'être considérées comme nuisibles à l'environnement.



Si vous souhaitez vous débarrasser du produit, une fois hors d'usage, vous devez le remettre à un gestionnaire de déchets autorisé pour la collecte séparée des Déchets des Appareils Électriques et Électroniques (DAEE).



Ce symbole signifie que le produit peut disposer de piles ou de batteries, que vous devez retirer avant de vous défaire du produit. Les piles/batteries doivent être déposées dans des conteneurs spéciaux autorisés. Ne pas les jeter au feu.

Les informations suivantes fournissent les caractéristiques liées à l'écoconception :
(EU) N° 206/2012 + (EU) 2016-2282.

BXM75E	
Débit maximum de ventilation (F)	41,6 m ³ /min
Puissance de l'entrée ventilateur (P)	42,0W
Valeur de service (SV) (selon la norme CEI 60879)	1,0 (m ³ /min)/W
Consommation en mode veille (PSB)	0,3W
Consommation auxiliaire d'électricité (Q)	13,8 kWh/ a
Niveau de puissance sonore du ventilateur (L _{WA})	56 dB(A)
Vitesse maximum de l'air (c)	2,8 m/s

Cet appareil est certifié conforme à la directive 2014/35/EU de basse tension, de même qu'à la directive 2014/30/EU en matière de compatibilité électromagnétique, à la directive 2011/65/EU relative à la limitation de l'utilisation de certaines substances dangereuses dans les équipements électriques et électroniques et à la directive 2009/125/EC sur les conditions de conception écologique applicable aux produits en rapport avec l'énergie.

GARANTIE ET ASSISTANCE TECHNIQUE

Ce produit est reconnu et protégé par la garantie établie conformément à la législation en vigueur.

Pour faire valoir vos droits ou intérêts, vous devez vous adresser à l'un de nos services d'assistance technique agréés.

Pour savoir lequel est le plus proche, vous pouvez accéder au lien suivant : <http://www.2helpu.com/>

Vous pouvez aussi nous contacter pour toute information (veuillez consulter la dernière page du manuel).

Vous pouvez télécharger ce manuel d'instructions et ses mises à jour sur <http://www.2helpu.com/>

VENTILATOR MIT ZERSTÄUBER BXMF75E

Sehr geehrte Kundin:

Wir danken Ihnen für Ihre Entscheidung, ein BLACK+DECKER Gerät zu kaufen.

Die Technologie, das Design und die Funktionalität dieses Produkts, das die anspruchsvollsten Qualitätsnormen erfüllt, werden Sie über viele Jahre zufriedenstellen.

RATSchLÄGE UND SICHERHEITSHINWEISE

- ◆ Lesen Sie die Gebrauchsanweisung sorgfältig, bevor Sie das Gerät einschalten und bewahren Sie sie zum Nachschlagen zu einem späteren Zeitpunkt auf. Bei Nichtbeachtung dieser Hinweise kann es zu Unfällen kommen.
- ◆ Kinder ab 8 Jahren dürfen das Gerät nur unter Aufsicht oder Anleitung über den sicheren Gebrauch des Gerätes benutzen, so dass sie die Gefahren, die von diesem Gerät ausgehen, verstehen
- ◆ Kinder dürfen die Reinigung und Pflege des Geräts nur unter Aufsicht vornehmen.
- ◆ Dieses Gerät ist kein Spielzeug. Sicherstellen, dass Kinder nicht mit dem Gerät spielen.
- ◆ Sollte das Netzkabel beschädigt sein, darf es vorsichtshalber nur vom Hersteller, Kundendienst oder ähnlichem Fachpersonal ausgetauscht werden.
- ◆ Vergewissern Sie sich, dass der Netzanschluss des Geräts unterbrochen ist, bevor Sie Installations- oder Montagetätigkeiten vornehmen.
- ◆ Wenn das Gerät nicht benutzt wird, sowie vor der Durchführung von Reinigungs-, Instandhaltungs- oder Auffüll Tätigkeiten unterbrechen Sie bitte den Netzanschluss des Geräts.
- ◆ Vergewissern Sie sich, dass der Lüfter nicht eingesteckt ist, bevor Sie die Lüfterhaube entfernen.
- ◆ Dieser Apparat dient ausschließlich für Haushaltszwecke und ist für professionellen oder gewerblichen Gebrauch nicht geeignet.
- ◆ Eine hohe Luftfeuchtigkeit kann das Wachstum von biologischen Organismen in der Umgebung fördern.
- ◆ Verhindern Sie, dass der Bereich um den Luftbefeuchter feucht oder nass wird. Verringern Sie bei hoher Luftfeuchtigkeit die Durchflussmenge des Luftbefeuchters. Wenn dies nicht möglich ist, verwenden Sie das Gerät mit Unterbrechungen. Achten Sie darauf, dass saugfähige Materialien wie Teppiche, Vorhänge oder Tischdecken nicht feucht werden.
- ◆ Ziehen Sie zum Befüllen und Reini-

gen des Geräts den Netzstecker.

- ◆ Lassen Sie kein Wasser im Tank, wenn das Gerät nicht in Betrieb ist.
- ◆ Entleeren und reinigen Sie den Luftbefeuchter vor der Lagerung. Reinigen Sie den Luftbefeuchter, bevor Sie ihn wieder benutzen.
- ◆ **WARNUNG:** Wenn das Wasser nicht erneuert und der Tank nicht alle 3 Tage ordnungsgemäß gereinigt wird, können sich Mikroorganismen, die im Wasser oder in der Umgebung, in der das Gerät benutzt oder gelagert wird, vorhanden sind, im Wassertank vermehren und in die Luft ausgestoßen werden, was zu ernsthaften Gesundheitsrisiken führen kann.
- ◆ Leeren Sie den Tank und füllen Sie ihn alle drei Tage mit sauberem Wasser auf. Reinigen Sie den Tank und andere Teile des Geräts, die mit stehendem Wasser in Berührung kommen, mit ihm vor dem Nachfüllen mit Wasser und ein paar Tropfen Spülmittel. Entfernen Sie eventuelle Kalkablagerungen oder Filme, die sich an den Seiten des Tanks oder an den Innenflächen gebildet haben, und trocknen Sie sie.
- ◆ Vergewissern Sie sich, dass die Spannung auf dem Typenschild mit der Netzspannung übereinstimmt, bevor Sie den Apparat an das Stromnetz anschließen.
- ◆ Schließen Sie das Gerät an eine Steckdose an, die mindestens 10 Ampere aushalten kann.
- ◆ Der Netzstecker des Batterieladegerätes ist in eine ent-

sprechende Steckdose zu stecken. Ändern Sie niemals die Steckdose ab. Keine Adapter für den Stecker verwenden.

- ◆ Das Gerät auf eine waagerechte, flache und stabile Fläche stellen.
- ◆ Vergewissern Sie sich, dass weder der Lufteinlass noch der Luftauslass ganz oder teilweise durch Vorhänge, Kleidung usw. verdeckt sind, da dies die Brandgefahr erhöht.
- ◆ Dieses Gerät nicht über einen Programmschalter, eine externe Zeitschaltuhr oder eine sonstige Vorrichtung betreiben.
- ◆ Das Gerät darf nicht mit beschädigtem elektrischem Kabel oder Stecker verwendet werden..
- ◆ Sollte eines der Gehäuse des Geräts brechen, trennen Sie das Gerät sofort vom Stromnetz, um mögliche Stromschläge zu vermeiden.
- ◆ Das Gerät nicht benutzen, wenn es heruntergefallen ist, sichtbare Schäden aufweist oder undicht ist.
- ◆ Dabei nicht am Kabel ziehen. Benutzen Sie das elektrische Kabel nicht zum Anheben oder Transportieren des Geräts. Den Stecker nicht am Kabel aus der Dose ziehen.
- ◆ Kabel nicht um das Gerät wickeln.
- ◆ Überprüfen Sie regelmäßig den Zustand des Kabels. Beschädigte oder verwickelte Kabel erhöhen das Risiko von elektrischen Schlägen.
- ◆ Dieses Gerät ist nicht für den Gebrauch im Freien geeignet.
- ◆ Das Netzkabel ist regelmäßig auf Schäden zu prüfen. Bei beschädigtem Kabel darf das Gerät nicht verwendet werden.
- ◆ Das Gerät nicht im Freien benutzen oder aufbewahren.
- ◆ Berühren Sie den Stecker nicht mit feuchten Händen.
- ◆ Berühren Sie nicht die beweglichen Teile des Geräts, während es in Betrieb ist.
- ◆ Die zugänglichen Oberflächen können sehr heiß werden, während das Gerät in Betrieb ist.

BENUTZUNG UND PFLEGE:

- ◆ Vor jedem Gebrauch des Geräts das Stromkabel vollständig abwickeln.
- ◆ Gerät nicht benutzen, wenn Zubehör oder Ersatzteile nicht richtig befestigt sind.
- ◆ Gerät nicht benutzen, wenn die Zubehörteile mangelhaft sind. Ersetzen Sie sie sofort.
- ◆ Das Gerät nicht verwenden, wenn der An-/Ausschalter nicht funktioniert.
- ◆ Das Gerät nicht bewegen, während es in Betrieb ist.
- ◆ Verwenden Sie das Gerät nicht im gekippten oder um-

gedrehten Zustand.

- ◆ Kippen Sie das Gerät nicht um, wenn es in Betrieb oder eingesteckt ist.
- ◆ Wenn das Gerät längere Zeit nicht benutzt werden soll, nehmen Sie die Batterien aus der Fernbedienung.
- ◆ Dieses Gerät darf nicht von Kindern und/ oder Personen mit eingeschränkten körperlichen, sensorischen oder geistigen Fähigkeiten bzw. ohne ausreichende Erfahrung und Kenntnisse verwendet werden.
- ◆ Das Gerät an einem trockenen, staubfreien und vor Sonnenlicht geschützten Ort aufbewahren.
- ◆ Überprüfen Sie, dass das Gitter des Geräts nicht mit Staub, Schmutz oder anderen Substanzen verstopft ist.
- ◆ Pflegen Sie Elektrowerkzeuge mit Sorgfalt. Überprüfen Sie, ob die beweglichen Teile nicht ausgerichtet oder verklemt sind, ob beschädigte Teile oder andere Bedingungen vorliegen, die den Betrieb des Geräts allenfalls behindern können.
- ◆ Das Gerät nie am Stromnetz angeschlossen und ohne Aufsicht lassen. Dadurch wird Energie gespart und die Lebensdauer verlängert.

Bedienung:

- ◆ Stellen Sie sicher, dass das Gerät von qualifiziertem Personal gewartet wird und dass Originalersatzteile oder -zubehör verwendet werden.
- ◆ Um Gefahren zu vermeiden, versuchen Sie nicht, das Gerät zu zerlegen oder zu reparieren.
- ◆ ACHTUNG: Wenn das Gerät nicht gemäß diesen Anleitungen gereinigt wird, kann ein Brandrisiko entstehen.
- ◆ Bei unsachgemäßer Verwendung bzw. Nichteinhaltung der Gebrauchsanweisung erlöschen der Garantieanspruch sowie die Haftung des Herstellers.

BEZEICHNUNG

1. Schutzring
2. Nebelring
3. Vorderes Gitter
4. Sicherungsscheibe
5. Rotorblätter
6. Schutzring
7. Hintergitter
8. Lüfterkopf/Motor
9. Vernebelungsschlauch
10. Befestigungsschraube
11. Gehäuse
12. Sockel
13. 4 Rollen

14. Basis-Haltescheibe

15. Deckel des Frischwasserbehälters

A Timer-Anzeige (Stunden)

B Windmodusanzeige "Leerlauf"

C Windmodusanzeige "Natürlich"

D Windgeschwindigkeitsanzeige "Mittel" 2

E Windgeschwindigkeitsanzeige "Niedrig" 1

F Nebeldurchflussanzeige "Niedrig" 1

G Windmodusanzeige "Normal" 1

H Oszillationsindikator

I Windgeschwindigkeitsanzeige "Hoch" 3

J Timer-Lichtanzeige

K Nebeldurchflussanzeige "Mittel" 1

L Nebeldurchflussanzeige "Stark" 3

M Nebeldurchflusseinstellungen

O Ein/Aus

P Windmodus-Einstellungen

Q Einstellung der Lüftergeschwindigkeit

R Oszillation ON/ OFF

S Timer ON/OFF Einstellungen

1.1 Einstellungen für Nebel EIN/AUS und Durchflussmenge

1.2 Einstellungen der Windgeschwindigkeit

1.3 Zeitschaltuhr ON/OFF, 1-12 Stunden

1.4 Einstellungen des Windmodus

1.5 Gebläse ein/aus

1.6 Oszillation EIN/AUS 1,6. ON/OFF-Schalter

AUFSTELLUNG

- ◆ Vergewissern Sie sich, dass Sie das gesamte Verpackungsmaterial des Produkts entfernt haben.
- ◆ Vergewissern Sie sich, dass der Netzanschluss des Geräts unterbrochen ist, bevor Sie Installations- oder Montagetätigkeiten vornehmen.
- ◆ Entfernen Sie weder die Füße noch die Räder des Geräts.
- ◆ Überprüfen Sie, ob das Gerät gerade steht.
- ◆ Bedecken und behindern Sie nicht die Öffnungen des Geräts.
- ◆ Der Stecker muss leicht erreichbar sein, um ihn im Notfall aus der Steckdose ziehen zu können.
- ◆ Das Gerät nur mit befestigtem Sockel in Betrieb setzen.
- ◆ Das Gerät muss mit montierten Rädern verwendet werden.

Anleitung zum Auswechseln der Batterie in der Fernbedienung (Abb. 3)

- ◆ Versuchen Sie nicht, nicht wiederaufladbare Batterien aufzuladen.
- ◆ Nehmen Sie die wiederaufladbaren Batterien aus dem Gerät, um sie aufzuladen.
- ◆ Vermischen Sie keine Batterien unterschiedlichen Typs oder neue und gebrauchte Batterien.
- ◆ Legen Sie die Batterien mit der richtigen Polarität ein.
- ◆ Entfernen Sie verbrauchte Batterien und entsorgen Sie sie sicher.
- ◆ Wenn das Gerät über einen längeren Zeitraum nicht benutzt wird, nehmen Sie die Batterien heraus.
- ◆ Die Stromversorgungsklemmen dürfen nicht kurzgeschlossen werden.
- ◆ Öffnen Sie den Batteriefachdeckel der Fernbedienung und legen Sie zwei 1,5 V AAA-Batterien ein (die Seite mit der Feder entspricht dem Minuspol). Die Plus- und Minuspole der Batterie müssen mit den Plus- und Minuspole der Fernbedienung übereinstimmen.

Montage des Unterteils:

- ◆ Zum Aufbauen des Unterteils ist das Gerät auf den Kopf zu stellen.
- ◆ Setzen Sie das Unterteil auf das Gerätegehäuse auf.
- ◆ Sichern Sie den Sockel mit der Unterlegscheibe.
- ◆ Richten Sie das Gerät auf und prüfen Sie, ob die Räder richtig funktionieren.

Einsetzen der Rollen:

- ◆ Stellen Sie das Gerät umgekehrt auf, um die Rollen und stellen Sie.
- ◆ Setzen Sie die 4 Räder (13) in die vier Löcher ein.
- ◆ Bringen Sie das Gerät wieder in die aufrechte Position und überprüfen Sie die Funktionstüchtigkeit der Räder.

Montage der Gitter und Rotorblätter (FIG. 1 und 2):

- ◆ A) Entfernen Sie die Lüfterflügelmutter (4) und die Haltescheibe des Gitters (6) vom Lüfterkopf.
- ◆ B) Richten Sie das hintere Gitter (7) des Lüfters entsprechend der auf dem Schild angegebenen Position aus und ziehen Sie die Haltescheibe (6) im Uhrzeigersinn fest.
- ◆ C) Befestigen Sie die Lüfterflügel (5) an der Motorwelle und stellen Sie dabei sicher, dass der Motorwellenstift mit der Nut im Lüfterflügel ausgerichtet ist, und ziehen Sie die Lüfterflügel-Haltescheibe (4) gegen den Uhr-

zeigersinn fest.

- ◆ D) Befestigen Sie den Schutzring (1) am hinteren Gitter (7) und montieren Sie dann das vordere Gitter (3) (der Nebelring (2) des vorderen Gitters zeigt nach unten). Mit den Schrauben befestigen.

GEBRAUCHSANWEISUNG

Vor dem ersten Gebrauch:

- ◆ Vergewissern Sie sich, dass Sie das Verpackungsmaterial des Produkts entfernt haben.
- ◆ Das Gerät für die von Ihnen bestimmte Funktion vorbereiten:

Benutzung:

- ◆ Achtung: Achten Sie darauf, beim Bewegen des Geräts kein Verschütten zu vermeiden. Vor Anschluss das Kabel völlig ausrollen.
- ◆ Schließen Sie das Gerät an das Stromnetz an.
- ◆ Das Gerät richtig positionieren, um den Luftstrom in die gewünschte Richtung zu lenken.
- ◆ Stellen Sie das Gerät an, indem Sie den on/off Schalter betätigen.
- ◆ Wählen Sie die Funktion.
- ◆ Wählen Sie die Leistung.
- ◆ Wählen Sie die Geschwindigkeit.

Ventilator-Funktion:

- ◆ Wählen Sie die Ventilatorfunktion.
- ◆ Wählen Sie die Lüftergeschwindigkeit.

Timer-Funktion:

- ◆ Es ist möglich, die Betriebszeit des Gerätes zu kontrollieren.
- ◆ Stellen Sie die Betriebszeit mit den Tasten (1.3) oder durch Auswahl von (S) ein.
- ◆ Sie können zwischen 1 und 12 Stunden wählen
- ◆ Wenn Sie bei eingeschaltetem Gebläse die Taste "Timer" drücken, wird auf dem Display die verbleibende Zeit angezeigt.
- ◆ Die eingestellte oder verbleibende Zeit wird auf dem Display (A) angezeigt.
- ◆ Nach der gewählten Zeit schaltet sich das Gerät automatisch aus.

Schwenkfunktion:

- ◆ Durch die Schwenkfunktion kann der Luftstrom, der aus

dem Gerät austritt, in die gewünschte Richtung geleitet werden. Der Schwenkbetrieb kann automatisch einen Radius bis 75° erreichen.

- ◆ Um diese Funktion zu aktivieren, drücken Sie die Taste Oszillation Ein/Aus (R) oder (1.6).
- ◆ Um sie zu deaktivieren, drücken Sie erneut die Taste Ein/Aus der Oszillationsfunktion (R) oder (1.6).
- ◆ WIEGEMODUS
 - ◆ Um den Windmodus (Normal, Leerlauf, Natürlich) einzustellen, drücken Sie die Taste "Windmodus" (P) oder (1.4).
 - ◆ Wenn das Gerät zum ersten Mal eingeschaltet wird, wird der standardmäßig ausgewählte Normalmodus angezeigt.
 - ◆ Der Modus Natürlich erzeugt variable Windmuster, die den Wind im Freien simulieren.
 - ◆ Der Schlafmodus erzeugt die gleichen Windmuster wie der natürliche Modus.
 - ◆ Wenn das Gebläse jedoch auf mittlere oder hohe Geschwindigkeit eingestellt ist, fällt das Muster nach etwa 30 Minuten um eine Geschwindigkeitsstufe ab.
 - ◆ Kühlung mit Ultraschallnebel
 - ◆ Um den Ultraschallnebel zu aktivieren, drücken Sie die Taste "M". Wählen Sie die Nebelmenge (niedrig, mittel und hoch) durch mehrmaliges Drücken der Taste.

Nach der Benutzung des Geräts:

- ◆ Schalten Sie das Gerät mit dem Ein/Aus-Schalter aus (O).
- ◆ Gerät vom Netz trennen.
- ◆ Rollen Sie das Netzkabel im Kabelfach auf.
- ◆ Reinigen Sie das Gerät.

So lassen Sie überschüssiges Wasser ab

- ◆ Achtung: Beim Ablassen von überschüssigem Wasser ist Vorsicht geboten, um unnötiges Verschütten zu vermeiden. Lassen Sie überschüssiges Wasser immer an einem Ort ab, an dem keine Wasserschäden an umliegenden Bereichen möglich sind.
- ◆ Beim Entfernen des Wassertanks verbleibt überschüssiges Wasser im Gerät. Um dieses überschüssige Wasser abzulassen, befolgen Sie bitte die folgenden Schritte.
- ◆ Stellen Sie einen geeigneten Behälter auf den Boden, um überschüssiges Wasser abzulassen.
- ◆ Der Abfluss befindet sich an der Verbindung von Sockel und Hauptkörper des Geräts.
- ◆ Heben Sie das Gerät an und kippen Sie es vorsichtig in einem Winkel von 60-80 Grad nach vorne über den Behälter, damit das Wasser ablaufen kann.
- ◆ Entsorgen Sie das überschüssige Wasser.

Füllen des Wassertanks (Fig 4)

- ◆ Entfernen Sie den Wassertank. (Abb. 4.1)
- ◆ Schrauben Sie die schwarze Kappe an der Unterseite ab. (Abb. 4.2)
- ◆ Füllen Sie Wasser ein und schrauben Sie die Kappe wieder auf. (Abb. 4.3)

REINIGUNG

- ◆ Ziehen Sie den Stecker heraus und lassen Sie das Gerät abkühlen, bevor Sie mit der Reinigung beginnen.
- ◆ Reinigen Sie den Wassertank und die Wassereinheit einmal pro Woche, um die Bildung von Kalk, Algen oder Bakterien zu verhindern.
- ◆ Reinigen Sie den Tank mit Wasser und ein paar Tropfen Spülmittel.
- ◆ Entfernen Sie eventuelle Kalkablagerungen oder Filme, die sich an den Seiten des Tanks oder an den Innenflächen gebildet haben, und trocknen Sie sie.
- ◆ Lassen Sie kein Wasser oder andere Flüssigkeiten in die Belüftungsöffnungen eindringen, um Schäden an den inneren Funktionsteilen des Gerätes zu vermeiden.
- ◆ Das Gerät nicht in Wasser oder andere Flüssigkeiten tauchen und nicht unter den Wasserhahn halten.
- ◆ Eine unsachgemäße Reinigung kann die Oberfläche des Geräts beschädigen, seine Lebensdauer verkürzen und sogar zu gefährlichen Situationen führen.

STÖRUNGEN UND REPARATUR

- ◆ Bringen Sie das Gerät im Falle einer Störung zu einem zugelassenen technischen Wartungsdienst. Versuchen Sie nicht, das Gerät selbst auseinanderzubauen und zu reparieren. Dabei kann es zu Gefahrensituationen kommen.

Für Produkte der Europäischen Union und / oder falls vom Gesetz in Ihrem Herkunftsland vorgeschrieben:

Ökologie und Recycling des Produkts:

- ◆ Das Verpackungsmaterial dieses Geräts ist in ein Entsorgungs-, Klassifizierungs- und Recyclingsystem integriert. Wenn Sie diese entsorgen möchten, so können Sie die öffentlichen Container für die betreffenden Materialarten verwenden.
- ◆ Das Produkt ist frei von umweltschädlichen Konzentrationen von Substanzen.



Dieses Symbol bedeutet, dass Sie das Produkt am Ende seiner Nutzungsdauer bei einem zugelassenen Abfallentsorger zur getrennten

Sammlung von Elektro- und Elektronik-Altgeräten abgeben müssen, wenn Sie es entsorgen möchten.



Dieses Symbol bedeutet, dass das Produkt Batterien beinhalten kann, die vor der Entsorgung entnommen werden sollen.

Beachten Sie, dass die Batterien in dafür geeigneten Containern entsorgt werden sollen. Nicht ins Feuer werfen.

müssen Sie eines unserer offiziellen Servicezentren aufsuchen.

Über folgenden Link finden Sie ein Servicezentrum in Ihrer Nähe: <http://www.2helpu.com/>

Sie können auch Informationen anfordern, indem Sie sich mit uns in Verbindung setzen (siehe letzte Seite des Handbuchs).

Sie können dieses Benutzerhandbuch und seine Aktualisierungen unter <http://www.2helpu.com/>

Nachfolgende Information erläutert die Merkmale im Zusammenhang mit dem Ökodesign:

(EU) No 206/2012 + (EU) 2016-2282.

BXMF75E	
Maximaler Volumenstrom des Ventilators (F)	41,6 m ³ /min
Maximale Leistungsaufnahme des Ventilators (P)	42,0 W
Serviceverhältnis (SV) (nach IEC 60879)	1,0 (m ³ /min)/W
Leistungsaufnahme im Standby (PSB)	0,3 W
Hilfsstromverbrauch (Q)	13,8 kWh/ a
Schalleistungspegel des Ventilators (LWA)	56 dB(A)
Maximale Luftgeschwindigkeit (c)	2,8 m/s

Dieses Gerät erfüllt die Richtlinie 2014/35/EU über Niederspannung, die Richtlinie 2014/30/EU über elektromagnetische Verträglichkeit, die Richtlinie 2011/65/EU zur Beschränkung der Verwendung bestimmter gefährlicher Stoffe in Elektro- und Elektronikgeräten und die Richtlinie 2009/125/EC über die Anforderungen an die umweltgerechte Gestaltung energiebetriebener Produkte.

GARANTIE UND TECHNISCHER SERVICE

Dieses Produkt ist von der gesetzlichen Garantie gemäss der geltenden Gesetzgebung geschützt.

Um Ihre Rechte und Interessen geltend zu machen,

VENTILATORE NEBULIZZATORE BXMF75E

Egregio cliente,

Le siamo grati per aver acquistato un prodotto della marca BLACK+DECKER

La sua tecnologia, il suo design e la sua funzionalità, oltre al fatto di aver superato le più rigorose norme di qualità, le assicureranno una totale soddisfazione durante molto tempo.

CONSIGLI E AVVERTENZE PER LA SICUREZZA

- ◆ Prima di utilizzare l'apparecchio, leggere attentamente le istruzioni riportate nel presente opuscolo e conservarlo per future consultazioni. La non osservanza di queste semplici norme potrebbe provocare incidenti.
- ◆ Questo apparato può essere utilizzato da persone che non ne conoscono il funzionamento, persone disabili o bambini di età superiore agli 8 anni, esclusivamente sotto la sorveglianza di un adulto o nel caso abbiano ricevuto le istruzioni per un suo uso in tutta sicurezza e ne comprendano i rischi.
- ◆ Non permettere che i bambini eseguano pulizia o manutenzione senza supervisione.
- ◆ Questo apparecchio non è un giocattolo. Tenere d'occhio che i bambini non giochino con l'apparecchio.
- ◆ Se il cavo di alimentazione è danneggiato, deve essere sostituito dal fabbricante, dal servizio di assistenza tecnica o da personale qualificato, per evitare danni.
- ◆ Controllare che l'apparecchio sia scollegato dalla rete elettrica, prima di iniziare qualsiasi operazione di montaggio o installazione.
- ◆ Scollegare la spina dalla presa di corrente quando l'apparecchio non è in uso e prima di eseguire qualsiasi operazione di pulizia, di manutenzione o di riempimento.
- ◆ Verificare che il ventilatore sia scollegato, prima di rimuovere il protettore.
- ◆ Questo apparecchio è destinato unicamente all'uso domestico, non professionale o industriale.
- ◆ Alti livelli di umidità possono favorire la crescita di organismi biologici nell'ambiente.
- ◆ Evitare che la zona attorno all'umidificatore si inumidisca o si bagni. In caso di umidità, ridurre la potenza dell'umidificatore. Se non fosse possibile, utilizzarlo a intermittenza. Non consentire che si inumidiscano i materiali assorbenti, come tappeti, tende o tovaglie.
- ◆ Scollegare l'apparecchio per il riempimento e la pulizia.

- ◆ Non lasciare acqua nel serbatoio quando l'apparecchio non è in uso.
- ◆ Svuotare e pulire il serbatoio dell'acqua prima di riporre l'apparecchio. Pulire l'umidificatore prima di riutilizzarlo.
- ◆ **AVVERTIMENTO:** Se non si rinnova l'acqua e il serbatoio non viene pulito adeguatamente ogni 3 giorni, i microorganismi presenti nell'acqua stessa o nell'ambiente in cui si utilizza o ripone l'apparecchio possono arrivare a riprodursi nel serbatoio dell'acqua e poi venire emessi nell'aria, con gravi rischi per la salute.
- ◆ Svuotare e riempire con acqua pulita il serbatoio ogni tre giorni. Prima di riempirlo nuovamente, pulire il serbatoio e le altre parti dell'apparecchio a contatto con acqua stagnante dell'acqua e alcune gocce di detergente. Eliminare qualsiasi deposito di calcare o qualsiasi pellicola che possa essersi formata nel serbatoio o sulle superfici interne e asciugare.
- ◆ Prima di collegare l'apparecchio verificare che la tensione indicata sulla targhetta caratteristiche corrisponda alla tensione della rete.
- ◆ Collegare l'apparecchio a una presa di corrente che sopporti minimo 10 ampere.
- ◆ La spina del caricabatterie deve coincidere con la base elettrica della presa di corrente. Non apportare alcuna modifica alla spina. Non usare adattatori a spina.
- ◆ Collocare l'apparecchio su una superficie liscia e stabile in grado di sostenere il suo peso.
- ◆ Controllare né l'entrata né l'uscita dell'aria siano completamente o parzialmente ostruite da tende, abiti, ecc., per non incrementare il rischio di incendio.
- ◆ Non collegare l'apparecchio a programmatori, timer o altri dispositivi che ne consentano il funzionamento automatico.
- ◆ Non utilizzare l'apparecchio se il cavo di alimentazione o la spina sono danneggiati..
- ◆ In caso di rottura di una parte dell'involucro esterno dell'apparecchio, scollegare immediatamente la spina dalla presa di corrente al fine di evitare eventuali scariche elettriche.
- ◆ Non usare l'apparecchio dopo cadute, nel caso presenti danni visibili o in presenza di qualsiasi perdita.
- ◆ Non scollegare tirando il cavo. Non usarlo mai per sollevare, trasportare o scollegare l'apparecchio.
- ◆ Non avvolgere il cavo intorno all'apparecchio.
- ◆ Verificare regolarmente lo stato del cavo. I cavi danneggiati o attorcigliati aumentano il rischio di scariche elettriche.
- ◆ Apparato non idoneo all'uso in ambienti esterni.
- ◆ Ispezionare regolarmente il cavo per individuare segni di danneggiamento, nel qual caso non è consentito l'utilizzo dell'apparecchio.
- ◆ Non usare o esporre l'apparecchio alle intemperie.
- ◆ Non toccare mai la spina con le mani bagnate.
- ◆ Non toccare mai le parti in movimento quando l'apparecchio è in funzione.
- ◆ Durante il funzionamento dell'apparecchio la temperatura delle superfici accessibili potrebbe arrivare ad essere elevata.

Uso e cura:

- ◆ Prima di ogni utilizzo, svolgere completamente il cavo dell'apparecchio.
- ◆ Non utilizzare l'apparecchio se gli accessori non sono correttamente montati.
- ◆ Non utilizzare l'apparecchio se gli accessori presentano difetti. Sostituirli immediatamente.
- ◆ Non utilizzare l'apparecchio se l'interruttore di accensione/spegnimento non funziona.
- ◆ Non muovere l'apparecchio durante l'uso.
- ◆ Non utilizzare l'apparecchio inclinato, né capovolgerlo.
- ◆ Non capovolgere l'apparecchio se è in funzione o collegato alla presa.
- ◆ Se l'apparecchio non si utilizza durante un lungo periodo, rimuovere le pile del telecomando.
- ◆ Riporre l'apparecchio fuori dalla portata di bambini e/o persone con problemi fisici, mentali o di sensibilità o con mancanza di esperienza nell'utilizzo dello stesso.

- ◆ Conservare l'apparecchio in luogo asciutto, lontano dalla polvere e dalla luce del sole.
- ◆ Accertarsi che le griglie di ventilazione non siano ostruite da polvere, sporcizia o altri oggetti.
- ◆ Mantenere l'apparecchio in buono stato. Verificare che le parti mobili siano ben fissate e che non rimangono incastrate, che non ci siano pezzi rotti e che non si verifichino altre situazioni che possano nuocere al buon funzionamento dell'apparecchio.
- ◆ Non lasciare l'apparecchio collegato alla rete elettrica e senza controllo. Si otterrà un risparmio energetico e si prolungherà la vita utile.

Servizio:

- ◆ Assicurarsi di far controllare l'apparecchio da personale specializzato e di utilizzare ricambi o accessori originali.
- ◆ Non tentare di smontare o riparare l'apparecchio per evitare rischi.
- ◆ **PRECAUZIONI:** Nel caso in cui la pulizia dell'apparecchio non sia stata eseguita in conformità a queste istruzioni, può esistere il rischio d'incendio.
- ◆ Il produttore invalida la garanzia e declina ogni responsabilità in caso di uso inappropriato o non conforme alle istruzioni d'uso dell'apparecchio.

DESCRIZIONE

1. Anello protettore
2. Anello nebulizzatore
3. Griglia anteriore
4. Rondella di supporto
5. Pale
6. Anello protettore
7. Griglia posteriore
8. Testa/motore del ventilatore
9. Tubo di nebulizzazione
10. Vite di fissaggio
11. Carcassa
12. Base
13. 4 Ruote
14. Rondella di fissaggio della base
15. Coperchio del serbatoio dell'acqua

- A Spia temporizzatore (ore)
- B Spia modalità vento "Riposo"
- C Spia modalità vento "Naturale"
- D Spia velocità vento "Media" 2
- E Spia velocità vento "Bassa" 1

- F Spia portata nebulizzazione "Bassa" 1
- G Spia modalità vento "Normale"
- H Spia oscillazione
- I Spia velocità vento "Forte" 3
- J Spia luminosa temporizzatore
- K Spia portata nebulizzazione "Media" 2
- L Spia portata nebulizzazione "Forte" 3
- M Regolazione portata nebulizzazione
- O Accensione/spegnimento
- P Regolazione modalità vento
- Q Regolazione velocità del ventilatore
- R Oscillazione ON / OFF
- S Regolazione temporizzatore ON/OFF

- 1.1 Attivazione/disattivazione nebulizzazione e regolazione portata
- 1.2 Regolazione velocità del vento
- 1.3 Temporizzatore ON/OFF, 1-12 ore
- 1.4 Regolazione modalità vento
- 1.5 Ventilatore accensione/spegnimento
- 1.6 Oscillazione ON/ OFF

INSTALLAZIONE

- ◆ Accertarsi di aver tolto il materiale d'imballaggio dall'apparecchio.
- ◆ Controllare che l'apparecchio sia scollegato dalla rete elettrica, prima di iniziare qualsiasi operazione di montaggio o installazione.
- ◆ Non togliere i piedini né le ruote dell'apparecchio.
- ◆ Verificare che l'apparecchio sia livellato.
- ◆ Non coprire né ostruire le aperture dell'apparecchio.
- ◆ La spina deve essere facilmente accessibile, per poterla scollegare in caso di emergenza.
- ◆ L'apparecchio deve funzionare solo accoppiato alla sua base.
- ◆ L'apparecchio deve funzionare solo se montato sulle sue ruote.

Istruzioni per sostituire la pila del telecomando (Fig- 3)

- ◆ Non tentare di caricare le pile non ricaricabili.
- ◆ Rimuovere le pile ricaricabili dall'apparecchio per caricarle.
- ◆ Non usare contemporaneamente pile di diversi tipi né pile nuove e usate.

- ◆ Posizionare le pile rispettando la corretta polarità.
- ◆ Rimuovere le pile esaurite e smaltirle in sicurezza.
- ◆ Se non si prevede di usare l'apparecchio per un lungo periodo di tempo, rimuovere le pile.
- ◆ I terminali di alimentazione non devono essere cortocircuitati.
- ◆ Aprire il coperchio delle pile del telecomando e posizionare due pile AAA da 1,5 V (il lato con la molla corrisponde al polo negativo). I poli positivo e negativo della pila devono coincidere con i poli positivo e negativo del telecomando.

Montaggio della base:

- ◆ Per montare la base, capovolgere l'apparecchio.
- ◆ Collocare la base del corpo dell'apparecchio.
- ◆ Fissare la base con la rondella di fissaggio.
- ◆ Raddrizzare l'apparecchio e verificare il corretto fissaggio della base.

Montaggio delle ruote:

- ◆ Per montare le ruote, capovolgere l'apparecchio.
- ◆ Inserire le 4 ruote (13) nei quattro fori.
- ◆ Riposizionare l'apparecchio in verticale e verificare il corretto funzionamento delle ruote.

Montaggio della griglia e delle pale (FIG. 1 e 2):

- ◆ A) Rimuovere il bullone delle pale del ventilatore (4) e la rondella di fissaggio della griglia (6) della testa del ventilatore.
- ◆ B) Allineare la griglia posteriore (7) del ventilatore in base alla posizione indicata sulla lamiera e stringere la rondella di fissaggio (6) girandola in senso orario.
- ◆ C) Unire le pale del ventilatore (5) all'asse del motore, verificando che il perno dell'asse del motore sia allineato con la scanalatura della pala del ventilatore e stringere la rondella di fissaggio della pala (4) girandola in senso antiorario.
- ◆ D) Fissare l'anello protettore (1) alla griglia posteriore (7) e poi assemblare la griglia anteriore (3) (l'anello nebulizzatore (2) della griglia anteriore è orientato verso il basso). Fissare con le viti.

ISTRUZIONI D'USO

Prima del primo utilizzo

- ◆ Assicurarsi di aver rimosso dal prodotto il materiale di imballaggio.

- ◆ Preparare l'apparecchio secondo la funzione che si desidera realizzare.

Uso:

- ◆ Attenzione: prestare attenzione per evitare fuoriuscite durante lo spostamento dell'apparecchio.
- ◆ Srotolare completamente il cavo prima di attaccare la spina.
- ◆ Collegare l'apparecchio alla rete elettrica.
- ◆ Orientare l'apparecchio per dirigere il flusso d'aria nella direzione desiderata.
- ◆ Avviare l'apparecchio azionando l'interruttore on/off.
- ◆ Selezionare la funzione.
- ◆ Selezionare la potenza.
- ◆ Selezionare la velocità.

Funzione Ventilatore:

- ◆ Selezione della funzione ventilazione.
- ◆ Selezione la velocità di ventilazione.

Funzione temporizzatore:

- ◆ È possibile controllare il tempo di funzionamento dell'apparecchio.
- ◆ Programmare il tempo di funzionamento, con i pulsanti (1,3) o selezionando (S).
- ◆ È possibile selezionare un tempo compreso tra 1 e 12 ore.
- ◆ Se si preme il pulsante "Timer" mentre è acceso il ventilatore, il display mostra il tempo rimanente.
- ◆ Il tempo programmato o il tempo rimanente saranno visualizzati sullo schermo (A).
- ◆ Quando si raggiunge l'ora desiderata, l'apparecchio si spegne automaticamente.

Funzione oscillazione:

- ◆ La funzione oscillazione permette di dirigere il flusso d'aria che esce dall'apparecchio affinché copra alternativamente e automaticamente un raggio massimo di 75°.
- ◆ Per attivare questa funzione, premere il pulsante on/off dell'oscillazione (R) o (1,6).
- ◆ Per disattivarla, premere nuovamente il pulsante on/off dell'oscillazione (R) o (1,6).
- ◆ MODALITÀ
- ◆ Per regolare la modalità vento (normale, riposo, naturale), premere il pulsante "Wind Mode" (P) o (1,4).
- ◆ Quando si accende l'apparecchio la prima volta appare selezionata per difetto la modalità normale.
- ◆ La modalità Naturale crea modelli variabili di vento, che

simulano il vento reale all'aperto.

- ◆ La modalità riposo crea modelli di vento uguali a quelli della modalità naturale.
- ◆ Tuttavia, quando il ventilatore è regolato sulla velocità media o alta, il modello abbassa di un livello la velocità dopo circa 30 minuti.
- ◆ Raffreddamento mediante nebulizzazione ultrasonica
- ◆ Per azionare la nebulizzazione ultrasonica, premere il pulsante "M". Selezionare la potenza della nebulizzazione (bassa, media, alta) premendo il pulsante varie volte.

Una volta concluso l'utilizzo dell'apparecchio:

- ◆ Spegnerne l'apparecchio premendo l'interruttore di accensione/spengimento (O).
- ◆ Scollegare l'apparecchio dalla rete elettrica.
- ◆ Collocare il cavo nelle nell'apposito vano.
- ◆ Pulire l'apparecchio.

Come drenare l'eccesso di acqua

- ◆ Attenzione: prestare attenzione durante lo scarico dell'acqua in eccesso per evitare inutili fuoriuscite. Scaricare sempre l'acqua in eccesso in uno spazio in cui non è possibile danneggiare le aree circostanti.
- ◆ Quando si rimuove il serbatoio dell'acqua, l'acqua in eccesso rimane nell'apparecchio. Per drenare l'acqua in eccesso, seguire i passaggi seguenti.
- ◆ Posizionare sul pavimento un recipiente idoneo in cui scaricare l'acqua in eccesso.
- ◆ Lo scarico si trova in corrispondenza della giunzione tra base e corpo principale dell'apparecchio.
- ◆ Sollevare l'apparecchio e inclinarlo delicatamente in avanti sopra il recipiente con un angolo di 60-80 gradi per consentire all'acqua di defluire.
- ◆ Smaltire l'acqua in eccesso.

Riempimento del serbatoio dell'acqua (FIG.4)

- ◆ Entfernen Sie den Wassertank. (Abb. 4.1)
- ◆ Schrauben Sie die schwarze Kappe an der Unterseite ab. (Abb. 4.2)
- ◆ Füllen Sie Wasser ein und schrauben Sie die Kappe wieder auf. (Abb. 4.3)

PULIZIA

- ◆ Scollegare la elettrica e attendere che l'apparecchio si raffreddi prima di eseguirne la pulizia.

- ◆ Per prevenire la formazione di incrostazioni, alghe e batteri, pulire il serbatoio dell'acqua e le parti dell'apparecchio a contatto con l'acqua stagnante ogni 3 giorni.
- ◆ Clean the water tank and parts of the appliance that are in contact with standing water with fresh tap water and a few drops of cleaning detergent.
- ◆ Eliminare qualsiasi deposito di calcare o qualsiasi pellicola che si possa formare sui laterali del serbatoio o sulle superfici interne e asciugare.
- ◆ Non lasciar entrare acqua o altri liquidi nelle fenditure del sistema di ventilazione per non danneggiare le parti operative dell'apparecchio.
- ◆ Non immergere l'apparecchio in acqua o altri liquidi né lavarlo con acqua corrente.
- ◆ Una pulizia erranea può rovinare la superficie dell'apparecchio, accorciare la sua vita utile e persino causare situazioni di pericolo.

ANOMALIE E RIPARAZIONI

- ◆ In caso di guasti o problemi, rivolgersi ad un Centro d'Assistenza Tecnica autorizzato. Non tentare di smontare o riparare l'apparecchio: può essere pericoloso.

Per i prodotti dell'Unione Europea e/o nel caso in cui sia previsto dalla legislazione del Suo paese di origine: Prodotto ecologico e riciclabile

- ◆ I materiali d'imballaggio di questo apparecchio sono compresi in un sistema di raccolta, classificazione e riciclaggio. Per lo smaltimento, utilizzare gli appositi contenitori pubblici, adatti per ogni tipo di materiale.
- ◆ Il prodotto non contiene concentrazioni di sostanze considerate dannose per l'ambiente.



Questo simbolo indica che, per smaltire il prodotto al termine della sua durata utile, occorre depositarlo presso un ente di smaltimento autorizzato alla raccolta differenziata di rifiuti di apparecchiature elettriche ed elettroniche (RAEE).



Questo simbolo indica che il prodotto può contenere pile o batterie. Toglietele prima di gettare il prodotto. Le pile/batterie vanno depositate negli appositi contenitori per la raccolta. Non gettarle nel fuoco.

Le seguenti informazioni specificano le caratteristiche relative al ecodesign:

(EU) No 206/2012 + (EU) 2016-2282.

BXM75E	
Flusso massimo dell' ventilatore (F)	41,6 m ³ /h
Potenza di entrata del ventilatore (P)	42,0 W
Valore di servizio (SV) (ai sensi di IEC 60879)	1,0 (m ³ /min)/W
Consumo in modalità stand-by (PSB)	0,3 W
Consumo supplementare di elettricità (Q)	13,8 kWh/ a
Livello di potenza acustica del ventilatore (LWA)	56 dB(A)
Velocità massima dell'aria (c)	2,8 m/s

Questo apparecchio rispetta la Direttiva 2014/35/EU di Bassa Tensione, la Direttiva 2014/30/EU di Compatibilità Elettromagnetica, la Direttiva 2011/65/EU sui limiti d'impiego di determinate sostanze pericolose negli apparecchi elettrici ed elettronici e la Direttiva 2009/125/EC riguardante l'Ecodesign dei prodotti che consumano energia.

GARANZIA E ASSISTENZA TECNICA

Questo prodotto possiede il riconoscimento e la protezione della garanzia legale di conformità con la legislazione vigente.

Per far valere i suoi diritti o interessi, dovrà rivolgersi a uno qualsiasi dei nostri servizi ufficiali di assistenza tecnica.

Può trovare il più vicino cliccando sul seguente link: <http://www.2helpu.com/>

Inoltre, può richiedere informazioni mettendosi in contatto con noi (consultare l'ultima pagina del manuale).

Può scaricare questo manuale di istruzioni e i suoi aggiornamenti da <http://www.2helpu.com/>

VENTILADOR NEBULIZADOR BXM75E

Distinguido cliente:

Le agradecemos que se haya decidido por la compra de un producto de la marca BLACK+DECKER

Su tecnología, diseño y funcionalidad, y haber superado las más estrictas normas de calidad, garantizan su total satisfacción y la larga vida del producto.

CONSEJOS Y ADVERTENCIAS DE SEGURIDAD

- ◆ Leer atentamente este folleto de instrucciones antes de utilizar este aparato y guardarlo para posteriores consultas. El incumplimiento de estas instrucciones puede provocar un accidente.
- ◆ Este aparato puede ser utilizado por niños con edad de 8 años y superior, si se les ha dado la supervisión o instrucciones apropiadas respecto al uso del aparato de una manera segura y comprenden los peligros que implica
- ◆ No permitir que los niños realicen la limpieza o el mantenimiento sin supervisión.
- ◆ Este aparato no es un juguete. No permitir a los niños jugar con el aparato.
- ◆ Si el cable de alimentación está dañado debe ser sustituido por el fabricante, el servicio de asistencia técnica o personal cualificado, para evitar daños.
- ◆ Comprobar que el aparato está desenchufado antes de cualquier operación de montaje o instalación.
- ◆ Desenchufar el aparato cuando no esté en uso y antes de realizar cualquier tarea de limpieza, mantenimiento o llenado.
- ◆ Comprobar que el ventilador está desenchufado antes de quitar el protector.
- ◆ Este aparato está pensado únicamente para uso doméstico, no para uso profesional o industrial.
- ◆ Los altos niveles de humedad pueden favorecer el crecimiento de organismos biológicos en el ambiente.
- ◆ Evitar que el área alrededor del humidificador se humedezca o moje. En caso de humedad, reducir el caudal del humidificador. Si esto no es posible, utilizarlo de manera intermitente. No permitir que se humedezcan materiales absorbentes, como alfombras, cortinas o manteles.
- ◆ Desenchufar el aparato para su llenado y la limpieza.
- ◆ No dejar agua en el depósito cuando el aparato no esté en uso.
- ◆ Vaciar y limpiar el humidificador antes de guardarlo. Limpiar el humidificador antes del volver a utilizarlo.

◆ **ADVERTENCIA:** Si el agua no se renueva, y el depósito no se limpia adecuadamente cada 3 días, los microorganismos presentes en el agua o en el entorno donde se utiliza o almacena el aparato, pueden llegar a reproducirse en el depósito de agua y ser expulsados al aire, provocando graves riesgos para la salud.

◆ Vaciar y rellenar con agua limpia el depósito cada tres días. Antes de volverlo a llenar, limpie el depósito y otras partes del aparato en contacto con agua estancada con agua y unas gotas de detergente. Eliminar cualquier depósito de cal o película que se haya formado en los lados del depósito o en las superficies interiores y secarlos.

- ◆ Antes de conectar el aparato, comprobar que la tensión indicada en la placa de características coincide con la de la red eléctrica.
- ◆ Conectar el aparato a un enchufe que pueda suministrar un mínimo de 10 amperios.
- ◆ La clavija del cargador de baterías debe coincidir con la base eléctrica de la toma de corriente. No modificar el enchufe. No usar adaptadores de clavija.
- ◆ Situar el aparato sobre una superficie horizontal, plana y estable, capaz de soportar su peso.
- ◆ Comprobar que ni la entrada ni la salida de aire queden total o parcialmente tapadas por cortinas, ropas, etc., ya que esto aumenta el riesgo de incendio.
- ◆ No usar ningún programador, temporizador u otro dispositivo de encendido automático.
- ◆ No utilizar el aparato con el cable o la clavija dañados.
- ◆ Si la carcasa del aparato se rompe, desenchufarlo inmediatamente para evitar posibles descargas eléctricas.
- ◆ No utilizar el aparato si se ha caído, hay señales visibles de daños, o si existe una fuga.
- ◆ No tirar del cable. No usar el cable para levantar, transportar o desenchufar el aparato.

- ◆ No enrollar el cable alrededor del aparato.
- ◆ Comprobar regularmente el estado del cable. Los cables dañados o enredados aumentan el riesgo de descarga eléctrica.
- ◆ Este aparato no es apto para uso en exteriores.
- ◆ Examinar regularmente el cable y en caso de estar dañado, no usar el aparato.
- ◆ No utilizar ni guardar el aparato a la intemperie.
- ◆ No tocar la clavija de conexión con las manos mojadas.
- ◆ No tocar las partes móviles del aparato mientras esté en funcionamiento.
- ◆ La temperatura de las superficies accesibles puede ser elevada cuando el aparato está en funcionamiento.

Uso y cuidados:

- ◆ Antes de usar el aparato, extender totalmente el cable.
- ◆ No utilizar el aparato si sus accesorios no están correctamente colocados.
- ◆ No utilizar el aparato si sus accesorios presentan defectos. Sustituirlos inmediatamente.
- ◆ No utilizar el aparato si el interruptor de encendido/apagado no funciona.
- ◆ No mover el aparato mientras está en uso.
- ◆ No utilizar el aparato inclinado, ni darle la vuelta.
- ◆ No volcar el aparato si está en uso o enchufado.
- ◆ Si el aparato no se va a utilizar durante algún tiempo, retirar las pilas del mando a distancia.
- ◆ Guardar este aparato fuera del alcance de los niños y/o personas con capacidades físicas, sensoriales o mentales reducidas o no familiarizadas con su uso.
- ◆ Mantener el aparato en un lugar seco, sin polvo y protegido de la luz directa del sol.
- ◆ Verificar que las rejillas de ventilación no queden obstruidas por polvo, suciedad u otros objetos.
- ◆ Conservar el aparato en buen estado. Comprobar que las partes móviles no están desalineadas o atascadas, que no hay piezas rotas u otras condiciones que puedan afectar al buen funcionamiento del aparato.
- ◆ No dejar el aparato enchufado y sin vigilancia. Ahorrará energía y prolongará su vida útil.

Servicio:

- ◆ Asegurarse que el aparato es revisado por personal especializado y que se utilizan recambios o accesorios originales.
- ◆ No intentar desmontar o reparar el aparato para evitar riesgos.
- ◆ **PRECAUCIÓN:** Existe riesgo de incendio si la limpieza del aparato no se realiza conforme a estas instrucciones.

- ◆ Un uso inadecuado, o contrario a las instrucciones de uso, anula la garantía y responsabilidad del fabricante.

DESCRIPCIÓN

1. Anillo protector
2. Anillo nebulizador
3. Rejilla delantera
4. Arandela de sujeción
5. Aspas
6. Anillo protector
7. Rejilla trasera
8. Cabeza/motor del ventilador
9. Manguera de nebulización
10. Tornillo de fijación
11. Carcasa
12. Base
13. 4 ruedas
14. Arandela de sujeción de la base
15. Tapa del depósito de agua

- A Indicador temporizador (horas)
 B Indicador modo viento "Reposo"
 C Indicador modo viento "Natural"
 D Indicador velocidad de viento "Media" 2
 E Indicador velocidad de viento "Baja" 1
 F Indicador caudal de niebla "Bajo" 1
 G Indicador modo viento "Normal"
 H Indicador de oscilación
 I Indicador velocidad de viento "Fuerte" 3
 J Indicador luminoso temporizador
 K Indicador caudal de niebla "Medio" 2
 L Indicador caudal de niebla "Fuerte" 3
 M Ajustes caudal de niebla
 O Encendido/apagado
 P Ajustes del modo de viento
 Q Ajustes de la velocidad del ventilador
 R Oscilación ON/ OFF
 S Ajustes del temporizador ON/OFF

- 1.1 Activación/desactivación de la niebla y ajustes del caudal
- 1.2 Ajustes de la velocidad de viento
- 1.3 Temporizador ON/OFF, 1-12 horas
- 1.4 Ajustes del modo de viento
- 1.5 Ventilador encendido/apagado
- 1.6 Oscilación ON/ OFF

INSTALACIÓN

- ◆ Asegúrese de retirar el material de embalaje del interior del aparato.
- ◆ Compruebe que el ventilador está apagado y desenchufado antes de cualquier operación montaje o instalación.
- ◆ No retire las patas ni las ruedas del aparato.
- ◆ Compruebe que el aparato está nivelado.
- ◆ No cubra ni obstruya las aberturas del aparato.
- ◆ La clavija debe ser fácilmente accesible para poder desconectarla en caso de emergencia.
- ◆ El aparato debe usarse con su base montada.
- ◆ El aparato debe usarse con las ruedas colocadas.

Instrucciones para sustituir la pila del mando a distancia (Fig. 3)

- ◆ No intente recargar las pilas no recargables.
- ◆ Retire las pilas recargables del aparato para proceder a su recarga.
- ◆ No mezcle pilas de diferente tipo ni pilas nuevas y usadas.
- ◆ Coloque las pilas con la polaridad correcta.
- ◆ Retire las pilas agotadas y proceda a su eliminación de forma segura.
- ◆ Si no va a utilizar el aparato durante un largo periodo, retire las pilas.
- ◆ Los terminales de alimentación no deben estar cortocircuitados.
- ◆ Abra la tapa de las pilas del mando a distancia, y coloque dos pilas AAA de 1,5 V (el lado con el muelle corresponde al polo negativo). Los polos positivo y negativo de la pila deben coincidir con los polos positivo y negativo del mando a distancia

Montaje de la base:

- ◆ Para montar la base, coloque el aparato boca abajo.
- ◆ Sitúe la base en el cuerpo del aparato.
- ◆ Fije la base con la arandela de sujeción.
- ◆ Enderece el aparato y compruebe la correcta fijación de la base.

Montaje de las ruedas:

- ◆ Para montar las ruedas, coloque el aparato boca abajo.
- ◆ Inserte las 4 ruedas (13) en los cuatro agujeros.
- ◆ Vuelva a poner el aparato en pie y compruebe que las ruedas funcionan correctamente.

Montaje de la rejilla y las aspas (Fig. 1 y 2):

- ◆ A) Retire la tuerca de las aspas del ventilador (4) y la

arandela de sujeción de la rejilla (6) de la cabeza del ventilador.

- ◆ B) Alinee la rejilla trasera (7) del ventilador según la posición indicada en la chapa y apriete la arandela de sujeción (6) en el sentido de las agujas del reloj.
- ◆ C) Una las aspas del ventilador (5) al eje del motor, comprobando que el pasador del eje del motor está alineado con la ranura del aspa del ventilador, y apriete la arandela de sujeción del aspa del ventilador (4) en sentido contrario a las agujas del reloj.
- ◆ D) Sujete el anillo protector (1) en la rejilla trasera (7), y a continuación ensamble la rejilla delantera (3) (el anillo nebulizador (2) en la rejilla delantera estará orientado hacia abajo). Asegure mediante los tornillos.

INSTRUCCIONES DE USO

Antes del primer uso:

- ◆ Asegúrese de que ha retirado el material de embalaje del producto
- ◆ Prepare el aparato para la función que desee realizar:

Uso:

- ◆ Precaución: Se debe tener cuidado para evitar derrames al mover el aparato.
- ◆ Desenrolle completamente el cable antes de enchufarlo.
- ◆ Conecte el aparato a la red eléctrica.
- ◆ Oriente el aparato para dirigir el flujo de aire hacia la dirección deseada.
- ◆ Ponga el aparato en marcha, accionando el botón on/off.
- ◆ Seleccione la función.
- ◆ Seleccione la potencia.
- ◆ Seleccione la velocidad.

Función Ventilador:

- ◆ Seleccione la función ventilador.
- ◆ Seleccione la velocidad de ventilación.

Función Temporizador:

- ◆ Es posible controlar el tiempo de funcionamiento del aparato.
- ◆ Programe el tiempo de funcionamiento con los botones (1.3) o seleccionando (S).
- ◆ Lo puede seleccionar entre 1 y 12 horas
- ◆ Si pulsa el botón "Timer" con el ventilador encendido, la pantalla mostrará el tiempo restante.
- ◆ El tiempo programado o el restante se visualizarán en la pantalla (A).

- ◆ Después de la hora seleccionada, el aparato se apagará automáticamente.

Función oscilación:

- ◆ La función oscilación permite dirigir el flujo de aire que sale del aparato para que vaya cubriendo alternativamente y de modo automático un radio de hasta 75°.
- ◆ Para activar esta función, pulse el botón on/off de oscilación (R) o (1.6).
- ◆ Para desactivarla, pulse nuevamente el botón on/off de la función oscilación (R) o (1.6).

MODOS

- ◆ Para ajustar el modo de viento (normal, reposo, natural), pulse el botón "Wind Mode" (P) o (1.4).
- ◆ Al encender el aparato por primera vez, aparece el modo normal seleccionado por defecto.
- ◆ El modo Natural crea patrones de viento variables que simulan al viento al aire libre.
- ◆ El modo de reposo crea patrones de viento iguales a los del modo natural.
- ◆ Sin embargo, cuando el ventilador se ajusta a velocidad media o alta, el patrón bajará un nivel de velocidad transcurridos aproximadamente 30 minutos.
- ◆ Enfriamiento mediante niebla ultrasónica.
- ◆ Para accionar la niebla ultrasónica, pulse el botón "M". Seleccione el caudal de niebla (bajo, medio y alto) pulsando el botón varias veces.

Una vez finalizado el uso del aparato:

- ◆ Apague el aparato con el interruptor de encendido/apagado (O)
- ◆ Desenchufe el aparato.
- ◆ Coloque el cable en su alojamiento.
- ◆ Limpie el aparato.

Cómo drenar el exceso de agua (Fig.4)

- ◆ Caution: care should be taken when draining excess water to avoid unnecessary spillage. Always drain the excess water in a space where water damage to surrounding areas is not possible.
- ◆ When removing the water tank, excess water remains in the appliance. To drain this excess water please follow the below steps.
- ◆ Place a suitable receptacle on the floor in which to drain the excess water.
- ◆ The drain is located at the join of the base and main body of the appliance.
- ◆ Lift the appliance and gently tip forwards over the

receptacle to an angle of 60-80 degrees to allow the water to drain.

- ◆ Dispose of the excess water.

Llenado del depósito de agua (Fig.4)

- ◆ Retire el tanque de agua. (Figura 4.1)
- ◆ Desenrosque la tapa negra en la parte inferior. (Figura 4.2)
- ◆ Llene con agua y vuelva a enroscar la tapa. (Figura 4.3)

LIMPIEZA

- ◆ Desenchufe el aparato y deje que se enfríe antes de iniciar cualquier operación de limpieza.
- ◆ Para evitar la formación de incrustaciones, algas y bacterias, limpie el depósito de agua y las partes del aparato que están en contacto con agua estancada cada 3 días.
- ◆ Limpie el depósito de agua y las partes del aparato que están en contacto con agua estancada con agua corriente fresca y unas gotas de detergente limpiador.
- ◆ Elimine cualquier depósito de cal o película que se haya formado en los lados del depósito o en las superficies interiores, y séquelos.
- ◆ Impida la entrada de agua u otro líquido por las aberturas de ventilación para evitar daños en las partes operativas interiores del aparato.
- ◆ No sumerja el aparato en agua u otro líquido ni lo coloque debajo del grifo.
- ◆ Una limpieza incorrecta puede degradar la superficie del aparato, acortar su vida útil e incluso provocar situaciones de peligro.

ANOMALÍAS Y REPARACIÓN

- ◆ En caso de avería u otro tipo de problemas, lleve el aparato a un Servicio de Asistencia Técnica autorizado. No intente desmontarlo o repararlo ya que puede resultar peligroso.

Para productos de la Unión Europea y/o en caso de que así lo exija la normativa en su país de origen: Ecología y reciclabilidad del producto:

- ◆ Los materiales de embalaje de este aparato están incluidos en un sistema de recogida, clasificación y reciclado. Si desea deshacerse de ellos, puede utilizar los contenedores de reciclaje públicos apropiados para cada tipo de material.

- ◆ El producto está exento de concentraciones de sustancias que se puedan considerar dañinas para el medio ambiente.



Este símbolo significa que en caso de que desee deshacerse del producto una vez terminada su vida útil, deberá llevarlo a un gestor de residuos autorizado para la recogida selectiva de Residuos de Aparatos Eléctricos y Electrónicos (RAEE).



Este símbolo significa que el producto puede disponer de pilas o baterías en su interior, las cuales deben ser retiradas previamente antes de deshacerse del producto. Recuerde que las pilas/baterías deben depositarse en contenedores especiales autorizados. No las arroje al fuego.

La siguiente información detalla las características relacionadas con el ecodiseño:

(EU) No 206/2012 + (EU) 2016-2282.

BXM75E	
Caudal máximo de ventilación (F)	41.6 m ³ /min
Potencia de entrada del ventilador (P)	42.0 W
Valor de servicio (SV) (según el a IEC 60879)	1.0 (m ³ /min) /W
Consumo en modo espera (PSB)	0.3 W
Consumo estacional de electricidad (Q)	13.8 kWh/a
Nivel de potencia acústica del ventilador (LWA)	56 dB(A)
Velocidad máxima del aire (c)	2.8 m/s

Este aparato cumple con la Directiva 2014/35/EU de Baja Tensión, con la Directiva 2014/30/EU de Compatibilidad Electromagnética, con la Directiva 2011/65/EU sobre restricciones a la utilización de determinadas sustancias peligrosas en aparatos eléctricos y electrónicos y con la Directiva 2009/125/EC sobre los requisitos de diseño ecológico aplicable a los productos relacionados con la energía.

GARANTÍA Y ASISTENCIA TÉCNICA

Este producto goza del reconocimiento y protección de la garantía legal de acuerdo con la legislación vigente.

Para hacer valer sus derechos o intereses, debe acudir a cualquiera de nuestros servicios oficiales de asistencia técnica.

Puede encontrar el más cercano accediendo al siguiente enlace web: <http://www.2helpu.com/>

También puede solicitar información relacionada poniéndose en contacto con nosotros (consulte la última página del manual).

Puede descargar este manual de instrucciones y sus actualizaciones en <http://www.2helpu.com/>

VENTOINHA NEBULIZADORA BXM75E

Caro cliente:

Obrigado por ter adquirido um produto da marca BLACK+DECKER

A sua tecnologia, design e funcionalidade, aliados às mais rigorosas normas de qualidade, garantir-lhe-ão uma total satisfação durante muito tempo.

CONSELHOS E ADVERTÊNCIAS DE SEGURANÇA

- ◆ Leia atentamente este manual de instruções antes de utilizar o aparelho e guarde-o para consultas futuras. A não observância e cumprimento destas instruções pode resultar em acidente.
- ◆ Este aparelho pode ser utilizado por pessoas não familiarizadas com a sua utilização, pessoas incapacitadas ou crianças a partir dos 8 anos, desde que o façam sob supervisão ou tenham recebido formação sobre a utilização segura do aparelho e compreendam os perigos que este acarreta.
- ◆ Não deixe que as crianças efetuem a limpeza ou manutenção sem supervisão.
- ◆ Este aparelho não é um brinquedo. Vigie as crianças para que não brinquem com o aparelho.
- ◆ Se o cabo de alimentação estiver danificado deve ser substituído pelo fabricante, pelo serviço de assistência técnica, ou por pessoal qualificado, para evitar danos.
- ◆ Assegure-se de que o aparelho não está ligado à corrente elétrica antes de iniciar qualquer operação de instalação ou montagem.
- ◆ Desligue o aparelho da corrente elétrica quando não for utilizado e antes de realizar operações de limpeza, manutenção ou enchimento.
- ◆ Verifique se a ventoinha está desligada da corrente elétrica antes de retirar o protetor.
- ◆ Este aparelho foi projetado unicamente para utilização doméstica, não para utilização profissional ou industrial.
- ◆ Os altos níveis de humidade podem favorecer o crescimento de organismos biológicos no ambiente.
- ◆ Evite que a área em redor do humidificador fique húmida ou molhada. Em caso de humidade, reduza o caudal do fluxo do humidificador. Se tal não for possível, utilize-o de maneira intermitente. Não permita que artigos com materiais absorventes fiquem húmidos, tais como, almofadas, cortinas ou mantas.
- ◆ Desligue o aparelho da corrente elétrica durante o seu enchimento e limpeza.

- ◆ Não deixe água no depósito quando o aparelho não estiver a ser utilizado.
- ◆ Esvazie ou limpe o depósito de água antes de guardar o aparelho. Limpe o humidificador antes de o voltar a utilizar.
- ◆ **ADVERTÊNCIA:** Se a água não for renovada e o depósito não for limpo de maneira adequada a cada 3 dias, os microorganismos presentes na água, ou em redor do sítio onde o aparelho é guardado, podem chegar a reproduzir-se no depósito de água e ser expulsos para o ar, provocando graves riscos para a saúde.
- ◆ Esvazie o depósito e encha-o com água limpa a cada três dias. Antes de o tornar a encher, limpe o tanque e outras partes do aparelho em contacto com água parada com água e umas gotas de detergente. Elimine qualquer depósito de calcário ou película que se tenha formado nas paredes interiores do depósito e seque-o.
- ◆ Antes de ligar o aparelho à corrente, verifique se a tensão indicada na placa de características corresponde à tensão da corrente eléctrica.
- ◆ Ligue o aparelho a uma tomada eléctrica com ligação à terra e que suporte 10 amperes.
- ◆ A ficha do aparelho deve coincidir com a tomada de corrente eléctrica. Não modifique a ficha. Não utilize adaptadores de ficha.
- ◆ Coloque o aparelho em cima de uma superfície horizontal, plana e estável e capaz de suportar o seu peso.
- ◆ Certifique-se de que a entrada e a saída de ar não fiquem total ou parcialmente tapadas por cortinas, roupas, etc., devido ao risco de incêndio.
- ◆ Não utilize nenhum programador, temporizador ou outro dispositivo que ligue o aparelho automaticamente.
- ◆ Não utilize o aparelho se tiver o cabo eléctrico ou a ficha danificada.
- ◆ Se algum dos elementos que envolvem o aparelho se partir, desligue imediatamente para evitar possíveis descargas eléctricas.
- ◆ Não utilize o aparelho se este caiu e se existirem sinais visíveis de danos ou de fuga.
- ◆ Não desligue puxando pelo cabo. Nunca use o cabo para levantar, transportar ou desligar o aparelho da corrente.
- ◆ Não enrole o cabo à volta do aparelho.
- ◆ Verifique regularmente o estado do cabo. Cabos danificados ou emaranhados aumentam o risco de choque eléctrico.
- ◆ Este aparelho não deve ser utilizado no exterior.
- ◆ O cabo deve ser examinado regularmente quanto a danos e, se estiver danificado, o aparelho não deve ser usado.
- ◆ Não utilize nem guarde o aparelho ao ar livre.
- ◆ Não toque na ficha de ligação com as mãos molhadas.
- ◆ Não toque nas partes móveis do aparelho quando este estiver em funcionamento.
- ◆ A temperatura das superfícies acessíveis pode aumentar quando o aparelho está em funcionamento.

Utilização e cuidados:

- ◆ Antes de cada utilização, desenrole completamente o cabo de alimentação do aparelho.
- ◆ Não utilize o aparelho se os acessórios não estiverem devidamente montados.
- ◆ Não utilize o aparelho se os acessórios apresentarem defeitos. Substitua-os imediatamente.
- ◆ Não utilize o aparelho se o interruptor de ligar/desligar não funcionar.
- ◆ Não desloque o aparelho enquanto estiver em funcionamento.
- ◆ Não utilize o aparelho inclinado ou invertido.
- ◆ Não vire o aparelho ao contrário enquanto estiver a ser utilizado ou ligado à rede eléctrica.
- ◆ Se o aparelho não for ser utilizado durante algum tempo, retire as pilhas do controlo remoto.
- ◆ Guarde este aparelho fora do alcance de crianças e/ou de pessoas que apresentem capacidades físicas, sensoriais ou mentais reduzidas, ou falta de experiência e conhecimento.
- ◆ Mantenha e guarde o aparelho num local seco, sem pó e afastado da luz solar.
- ◆ Assegure-se de que as grelhas de ventilação do aparelho

não fiquem obstruídas por pó, sujidade ou outros objectos.

- ◆ Conserve o aparelho em bom estado. Verifique se as partes móveis não estão desalinhasadas ou travadas, se não existem peças partidas ou outras condições que possam afectar o bom funcionamento do aparelho.
- ◆ Não deixe o aparelho ligado sem vigilância. Poupará energia e prolongará a vida.

Assistência técnica:

- ◆ Verifique se o aparelho é inspecionado por pessoal especializado e que se utilizam recargas ou acessórios de origem.
- ◆ Não tente desmontar ou reparar o aparelho você mesmo já que tal acarreta perigos.
- ◆ **PRECAUÇÃO:** Existe risco de incêndio caso a limpeza do aparelho não seja realizada conforme estas instruções.
- ◆ Qualquer utilização inadequada ou em não conformidade com as instruções de utilização anula a garantia e responsabilidade do fabricante.

DESCRIÇÃO

1. Aro de proteção
2. Aro nebulizador
3. Grelha frontal
4. Porca de fixação
5. Pás
6. Anel de proteção
7. Grelha traseira
8. Cabeça/motor da ventoinha
9. Tubo de nebulização
10. Parafuso de fixação
11. Corpo (peça exterior)
12. Base
13. 4 rodas
14. Porca de fixação da base
15. Tapa do depósito de água

- A Indicador de temporizador (horas)
- B Indicador de modo de vento "Repouso"
- C Indicador de modo de vento "Natural"
- D Indicador de velocidade de vento "Médio" 2
- D Indicador de velocidade de vento "Baixo" 1
- F Indicador de fluxo de neblina "Baixo" 1
- B Indicador de modo de vento "Normal"
- H Indicador de oscilação

- I Indicador de velocidade de vento "Forte" 3
- J Indicador luminoso de temporizador
- F Indicador de fluxo de neblina "Médio" 2
- F Indicador de fluxo de neblina "Forte" 3
- M Regulação do fluxo de neblina
- O Ligar/Desligar
- P Ajustes no modo de vento
- Q Ajustes da velocidade da ventoinha
- R Oscilação ON/OFF
- S Regulação do temporizador ON/OFF

- 1.1 Ativação/desativação da neblina e regulação do fluxo
- 1.2 Regulação da velocidade do vento
- 1.3 Temporizador ON/OFF, 1-12 horas
- 1.4 Regulação do modo de vento
- 1.5 Ligar/desligar a ventoinha
- 1.6 Oscilação ON/OFF

INSTALAÇÃO

- ◆ Retire o material de embalagem do interior do aparelho.
- ◆ Verifique se a ventoinha está desligada da corrente elétrica antes de qualquer operação de montagem ou instalação.
- ◆ Não remova os pés nem as rodas do aparelho.
- ◆ Verifique se o aparelho está nivelado.
- ◆ Não cobra nem obstrua nenhuma das aberturas do aparelho.
- ◆ A ficha deve ser ligada a uma tomada de fácil acesso para se poder desligá-la em caso de emergência.
- ◆ O aparelho deve funcionar com a respectiva base encaixada.
- ◆ O aparelho deve ser usado com a respectiva rodas colocadas.

Instruções para substituir a pilha do controlo remoto (Fig. 3)

- ◆ Não tente recarregar pilhas não recarregáveis
- ◆ Retire as pilhas recarregáveis do aparelho para proceder à sua recarga.
- ◆ Não misture pilhas de diferentes tipos nem pilhas novas e usadas.
- ◆ Coloque as pilhas no sentido da polaridade correta.
- ◆ Retire as pilhas gastas e proceda à sua eliminação de forma segura.
- ◆ Se não for utilizar o aparelho durante algum tempo, retire as pilhas.

- ◆ Os terminais de alimentação não devem estar em curto-circuito.
- ◆ Abra a tampa do compartimento das pilhas do controlo remoto e coloque duas pilhas AAA de 1,5 V (o lado com a mola corresponde ao pólo negativo). Os pólos positivo e negativo da pilha devem coincidir com os pólos positivo e negativo do controlo remoto

Montagem da base:

- ◆ Para montar a base, coloque o aparelho com a abertura para baixo.
- ◆ Posicione a base no corpo do aparelho.
- ◆ Fixe a base com a porca de fixação.
- ◆ Endireite o aparelho e verifique a correta fixação da base.

Montagem das rodas:

- ◆ Para montar as rodas, coloque o aparelho com a abertura para baixo.
- ◆ Insira as 4 rodas (13) nos quatro orifícios.
- ◆ Volte a colocar o aparelho em pé e verifique o correto funcionamento das rodas.

Montagem da rede e das pás (FIG. 1 e 2):

- ◆ A) Retire a porca das pás da ventoinha (4) e a porca de fixação da grelha (6) da cabeça da ventoinha.
- ◆ B) Alinhe a grelha traseira (7) da ventoinha de acordo com a posição indicada na chapa e aperte a porca de fixação (6) no sentido dos ponteiros do relógio.
- ◆ C) Una as pás da ventoinha (5) ao eixo do motor, verificando que o orifício de passagem do eixo do motor fica bem alinhado com a ranhura das pás da ventoinha, e aperte a porta de fixação da pás da ventoinha (4) no sentido contrário ao dos ponteiros do relógio.
- ◆ D) Fixe o aro de proteção (1) na grelha traseira (7) e, em seguida, monte a grelha dianteira (3) (o aro nebulizador (2) na grelha dianteira fica orientado para baixo). Fixe-a com os parafusos.

INSTRUÇÕES DE UTILIZAÇÃO

Antes da primeira utilização:

- ◆ Certifique-se de que retirou o material de embalagem do produto
- ◆ Prepare o aparelho de acordo com a função a realizar:

Utilização:

- ◆ Atenção: Deve-se tomar cuidado para evitar derramamento ao mover o aparelho.
- ◆ Desenrole completamente o cabo antes de o ligar à tomada.
- ◆ Ligue o aparelho à corrente elétrica.
- ◆ Oriente o aparelho de modo a dirigir o fluxo de ar na direção desejada.
- ◆ Coloque o aparelho em funcionamento, acionando o botão on/off.
- ◆ Selecione a função.
- ◆ Selecione a potência.
- ◆ Selecione a velocidade.

Função de Ventilação:

- ◆ Seleção função ventilação.
- ◆ Selecione a velocidade de ventilação.

Função de Temporizador:

- ◆ É possível controlar o tempo de funcionamento do aparelho.
- ◆ Programe o tempo de funcionamento com os botões (1,3) ou selecionando (S).
- ◆ Pode selecionar entre 1 e 12 horas
- ◆ Se premir o botão "Timer" com a ventoinha ligada, irá aparecer o tempo restante no visor.
- ◆ Aparecerá no visor o tempo programado ou tempo que ainda falta (A).
- ◆ Após a hora selecionada, o aparelho desliga-se automaticamente.

Função de Oscilação:

- ◆ A função de oscilação permite dirigir o fluxo de ar que sai do aparelho e cobrir alternadamente e de modo automático um raio até 75°.
- ◆ Para ativar esta função, prima o botão on/off de oscilação (R) ou (1,6).
- ◆ Para desativar esta função, prima novamente o botão on/off de oscilação (R) ou (1,6)
- ◆ MODOS
- ◆ Para ajustar o modo de vento (normal, repouso, natural), prima o botão "Wind Mode" (P) ou (1,4).
- ◆ Ao ligar o aparelho pela primeira vez, aparece o modo normal por predefinição.
- ◆ O modo Natural cria padrões de vento variáveis que simulam o vento ao ar livre.

- ◆ O modo de repouso cria padrões de vento iguais aos do modo natural.
- ◆ No entanto, quando a ventoinha ajusta a velocidade média ou alta, o padrão baixa a velocidade em um nível ao fim de cerca de 30 minutos.
- ◆ Arrefecimento através de neblina ultrassônica
- ◆ Para acionar a neblina ultrassônica, prime o botão "M". Selecione o caudal de fluxo de neblina (baixo, médio ou alto) premindo o botão várias vezes.
- ◆ Clean the water tank and parts of the appliance that are in contact with standing water with fresh tap water and a few drops of cleaning detergent"
- ◆ Elimine qualquer depósito de calcário ou película que se tenha formado nas paredes interiores do depósito e seque-o.
- ◆ Não deixe entrar água ou outro líquido pelas aberturas de ventilação para evitar danos nas partes operativas interiores do aparelho.
- ◆ Não mergulhe o aparelho em água ou em qualquer outro líquido nem o coloque debaixo da torneira.
- ◆ Uma limpeza incorreta pode degradar a superfície do aparelho, encurtar a sua vida útil e inclusivamente provocar situações de perigo.

Uma vez concluída a utilização do aparelho:

- ◆ Pare o aparelho, acionando o botão de ligar/desligar (O).
- ◆ Desligue o aparelho.
- ◆ Coloque o cabo no seu alojamento.
- ◆ Limpe o aparelho.

Como drenar o excesso de água

- ◆ Atenção: deve-se ter cuidado ao drenar o excesso de água para evitar derramamento desnecessário. Sempre drene o excesso de água em um espaço onde não seja possível danificar as áreas circundantes.
- ◆ Ao retirar o depósito de água, o excesso de água permanece no aparelho. Para drenar esse excesso de água, siga os passos abaixo.
- ◆ Coloque um recipiente adequado no chão para drenar o excesso de água.
- ◆ O dreno está localizado na junção da base e corpo principal do aparelho.
- ◆ Levante o aparelho e incline suavemente para a frente sobre o recipiente em um ângulo de 60-80 graus para permitir que a água escorra.
- ◆ Elimine o excesso de água.

Enchendo o tanque de água (FIG.4)

- ◆ Remova o tanque de água. (Figura 4.1)
- ◆ Desaperte a tampa preta na parte inferior. (Figura 4.2)
- ◆ Encha com água e aperte a tampa novamente. (Figura 4.3)

LIMPEZA

- ◆ Desligue o aparelho e deixe-o arrefecer antes de iniciar qualquer operação de limpeza.
- ◆ Para evitar a formação de calcário, algas e bactérias, limpe o depósito de água e as partes do aparelho que estão em contacto com água parada a cada 3 dias.

ANOMALIAS E REPARAÇÃO

- ◆ Em caso de avaria ou problema, leve o aparelho a um Serviço de Assistência Técnica autorizado. Não tente desmontar ou reparar o aparelho, já que pode ser perigoso.

Para produtos da União Europeia e/ou em conformidade com os requisitos da regulamentação do seu país de origem:

Ecologia e reciclabilidade do produto

- ◆ Os materiais que constituem a embalagem deste aparelho estão integrados num sistema de recolha, classificação e reciclagem. Se deseja eliminá-los, utilize os contentores de reciclagem colocados à disposição para cada tipo de material.
- ◆ O produto está isento de concentrações de substâncias que possam ser consideradas nocivas para o ambiente.



O caso de que desejar desfazer-se do produto depois de terminada termina sua vida útil, deve leve de um gestor de resíduos autorizado para a recolha seletiva de Resíduos de Equipamentos Elétricos e Eletrónicos (REEE).



Este símbolo significa que o produto pode conter pilhas ou baterias no seu interior, as quais devem ser retiradas antes de se desfazer do produto. Lembre-se que as pilhas/baterias

devem ser depositadas em contentores especiais autorizados. Nunca as deite para o lume.

A seguinte informação detalha as características do ecodesign: (EU) No 206/2012 + (EU) 2016-2282.

BXM75E	
Caudal máximo de ventilação (F)	41,6 m ³ /min
Potência de entrada da ventoinha (P)	42,0W
Valor do serviço (SV) (conforme o IEC 60879)	1,0 (m ³ /min)/W
Consumo em modo espera (PSB)	0,3W
Consumo auxiliar de energia elétrica(Q)	13,8 kWh
Nível de potência acústica da ventilação (L _{WA})	56 dB(A)
Velocidade máx do ar (c)	2,8 m/s

Este aparelho cumpre a Diretiva 2014/35/EU de Baixa Tensão, a Diretiva 2014/30/EU de Compatibilidade Eletromagnética, a Diretiva 2011/65/EU sobre restrições à utilização de determinadas substâncias perigosas em aparelhos elétricos e eletrônicos e a Diretiva 2009/125/EC sobre os requisitos de design ecológico aplicável aos produtos relacionados com a energia.

GARANTIA E ASSISTÊNCIA TÉCNICA

Este produto está ao abrigo do reconhecimento e proteção da garantia legal em conformidade com a legislação em vigor.

Para fazer valer os seus direitos ou interesses, deve recorrer sempre aos nossos serviços oficiais de assistência técnica.

Poderá encontrar o mais próximo de si através do seguinte website: <http://www.2helpu.com/>

Também pode solicitar informações relacionadas, pondo-se em contacto connosco (consulte a última página do manual).

Pode fazer o download deste manual de instruções e suas atualizações em <http://www.2helpu.com/>

VENTILATOR MET VERSTUIVER BXMF75E

Geachte klant:

We danken u voor de aankoop van een product van het merk BLACK+DECKER.

De technologie, het ontwerp en de functionaliteit van dit product, dat voldoet aan de meest strikte kwaliteitseisen, staan garantie voor uw langdurige tevredenheid.

VEILIGHEIDSADVIEZEN EN WAARSCHUWINGEN

- ◆ Neem deze gebruiksaanwijzing aandachtig door voordat u het apparaat in gebruik neemt en bewaar ze voor latere raadpleging. Het niet opvolgen van deze instructies kan een ongeluk tot gevolg hebben.
- ◆ Dit apparaat mag onder toezicht door onervaren personen, personen met een beperking of kinderen vanaf 8 jaar gebruikt worden, mits zij de nodige informatie hebben gekregen om het apparaat op een veilige manier te kunnen gebruiken en de gevaren kennen.
- ◆ Laat kinderen geen reiniging of onderhoud verrichten zonder toezicht.
- ◆ Dit apparaat is geen speelgoed. Houd toezicht op kinderen om er zeker van te zijn dat ze niet met het apparaat spelen.
- ◆ Wanneer de voedingskabel beschadigd is, moet deze worden vervangen door de fabrikant, de klantenservice of gekwalificeerd personeel, om eventuele risico's te vermijden.
- ◆ Controleer dat het apparaat niet aangesloten is op het lichtnet voordat u start met de installatie of montage.
- ◆ Trek de stekker uit het stopcontact wanneer u het apparaat niet gebruikt en wanneer u het reinigt, vult, of er onderhoud aan verricht.
- ◆ Controleer dat de ventilator niet aangesloten is op het lichtnet voordat u de bescherming verwijdert.
- ◆ Dit apparaat is bedoeld voor huishoudelijk gebruik, niet voor professioneel of industrieel gebruik.
- ◆ Bij een hoge luchtvochtigheid neemt de groei van biologische organismen toe.
- ◆ Voorkom dat de zone rondom de luchtbevochtiger nat of vochtig wordt. Verminder bij vochtigheid het debiet van de luchtbevochtiger. Als dit niet mogelijk is, onderbreek het gebruik van het apparaat regelmatig. Let erop dat absorberende materialen, zoals vloerkleden, gordijnen of tafelkleden niet bevochtigd worden.
- ◆ Trek de stekker uit het stopcontact om het apparaat te vullen of reinigen.

- ◆ Giet het reservoir leeg wanneer het apparaat niet in gebruik is.
- ◆ Leeg het waterreservoir en reinig de luchtbevochtiger voordat u hem opbergt. Reinig de luchtbevochtiger voordat u hem opnieuw gebruikt.
- ◆ **WAARSCHUWING:** Wanneer het water niet ververst wordt en het reservoir niet elke 3 dagen afdoende schoongemaakt wordt, kunnen de micro-organismen in het water of de omgeving waar het apparaat gebruikt of opgeslagen wordt zich in het waterreservoir vermenigvuldigen en in de lucht verstoven worden, met ernstige gevolgen voor de gezondheid.
- ◆ Leeg het waterreservoir elke drie dagen en vul het met rein water. Maak het schoon met water en een paar druppels zeep voordat u het opnieuw vult. Verwijder kalkresten of de film die zich eventueel op de zijkanten van het reservoir of op het inwendige oppervlakken heeft afgezet en droog het af.
- ◆ Controleer dat de spanningsgegevens op het typeplaatje overeenkomen met die van het lichtnet alvorens het apparaat erop aan te sluiten.
- ◆ Sluit het apparaat aan op een stopcontact dat minimaal 10 Ampère kan leveren.
- ◆ De stekker van de batterijlader moet geschikt zijn voor het stopcontact. Wijzig de stekker niet. Gebruik geen adapters.
- ◆ Plaats het apparaat op een vlak, horizontaal en stabiel oppervlak met voldoende draagvermogen.
- ◆ Controleer dat de luchtinlaat en -uitlaat niet geheel of gedeeltelijk afgedekt worden door gordijnen, kleren, en

- dergelijke, want hierdoor kan brandgevaar ontstaan.
- ◆ Sluit het apparaat nooit aan op een programmeur, timer of een ander mechanisme dat het apparaat automatisch inschakelt.
- ◆ Gebruik het apparaat niet wanneer de elektriciteitskabel of de stekker beschadigd zijn.
- ◆ Wanneer de behuizing van het apparaat stukgaat, moet u de stekker van het apparaat onmiddellijk uit het stopcontact trekken om een eventuele elektrische schok te voorkomen.
- ◆ Gebruik het apparaat niet als het is gevallen, wanneer er zichtbare tekenen van schade zijn, of wanneer het lekt.
- ◆ Trek niet aan de kabel. Gebruik de kabel nooit om het apparaat op te tillen, te transporteren of om de stekker uit het stopcontact te trekken.
- ◆ Wikkel de kabel niet om het apparaat.
- ◆ Controleer de conditie van de kabel regelmatig. Beschadigde of verwarde kabels verhogen het risico van een elektrische schok.
- ◆ Dit apparaat is niet geschikt voor gebruik buitenshuis..
- ◆ Controleer regelmatig of het snoer niet beschadigd is. Gebruik het apparaat niet als het stuk is.
- ◆ Bewaar of gebruik het apparaat niet buitenshuis.
- ◆ Raak de stekker niet met natte handen aan.
- ◆ Raak de bewegende onderdelen van het apparaat niet aan wanneer het aan staat.
- ◆ De temperatuur van de uitwendige oppervlakken kan hoog zijn als het apparaat in gebruik is.

Gebruik en onderhoud:

- ◆ Rol voor gebruik de voedingskabel van het apparaat volledig af.
- ◆ Gebruik het apparaat niet wanneer de accessoires niet correct aangekoppeld zijn.
- ◆ Gebruik het apparaat niet als de aangekoppelde accessoires beschadigd zijn. Vervang ze onmiddellijk.
- ◆ Gebruik het apparaat niet als de aan/uit knop niet werkt.
- ◆ Verplaats het apparaat niet terwijl het in gebruik is.
- ◆ Gebruik het apparaat niet wanneer het scheef staat en keer het niet om.
- ◆ Kantel het apparaat niet terwijl het in gebruik of op het lichtnet aangesloten is.
- ◆ Wanneer men het apparaat gedurende langere tijd niet zal gebruiken, verwijder de batterijen van de afstandbediening.
- ◆ Houd dit apparaat buiten bereik van kinderen en/of personen met lichamelijke, zintuiglijke of geestelijke beperkingen, of met een gebrek aan ervaring en kennis.
- ◆ Bewaar het apparaat op een droge plek, zonder stof of

direct zonlicht.

- ◆ Controleer dat de ventilatieroosters van het apparaat niet verstopt raken met stof, vuil of voorwerpen.
- ◆ Houd het apparaat in goede staat. Controleer dat de beweegbare delen niet scheef of vast zitten, dat er geen onderdelen kapot zijn of dat er andere problemen zijn die van invloed kunnen zijn op de correcte werking van het apparaat.
- ◆ Laat het apparaat niet zonder toezicht aan staan. U bespaart hierdoor energie en verlengt tevens de levensduur van het apparaat.

Reparaties:

- ◆ Verzekeer u ervan dat het apparaat door deskundigen wordt geïnspecteerd en dat men originele reserveonderdelen en accessoires gebruikt.
- ◆ Probeer het apparaat niet te demonteren of repareren om risico's te vermijden.
- ◆ LET OP: Er bestaat brandgevaar als apparaat niet volgens deze instructies wordt gereinigd.
- ◆ Onjuist gebruik of gebruik dat in strijd is met de gebruiksaanwijzingen annuleert de garantie en aansprakelijkheid van de fabrikant.

BESCHRIJVING

1. Beschermingsring
2. Vernevelingsring
3. Rooster voorkant
4. Bevestigingsring
5. Ventilatorbladen
6. Beschermingsring
7. Rooster achterkant
8. Kop/motor van de ventilator
9. Slang van de vernevelaar
10. Bevestigingsschroef
11. Behuizing
12. Basis
13. 4 Wielen
14. Bevestigingsring van de basis
15. Deksel waterreservoir

A Timer-indicator (uren)

B Controlelampje "Rust" ventilatie

C Controlelampje "Natuurlijke" ventilatie

D Controlelampje "Gemiddelde" ventilatie 2

E Controlelampje "Zachte" ventilatie 1

F Controlelampje neveldebiet "Laag" 1

G Controlelampje "Normale" ventilatie

H Controlelampje oscillatie

I Controlelampje "Harde" ventilatie 3

J Controlelampje timer

K Controlelampje neveldebiet "Gemiddeld" 2

L Controlelampje neveldebiet "Hoog" 3

M Instelling neveldebiet

O Aan / uit

P Instelling type ventilatie

Q Instelling ventilatiesnelheid

R Oscillatie ON/ OFF

S Instelling timer ON/OFF

1.1 Activatie/deactivatie van de verneveling en instelling van het debiet

1.2 Instelling van de ventilatiesnelheid

1.3 Timer ON/OFF, 1-12 uur

1.4 Instelling type ventilatie

1.5 Ventilatie aan/uit

1.6 Oscillatie ON/ OFF

INSTALLATIE

- ◆ Controleer dat al het verpakkingsmateriaal uit het inwendige van het apparaat verwijderd is.
- ◆ Controleer dat de ventilator uit staat en niet aangesloten is op het lichtnet voordat u start met de montage of installatie.
- ◆ Verwijder de poten of wielen van het apparaat niet.
- ◆ Controleer dat het apparaat horizontaal staat.
- ◆ Bedek of blokkeer de openingen van het apparaat niet.
- ◆ De stekker moet gemakkelijk bereikbaar zijn om in geval van nood de stekker snel uit het stopcontact te kunnen trekken.
- ◆ Bij gebruik moet de basis van het apparaat gemonteerd zijn.
- ◆ Gebruik het apparaat alleen als de wielen aangebracht zijn.

Instructies voor het vervangen van de batterij van de afstandsbediening (Fig. 3)

- ◆ Probeer batterijen voor eenmalig gebruik niet op te laden.
- ◆ Haal oplaadbare batterijen uit het apparaat om ze op te laden.
- ◆ Meng verschillende soorten batterijen of oude en nieuwe

batterijen niet.

- ◆ Plaats de batterijen met de polen in de juiste richting.
- ◆ Verwijder ontladen batterijen en voer ze veilig af.
- ◆ Verwijder de batterijen als u het apparaat gedurende langere tijd niet zult gebruiken.
- ◆ De aansluitingen van de voeding mogen niet kortgesloten zijn.
- ◆ Open het deksel van de batterijen van de afstandsbediening en plaats twee AAA batterijen van 1,5 V (de kant met de veer is de negatieve pool). De positieve en negatieve polen van de batterij moeten overeenkomen met de positieve en negatieve polen van de afstandsbediening.

Montage van de basis:

- ◆ Plaats het apparaat ondersteboven om de basis te monteren.
- ◆ Plaats de basis op het motorlichaam.
- ◆ Bevestig de basis met de bevestigingsring.
- ◆ Zet het apparaat weer rechtop en controleer dat de basis goed vastzit.

Montage van de wielen:

- ◆ Plaats het apparaat ondersteboven om de wielen te monteren.
- ◆ Plaats de 4 wielen (13) in de vier gaten.
- ◆ Zet het apparaat weer rechtop en controleer dat de wielen goed werken.

Montage van de roosters en de ventilatorbladen (FIG. 1 en 2):

- ◆ A) Verwijder de moer van de ventilatorbladen (4) en de bevestigingsring van het rooster (6) van de kop van de ventilator.
- ◆ B) Oriënteer het rooster van de achterkant (7) van de ventilator zoals aangegeven op de behuizing en draai de bevestigingsring (6) rechtsom aan.
- ◆ C) Plaats de ventilatorbladen (5) op de as van de motor, erop lettend dat de pin van de motoras in de gleuf van de ventilatorbladen valt, en draai de bevestigingsring van de ventilatorbladen (4) linksom aan.
- ◆ D) Plaats de beschermingsring (1) op het rooster van de achterkant (7), en breng vervolgens het rooster van de voorkant (3) aan (de vernevelingsring (2) op het rooster van de voorkant wijst naar beneden). Bevestig het geheel met de schroeven.

GEBRUIKSAANWIJZING

Voorafgaand aan het eerste gebruik:

- ◆ Controleer dat al het verpakkingsmateriaal van het product verwijderd is.
- ◆ Bereid het apparaat voor op de gewenste functie:

Gebruik:

- ◆ Caution: Care should be taken to avoid spillage when moving the appliance.
- ◆ Rol de kabel helemaal af alvorens de stekker in het stopcontact te steken.
- ◆ Steek de stekker in het stopcontact.
- ◆ Zet het apparaat zo dat de luchtstroom in de gewenste richting gaat.
- ◆ Zet het apparaat aan door op de knop ON/OFF te drukken.
- ◆ Selecteer de gewenste functie.
- ◆ Selecteer het vermogen.
- ◆ Selecteer de snelheid.

Ventilatorfunctie:

- ◆ Selecteer de gewenste ventilatiefunctie.
- ◆ Selecteer de gewenste ventilatiesnelheid.

Timerfunctie:

- ◆ Het is mogelijk de werkingsduur van het apparaat te in te stellen.
- ◆ Programmeer de gewenste tijdsduur met de knoppen (1.3) of door (S) te selecteren.
- ◆ Deze kan van 1 tot 12 uur ingesteld worden.
- ◆ Wanneer u op de "Timer" knop drukt terwijl de ventilator aanstaat, toont het scherm de resterende tijd.
- ◆ De ingestelde of resterende tijd wordt op het scherm weergegeven (A).
- ◆ Na de ingestelde tijd gaat het apparaat automatisch uit.

Oscilleerfunctie:

- ◆ Met de oscilleerfunctie gaat de luchtstroom automatisch heen en weer over een hoek van 75°.
- ◆ Activeer deze functie door op de knop oscillatie on/off (R) of (1.6) te drukken.
- ◆ Deactiveer deze functie door nogmaals op de knop oscillatie on/off (R) of (1.6) te drukken.
- ◆ FUNCTIES
- ◆ Selecteer de gewenste ventilatiefunctie (normaal, rust, natuurlijk), met de knop "Wind Mode" (P) of (1.4).

- ◆ Wanneer u het apparaat voor het eerst aanzet, is de stand normaal geselecteerd.
- ◆ De stand Natuurlijk genereert variabele ventilatiepatronen die de wind in de open lucht nabootsen. De stand Rust genereert dezelfde patronen als de stand Natuurlijk.
- ◆ Wanneer de ventilator echter op een gemiddelde of hoge snelheid staat ingesteld, zal de snelheid een stap omlaag gaan na ongeveer 30 minuten. Koeling met ultrasone verneveling

Activeer de ultrasone verneveling door op de knop "M" te drukken. Selecteer het vernevelingsdebiet (laag, midden of hoog) door herhaald op de knop te drukken.

Na gebruik van het apparaat:

- ◆ Zet het apparaat uit met de aan / uit knop (O).
- ◆ Haal de stekker uit het stopcontact.
- ◆ Plaats de kabel in het opbergvak.
- ◆ Reinig het apparaat.

Drainage van water (FIG.4)

- ◆ Let op: wees voorzichtig bij het afvoeren van overtollig water om onnodig morsen te voorkomen. Laat het overtollige water altijd weglopen in een ruimte waar waterschade aan de omgeving niet mogelijk is.
- ◆ Bij het verwijderen van het waterreservoir blijft er overtollig water in het apparaat staan. Volg de onderstaande stappen om dit overtollige water af te voeren.
- ◆ Plaats een geschikte opvangbak op de vloer om het overtollige water af te voeren.
- ◆ De afvoer bevindt zich bij de aansluiting van de basis en het hoofdgedeelte van het apparaat.
- ◆ Til het apparaat op en kantel het voorzichtig naar voren over de opvangbak in een hoek van 60-80 graden om het water te laten weglopen.
- ◆ Gooi het overtollige water weg.

Het waterreservoir vullen (FIG.4)

- ◆ Verwijder het waterreservoir. (Figuur 4.1)
- ◆ Draai de zwarte dop aan de onderkant los. (Figuur 4.2)
- ◆ Vul met water en schroef de dop er weer op. (Figuur 4.3)

REINIGING

- ◆ Trek de stekker uit het stopcontact en laat het apparaat afkoelen alvorens het te reinigen.
- ◆ Om kalkaanslag, algen en bacteriën te voorkomen, reinigt u de watertank en onderdelen van het apparaat die in contact komen met stilstaand water elke 3 dagen.

- ◆ Reinig het waterreservoir en delen van het apparaat die in contact komen met stilstaand water met vers kraanwater en een paar druppels schoonmaakmiddel.
- ◆ Verwijder kalkresten of de film die zich eventueel op de zijkanen van het reservoir of op het inwendige oppervlakken heeft afgezet en droog het af.
- ◆ Zorg ervoor dat er geen water of andere vloeistof binnendringt via de ventilatie-openingen, om schade aan de functionele delen in het inwendige van het apparaat te voorkomen.
- ◆ Dompel het apparaat niet onder in water of een andere vloeistof en houd het niet onder de kraan.
- ◆ Onjuiste reiniging kan leiden tot beschadiging van het oppervlak van het apparaat, de levensduur verkorten en zelfs tot gevaarlijke situaties leiden.

STORINGEN EN REPARATIE

- ◆ Breng het apparaat bij storing of problemen naar een erkende Technische Service. Probeer het apparaat niet zelf te demonteren of te repareren, want dit kan gevaarlijk zijn.

Voor producten afkomstig uit de Europese Unie en/of indien de wetgeving van het land waaruit het product afkomstig is dit vereist: Milieuvriendelijkheid en hergebruik van het product

- ◆ Het verpakkingsmateriaal van dit apparaat is geschikt voor inzameling, classificatie en hergebruik. Als u zich van dit materiaal wenst te ontdoen, kunt u gebruik maken van de openbare containers die voor de diverse soorten materiaal bedoeld zijn.
- ◆ Het product bevat geen stoffen in concentraties die als schadelijk voor het milieu beschouwd kunnen worden.



Dit symbool betekent dat u het product aan het eind van zijn levenscyclus moet afgeven aan een erkende afvalverwerker ten behoeve van de gescheiden verwerking van Afgedankte Elektrische en Elektronische Apparatuur (AEEA).



Dit symbool betekent dat er zich batterijen in het product kunnen bevinden die verwijderd moeten worden alvorens het product af te voeren. Denk eraan dat de batterijen in speciaal daarvoor bestemde containers afgevoerd moeten worden. Gooi ze niet in het vuur.

Hieronder treft u de specificaties van het ecologische ontwerp aan: (EU) No 206/2012 + (EU) 2016-2282.

BXMF75E	
Maximaal ventilatordebiet (F)	41,6 m ³ /h
Ingangsvermogen van de ventilator (P)	42,0 W
Bedrijfswaarde (SV) (volgens IEC 60879)	1,0 (m ³ /min) /W
Elektriciteitsverbruik in de stand-by stand (PSB)	0,3 W
Stationair energieverbruik (Q)	13,8 kWh/ A
Geluidsniveau van de ventilator (LWA)	56 dB(A)
Maximale luchtsnelheid (c)	2,8 m/s

Dit apparaat voldoet aan de laagspanningsrichtlijn 2014/35/EU, de richtlijn 2014/30/EU met betrekking tot elektromagnetische compatibiliteit, de richtlijn 2011/65/EU met betrekking tot beperkingen in de toepassing van bepaalde gevaarlijke stoffen in elektrische en elektronische apparaten en de richtlijn 2009/125/EG met betrekking tot de eisen inzake het ecologisch ontwerp van energie-gereleerde producten.

GARANTIE EN TECHNISCHE ONDERSTEUNING

Dit product valt onder de legale garantievoorzwaarden zoals bepaald in de actuele wetgeving.

Om een beroep te doen op uw rechten of aanspraken kunt u contact opnemen met onze officiële technische service.

U kunt de dichtstbijzijnde technische service vinden op de website: <http://www.2helpu.com/>

Voor verdere informatie kunt u ook contact met ons opnemen (zie de laatste bladzijde van de gebruiksaanwijzing).

U kunt deze gebruiksaanwijzing en eventuele actualiseringen ervan downloaden via <http://www.2helpu.com/>

WENTYLATOR NEBULIZATOR BXM75E

Szanowny Kliencie,

Serdecznie dziękujemy za zdecydowanie się na zakup sprzętu gospodarstwa domowego marki BLACK+DECKER. Jego technologia, forma i funkcjonalność, jak również fakt, że spełnia on wszelkie normy jakości, dostarczy Państwu pełnej satysfakcji przez długi czas.

PORADY I OSTRZEŻENIA DOTYCZĄCE BEZPIECZEŃSTWA

- ◆ Przeczytać uważnie instrukcję przed uruchomieniem urządzenia i zachować ją w celu późniejszych konsultacji. Nie przestrzeganie tych instrukcji może spowodować wypadek.
- ◆ Urządzenie może być używane przez osoby niezapoznane z tego typu produktem, osoby niepełnosprawne lub dzieci od 8 roku życia, tylko i wyłącznie pod kontrolą dorosłych zapoznanym z tego typu sprzętem.
- ◆ Nie pozwalać dzieciom na czyszczenie lub konserwację urządzenia bez nadzoru.
- ◆ To urządzenie nie jest zabawką. Nie pozwalać dzieciom na zabawę urządzeniem.
- ◆ Jeśli kable zasilający jest uszkodzony musi zostać wymieniony przez producenta, serwis techniczny lub wykwalifikowany personel, aby uniknąć uszkodzeń.
- ◆ Przed rozpoczęciem jakiegokolwiek czynności związanej z instalacją sprawdzać się, że urządzenie jest odłączone od sieci.
- ◆ Odłączyć urządzenie od sieci, gdy nie jest w użyciu i przed jakimkolwiek czyszczeniem, serwisowaniem lub napełnieniem.
- ◆ Przed zdjęciem osłony wentylatora należy sprawdzić, czy wentylator jest odłączony od zasilania.
- ◆ To urządzenie zaprojektowane zostało wyłącznie do użytku domowego, a nie do użytku profesjonalnego czy przemysłowego.
- ◆ Wysoki poziom wilgotności może sprzyjać rozwojowi organizmów biologicznych w środowisku.
- ◆ Należy zapobiegać zamoczeniu lub zawilgoceniu obszaru wokół nawilżacza. W przypadku wilgoci należy zmniejszyć natężenie przepływu w nawilżacz. Jeśli nie jest to możliwe, należy używać go z przerwami. Nie dopuścić do zamoczenia materiałów chłonnych, takich jak dywany, zasłony czy obrusy.
- ◆ Odłączyć urządzenie od zasilania na czas napełniania i czyszczenia.
- ◆ Nie należy pozostawiać wody w zbiorniku, gdy urządzenie nie jest używane.

- ◆ Opróżnić i wyczyścić zbiornik na wodę przed przechowywaniem. Przed ponownym użyciem nawilżacza należy go wyczyścić.
- ◆ **OSTRZEŻENIE:** Jeśli woda nie jest wymieniana, a zbiornik nie jest prawidłowo czyszczony co 3 dni, mikroorganizmy obecne w wodzie lub w środowisku, w którym urządzenie jest używane lub przechowywane, mogą rozmnażać się w zbiorniku wody i być wydalane do powietrza, powodując poważne zagrożenie dla zdrowia.
- ◆ Co trzy dni należy opróżnić i ponownie napełnić zbiornik czystą wodą. Przed ponownym napełnieniem należy wyczyścić go wodą z kilkoma kroplami detergentu. Usunąć osady kamienia lub osad, które mogły się utworzyć na ścianach zbiornika lub na powierzchniach wewnętrznych, i osuszyć je.
- ◆ Przed podłączeniem maszyny do sieci, sprawdzić czy napięcie wskazane na tabliczce znamionowej odpowiada napięciu sieci.
- ◆ Podłączać urządzenie do sieci elektrycznej o sile co najmniej 10 amperów.
- ◆ Wtyczka urządzenia powinna być zgodna z podstawą elektryczną gniazdka. Nie wolno modyfikować wtyczki. Nie używać przejściówek dla wtyczki.
- ◆ Umieścić urządzenie w pozycji horyzontalnej, na powierzchni płaskiej i stałej.
- ◆ Należy dokładnie sprawdzać że zarówno wlot i wylot powietrza nie są zakryte obcymi materiałami jak odzież, zasłony itd. gdy może to grozić pożarem.
- ◆ Nie należy używać z urządzeniami automatycznymi jak czasomierze lub podobne.
- ◆ Nie używać urządzenia, gdy kabel elektryczny lub wtyczka jest uszkodzona..

- ◆ Jeśli jakiś element obudowy urządzenia ulegnie uszkodzeniu, należy natychmiast odłączyć urządzenie z, aby uniknąć porażenia prądem.
- ◆ Nie używać urządzenia, jeśli upadło lub jeśli występują widoczne oznaki uszkodzenia , lub wycieki.
- ◆ Nie należy ciągnąć za kabel. Nie używać kabla do podnoszenia, przenoszenia ani wyłączania urządzenia.
- ◆ Nie zwiąć kabla wokół urządzenia.
- ◆ Uszkodzone lub zaplątane kable zwiększają ryzyko porażenia prądem. Uszkodzone czy zaplątane kable zwiększają ryzyko porażenia prądem.
- ◆ Urządzenie nie jest się do mycia do używania na zewnątrz.
- ◆ Nie używać urządzenia, jeśli upadło lub jeśli występują widoczne oznaki uszkodzenia lub wycieki.
- ◆ Nie używać, ani nie przechowywać urządzenia na zewnątrz.
- ◆ Nie dotykać wtyczki mokrymi rękoma.
- ◆ Nie dotykać ruchomych części urządzenia, kiedy jest ono w trakcie działania.
- ◆ Temperatura dostępnych powierzchni może ulec podniesieniu, kiedy urządzenie jest podłączone do sieci.

Używanie i konserwacja:

- ◆ Przed użyciem urządzenia należy całkowicie rozwinąć kabel.
- ◆ Nie używać urządzenia jeśli jego akcesoria lub filtry nie są odpowiednio dopasowane.
- ◆ Nie urządzenie, jeśli zamocowane do niego akcesoria posiadają wady. Należy je wówczas natychmiast wymienić.
- ◆ Nie używać urządzenia, jeśli nie działa przycisk włączenia/wyłączenia.
- ◆ Nie ruszać urządzenia w czasie działania.
- ◆ Nie należy używać urządzenia, gdy jest przechylone ani do góry dnem.
- ◆ Nie obracać ani nie przewracać urządzenia, kiedy jest ono w użyciu lub kiedy jest podłączone do prądu.
- ◆ Jeśli urządzenie nie będzie używane przez jakiś czas, należy wyjąć baterie z pilota zdalnego sterowania.
- ◆ Przechowywać urządzenie w miejscu niedostępnym dla dzieci i/lub osób o ograniczonych zdolnościach fizycznych, dotykowych lub mentalnych oraz nie posiadających doświadczenia lub znajomości tego typu urządzeń.
- ◆ Przechowywać urządzenie w suchym miejscu, gdzie nie ma kurzu, i z dala od światła słonecznego.
- ◆ Sprawdzić czy kratka wentylacyjne urządzenia nie są zapchane kurzem, zanieczyszczeniami czy innymi przedmiotami.

- ◆ Utrzymywać urządzenie w dobrym stanie. Sprawdzając, czy ruchome części nie są poprzestawiane względem siebie czy zakleszczone, czy nie ma zepsutych części czy innych warunków, które mogą wpłynąć na właściwe działanie urządzenia.
- ◆ Nie pozostawiać nigdy urządzenia podłączonego i bez nadzoru. W ten sposób zaoszczędzi się energię i przedłuży okres użytkowania urządzenia.

Serwis techniczny:

- ◆ Upewnić się, że urządzenie jest sprawdzane przez wykwalifikowany personel i że używane są oryginalne części zamienne lub akcesoria.
- ◆ Nie należy próbować demontować ani naprawiać urządzenia, aby uniknąć ryzyka.
- ◆ UWAGA: Istnieje możliwość zagrożenia pożarem, jeśli urządzenie nie będzie używane zgodnie z instrukcją obsługi.
- ◆ Wszelkie użycie niewłaściwe niezgodne z instrukcją obsługi unieważni gwarancję i odpowiedzialność producenta.

OPIS

1. Pierścień ochronny
2. Pierścień nebulizatora
3. Siatka przednia
4. Podkładka mocująca
5. Uchwyty
6. Pierścień ochronny
7. Kratka tylna
8. Głowica/silnik wentylatora
9. Wąż do rozpylania mgły
10. Śruba mocująca
11. Obudowa
12. Podstawa
13. 4 Kółka
14. Podkładka mocująca podstawę
15. Pokrywa zbiornika na wodę

- A Wskaźnik czasomierza (godziny)
- B Wskaźnik trybu wiatru „Jalowy”
- C Wskaźnik trybu wiatru „Naturalny”
- D Wskaźnik prędkości wiatru „Średnia” 2
- E Wskaźnik prędkości wiatru „Niska” 1
- F Wskaźnik przepływu mgły „Niska” 1
- G Wskaźnik trybu pracy wiatru „Normalny” 1
- H Wskaźnik oscylacji

- I Wskaźnik prędkości wiatru „Silny” 3
- J Lampka kontrolna wyłącznika czasowego
- K Wskaźnik przepływu mgły „Średni” 2
- L Wskaźnik przepływu mgły „Niski” 3
- M Ustawienia natężenia przepływu mgły
- O Włączenie / Wyłączenie
- P Ustawienia trybu wiatru
- Q Ustawienia prędkości wentylatora
- R R Oscylacja ON/ OFF
- S Ustawienia czasomierza ON/OFF

- 1.1 Włączanie/wyłączanie mgły i ustawienia natężenia przepływu
- 1.2 Ustawienia prędkości wiatru
- 1.3 Czasomierz ON/OFF, 1-12 godzin
- 1.4 Ustawienia trybu wiatru
- 1.5 Wentylator ON/OFF
- 1.6 Oscylacja ON/ OFF

INSTALACJA

- ◆ Upewnić się, czy zdjęty został materiał opakowania z wnętrza urządzenia.
- ◆ Przed rozpoczęciem jakiegokolwiek czynności z instalacją sprawdzać się, że wentylator jest wyłącznika i odłączone od sieci.
- ◆ Nie należy usuwać nóżek lub kółek z urządzenia.
- ◆ Sprawdzić, czy urządzenie wypoziomowane.
- ◆ Nie zakrywać ani nie blokować otworów urządzenia.
- ◆ Wtyczka powinna być łatwo dostępna, aby można ją było wyłączyć w sytuacji niebezpieczeństwa.
- ◆ Urządzenie musi wolno używać ze swoją zamontowaną podstawą.
- ◆ Należy używać urządzenia z zamontowanymi kołami.

Instrukcja wymiany baterii w pilocie zdalnego sterowania (Fig. 3)

- ◆ Nie należy próbować ładować baterii nie nadających się do ponownego ładowania.
- ◆ Wyjąć baterie z urządzenia, aby je ponownie naładować.
- ◆ Nie należy mieszać baterii różnych typów ani baterii nowych i używanych.
- ◆ Włożyć baterie z zachowaniem prawidłowej polaryzacji.
- ◆ Wyjąć zużyte baterie i pozbać się ich w bezpieczny sposób.
- ◆ Jeśli urządzenie nie będzie używane przed dłuższy czas, należy usunąć z niego baterie.

- ◆ Nie wolno dopuścić do zwarcia zacisków zasilania.
- ◆ Otworzyć pokrywę baterii pilota i włożyć dwie baterie 1,5 V AAA (strona ze sprężynką odpowiada biegunowi ujemnemu). Bieguny dodatni i ujemny baterii muszą być zgodne z biegunami dodatnimi i ujemnymi pilota.

Montaż podstawy:

- ◆ Aby zamontować podstawę, należy umieścić urządzenie do góry dnem.
- ◆ Złączyć podstawę z bazą.
- ◆ Przymocować podstawę za pomocą podkładki mocującej.
- ◆ Postawić urządzenie pozycji i sprawdzić poprawne działanie kół.

Montaż kół:

- ◆ Aby zamontować koła należy umieścić urządzenie do góry nogami.
- ◆ Włożyć 4 kółka (13) do czterech otworów.
- ◆ Postawić urządzenie w normalnej pozycji i sprawdzić poprawne działanie kół.

Montaż kratki i śmigła (FIG. 1 i 2):

- ◆ A) Zdjąć nakrętkę łopatek wentylatora (4) i podkładkę podtrzymującą kratkę (6) z głowicy wentylatora.
- ◆ B) Ustawić kratkę tylną (7) wentylatora zgodnie z położeniem wskazanym na tabliczce i dokręcić podkładkę mocującą (6) zgodnie z ruchem wskazówek zegara.
- ◆ C) Założyć łopatki wentylatora (5) na wał silnika, upewniając się, że sworzeń wału silnika znajduje się w jednej linii z rowkiem w łopatkę wentylatora, i dokręcić podkładkę mocującą łopatki wentylatora (4) w kierunku przeciwnym do ruchu wskazówek zegara.
- ◆ D) Zamocować pierścień ochronny (1) na kratce tylnej (7), a następnie zamontować kratkę przednią (3) (pierścień nebulizatora (2) na kratce przedniej będzie skierowany w dół). Zabezpieczyć śrubami.

INSTRUKCJE UŻYCIA

Przed pierwszym użyciem:

- ◆ Upewnić się, że z opakowania zostały wyjęte wszystkie elementy urządzenia.
- ◆ Przygotowanie urządzenia do pracy w zależności od czynności, którą chcemy wykonywać:

Użycie:

- ◆ Uwaga: Należy zachować ostrożność, aby uniknąć rozlania podczas przenoszenia urządzenia.
- ◆ Rozwinąć całkowicie kabel przed podłączeniem do gniazdka elektrycznego.
- ◆ Podłączyć urządzenie do prądu.
- ◆ Ustawić urządzenie w taki sposób, aby powietrze leciało w pożądanym kierunku.
- ◆ Włączyć urządzenie za pomocą przycisku On/Off.
- ◆ Wybrać funkcję.
- ◆ Wybrać moc.
- ◆ Wybrać prędkość.

Funkcja Wentylatora:

- ◆ Wybrać opcję wentylatora.
- ◆ Wybrać prędkość wentylatora.

Funkcja czasomierza:

- ◆ Możliwość kontrolowania czasu pracy urządzenia.
- ◆ Ustawić czas pracy za pomocą przycisków (1.3) lub wybierając opcję (S).
- ◆ Można wybrać od 1 do 12 godzin
- ◆ Jeśli naciśniemy przycisk „Timer” przy włączonym wentylatorze, na wyświetlaczu pojawi się pozostały czas.
- ◆ Zaprogramowany czas lub czas pozostający do końca pokaże się na panelu (A).
- ◆ Po uzyskaniu wybranej godziny urządzenie wyłączy się automatycznie.

Funkcja ruchu wahadłowego:

- ◆ Funkcja ruchu wahadłowego sprawia, że powietrze wylatujące z urządzenia pokrywa powierzchnię 75 stopni wokół urządzenia.
- ◆ Aby włączyć tę funkcję, należy nacisnąć przycisk ON/OFF ruchu wahadłowego (R) lub (1.6).
- ◆ Aby wyłączyć tę funkcję, należy ponownie nacisnąć przycisk ON/OFF ruchu wahadłowego (R) lub (1.6).
- ◆ TRYBY DZIAŁANIA
- ◆ Aby ustawić tryb wiatru (normalny, jałowy, naturalny), należy nacisnąć przycisk „Wind Mode” (P) lub (1.4).
- ◆ Gdy urządzenie jest włączane po raz pierwszy, wyświetlany jest tryb normalny wybrany domyślnie.
- ◆ Tryb Naturalny tworzy zmienne wzory wiatru, które symulują wiatr na zewnątrz.
- ◆ Tryb jałowy tworzy wzorce wiatru takie same jak w trybie naturalnym.
- ◆ Jeśli jednak wentylator jest ustawiony na średnią lub wysoką prędkość, po około 30 minutach wzorzec obniży

się o jeden poziom prędkości.

- ◆ Chłodzenie mgłą ultradźwiękową
- ◆ Aby włączyć mgłę ultradźwiękową, należy nacisnąć przycisk „M”. Wybrać natężenie przepływu mgły (niskie, średnie i wysokie), naciskając kilkakrotnie przycisk .

Po zakończeniu korzystania z urządzenia:

- ◆ Wyłączyć urządzenie za pomocą wyłącznika On/Off (O).
- ◆ Odłączyć urządzenie od sieci elektrycznej.
- ◆ Zwinąć kabel go w obudowie.
- ◆ Wyczyścić urządzenie.

Jak odprowadzić nadmiar wody (FIG.4)

- ◆ Uwaga: należy zachować ostrożność podczas spuszczenia nadmiaru wody, aby uniknąć niepotrzebnego rozlania. Zawsze spuszczać nadmiar wody w miejscu, w którym nie jest możliwe uszkodzenie okolicznych obszarów przez wodę.
- ◆ Podczas wyjmowania zbiornika na wodę nadmiar wody pozostaje w urządzeniu. Aby spuścić nadmiar wody, wykonaj poniższe czynności.
- ◆ Postawić na podłodze odpowiedni pojemnik, z którego będzie odprowadzany nadmiar wody.
- ◆ Odpływ znajduje się na styku podstawy i korpusu urządzenia.
- ◆ Podnieś urządzenie i delikatnie przechył do przodu nad pojemnikiem pod kątem 60-80 stopni, aby umożliwić spłynięcie wody.
- ◆ Usuń nadmiar wody.

Napełnianie zbiornika na wodę (FIG.4)

- ◆ Wyjmij zbiornik na wodę. (Rysunek 4.1)
- ◆ Odkręć czarną nakrętkę na spodzie. (Rysunek 4.2)
- ◆ Napełnij wodą i ponownie zakręć korek. (Rysunek 4.3)

CZYSZCZENIE

- ◆ Odłączyć urządzenie i pozostawić aż do ochłodzenia przed przystąpieniem do jakiegokolwiek czyszczenia.
- ◆ Aby zapobiec tworzeniu się kamienia, glonów i bakterii, co 3 dni należy czyścić zbiornik na wodę i części urządzenia, które mają kontakt ze stojącą wodą.
- ◆ Wyczyścić zbiornik na wodę i części urządzenia, które mają kontakt ze stojącą wodą, świeżą wodą z kranu i kilkoma kroplami środka czyszczącego.
- ◆ Usunąć osady kamienia lub osad, które mogły się utworzyć na ścianach zbiornika lub na powierzchniach wewnętrznych, i osuszyć je.

- ◆ do przedostania się wody ni innej cieczy do otworów wentylacyjnych, aby uniknąć uszkodzeń części mechanicznych znajdujących się we wnętrzu urządzenia.
- ◆ Nie zanurzać urządzenia w wodzie ni innej cieczy nie wkładać pod kran.
- ◆ Jeżeli urządzenie nie jest prawidłowo czyszczone, jego powierzchnia może ulec degradacji i wpłynąć na żywotność urządzenia, a nawet spowodować niebezpieczne sytuacje.

NIEPRAWIDŁOŚCI I NAPRAWA

- ◆ W razie awarii zanieść urządzenie do autoryzowanego Serwisu Technicznego. Nie próbować rozbierać urządzenia ani go naprawiać, ponieważ może to być niebezpieczne.

Dla urządzeń wyprodukowanych w Unii Europejskiej i w przypadku wymagań prawnych obowiązujących w danym kraju:

Ekologia i zarządzanie odpadami

- ◆ Materiały, z których wykonane jest opakowanie tego urządzenia, znajdują się w systemie zbierania, klasyfikacji oraz ich odzysku. Jeżeli chcecie Państwo się ich pozbyć, należy umieścić je w kontenerze przeznaczonym do tego typu materiałów.
- ◆ Produkt nie zawiera koncentracji substancji, które mogłyby być uznane za szkodliwe dla środowiska.



Symbol ten oznacza, że jeśli chcemy pozbyć się produktu po zakończeniu okresu użytkowania, należy oddać go do autoryzowanego punktu selektywnej zbiórki zużytego sprzętu elektrycznego i elektronicznego (WEEE).



Symbol ten oznacza, że produkt może posiadać wewnątrz baterie lub akumulatory, które to powinny zostać uprzednio wyjęte przed pozbyciem się produktu. Pamiętaj, że baterie/akumulatory powinny zostać złożone w specjalnych autoryzowanych kontenerach. Nie wrzucać ich do ognia.

Niniejsza informacja przedstawia charakterystyki odnoszące się do modelu ekologicznego:

(EU) No 206/2012 + (EU) 2016-2282.

BXMF75E	
Maksymalne natężenie przepływu wentylatora (F)	41,6 m ³ /min
Moc wykorzystywana przez wentylator (P)	42,0W
Wartość eksploatacyjna (SV) (zgodnie z IEC 60879)	1,0 (m ³ /min)/W
Pobór mocy w trybie gotowości (PSB)	0,3W
Sezonowe zużycie energii elektrycznej (Q)	13,8 kWh/ a
Poziom mocy akustycznej wentylatora (LWA)	56 dB(A)
Maksymalna prędkość powietrza (c)	2.8 m/s

Urządzenie spełniające wymogi Ustawy 2014/35/EU o Niskim Napięciu, Ustawy 2014/30/EU o Zgodności Elektromagnetycznej, Ustawy 2011/65/EU o gospodarce odpadami elektrycznymi i elektronicznymi i ustawy 2009/125/EC o urządzeniach konsumujących energię.

GWARANCJA I SERWIS TECHNICZNY

Ten produkt jest uznawany i chroniony prawną gwarancją zgodnie z obowiązującymi przepisami.

W celu wyegzekwowania swoich prawa lub interesów, należy udać się do dowolnego z naszych oficjalnych usług pomocy technicznej.

Najbliższy punkt można znaleźć, korzystając z poniższego linku: <http://www.2helpu.com/>

Można również poprosić o informacje, kontaktując się z nami (patrz ostatnia strona instrukcji).

Można też pobrać niniejszą instrukcję obsługi i jej aktualizacje na <http://www.2helpu.com/>

ΑΝΕΜΙΣΤΗΡΑΣ ΨΕΚΑΣΤΗΡΑΣ ΝΕΡΟΥ ΒΧΜF75E

Αξιότιμε πελάτη:

Σας ευχαριστούμε που αποφασίσατε να αγοράσετε ένα προϊόν μάρκας BLACK+DECKER

Η τεχνολογία, ο σχεδιασμός και η λειτουργία του, σε συνδυασμό με το γεγονός ότι το προϊόν πληροί τις αυστηρότερες προδιαγραφές ποιότητας θα σας εξασφαλίσουν πλήρη ικανοποίηση για πολύ καιρό.

ΟΔΗΓΙΕΣ ΚΑΙ ΠΡΟΕΙΔΟΠΟΙΗΣΕΙΣ ΑΣΦΑΛΕΙΑΣ

- ◆ Διαβάστε προσεκτικά το παρόν φυλλάδιο οδηγιών πριν χρησιμοποιήσετε το παρόν συσκευή, και φυλάξτε το για να το συμβουλευέστε στο μέλλον. Ο μη σεβασμός αυτών των οδηγιών μπορεί να προκαλέσει ατύχημα.
- ◆ Αυτή η συσκευή μπορεί να χρησιμοποιείτε από παιδιά ηλικίας 8 ετών και άνω, εάν βρίσκονται υπό την κατάλληλη επιτήρηση ή έχουν λάβει τις κατάλληλες οδηγίες για την ασφαλή χρήση της συσκευής και κατανοούν τους κινδύνους που ενέχει.
- ◆ Μην επιτρέπετε σε παιδιά να φροντίζουν για την καθαριότητα ή τη συντήρησή του χωρίς επίβλεψη.
- ◆ Η παρούσα συσκευή δεν είναι παιχνίδι. Τα παιδιά πρέπει να επιτηρούνται ώστε να επιτηρούνται ότι δεν παίζουν με τη συσκευή.
- ◆ Αν το καλώδιο τροφοδοσίας έχει πάθει ζημιά, πρέπει να αντικατασταθεί από τον κατασκευαστή, την υπηρεσία τεχνικής υποστήριξης ή εξειδικευμένο προσωπικό, για να αποφευχθούν τυχόν ζημιές.
- ◆ Βεβαιωθείτε ότι η συσκευή είναι αποσυνδεδεμένη από το ρεύμα πριν ξεκινήσετε οποιαδήποτε διαδικασία συναρμολόγησης ή εγκατάστασης.
- ◆ Αποσυνδέετε τη συσκευή από το ρεύμα όταν δεν χρησιμοποιείται, καθώς και πριν πραγματοποιήσετε οποιαδήποτε εργασία καθαρισμού, συντήρησης ή γεμίματος.
- ◆ Βεβαιωθείτε ότι ο ανεμιστήρας έχει αποσυνδεθεί από την πρίζα και μετά αφαιρέστε το προστατευτικό.
- ◆ Αυτή η συσκευή έχει σχεδιαστεί μόνο για οικιακή χρήση, όχι για επαγγελματική ή βιομηχανική χρήση.
- ◆ υψηλά επίπεδα υγρασίας μπορούν να ευνοήσουν την ανάπτυξη βιολογικών οργανισμών στην ατμόσφαιρα.
- ◆ Φροντίστε να μην υπάρχει υγρασία ή να μην βρέχεται η περιοχή γύρω από τον τον υγραντήρα. Σε περίπτωση υγρασίας, μειώστε τη ροή του υγραντήρα. Αν αυτό δεν είναι δυνατό, χρησιμοποιήστε τον κάνοντα διαλείμματα. Μην επιτρέπετε να υγρανθούν απορροφητικά υλικά,

όπως χαλιά, κουρτίνες ή κουβέρτες.

- ◆ Αποσυνδέστε τη συσκευή από το ρεύμα για να τη γεμίσετε και να την καθαρίσετε.
- ◆ Μην αφήνετε νερό στη δεξαμενή, όταν η συσκευή δεν χρησιμοποιείται.
- ◆ Αδειάστε και καθαρίστε τον υγραντήρα πριν από την αποθήκευση. Καθαρίστε τον υγραντήρα προτού τον ξαναχρησιμοποιήσετε.
- ◆ **ΠΡΟΕΙΔΟΠΟΙΗΣΗ:** Αν δεν ανανεώνεται το νερό, και η δεξαμενή δεν καθαρίζετε σωστά ανά 3 ημέρες, οι μικροοργανισμοί που υπάρχουν μέσα στο νερό ή στο περιβάλλον όπου χρησιμοποιείται ή αποθηκεύεται η συσκευή, μπορεί να αναπαραχθούν μέσα στη δεξαμενή νερού και να προωθηθούν στον αέρα, προκαλώντας μεγάλους κινδύνους για την υγεία.
- ◆ Αδειάζετε και ξαναγεμίζετε με καθαρό νερό τη δεξαμενή ανά τρεις ημέρες. Προτού τη γεμίσετε και πάλι, καθαρίστε το με νερό και μερικές σταγόνες απορρυπαντικού. Αφαιρέστε οποιεσδήποτε επικαθίσεις αλάτων ή οποιαδήποτε πλάκα έχουν δημιουργηθεί στα πλαινά της δεξαμενής ή στις εσωτερικές επιφάνειες, και στεγνώστε τα.

- ◆ Πριν συνδέσετε τη συσκευή στο ρεύμα, δοκιμάστε ότι την τάση που αναφέρεται στην πινακίδα χαρακτηριστικών συμπίπτει με την τάση του δικτύου ηλεκτρικής

ενέργειας.

- ◆ Συνδέστε τη συσκευή σε λήψης ρεύματος που αντέχει τουλάχιστον 10 αμπέρ.
- ◆ Το βύσμα του φορτιστή των μπαταριών πρέπει να συμπίπτει με την ηλεκτρική βάση λήψης ηλεκτρικού ρεύματος. Μην αλλάξετε την πρίζα. Μην χρησιμοποιείται μετασχηματιστές στο βύσμα της πρίζας.
- ◆ Τοποθετήστε τη συσκευή επάνω σε μια οριζόντια, ομαλή και σταθερή επιφάνεια που να αντέχει το βάρος της.
- ◆ δοκιμάστε ούτε η είσοδος ούτε και η έξοδος του αέρα φράσσονται πλήρως ή μερικώς από κουρτίνες, ρούχα, κ.λπ., επειδή θα αυξηθεί ο κίνδυνος πυρκαγιάς.
- ◆ Μην χρησιμοποιείτε κανέναν προγραμματιστή, χρονοδιακόπτη ή άλλη διάταξη για να ανάψει αυτομάτως.
- ◆ Μην χρησιμοποιείτε τη συσκευή όταν το ηλεκτρικό καλώδιο ή το βύσμα έχουν υποστεί ζημιά..
- ◆ Εάν κάποιο από τα περιβλήματα της συσκευής σπάσει, Αποσυνδέστε αμέσως τη συσκευή από το ρεύμα για να αποφύγετε πιθανότητα ηλεκτροπληξίας.
- ◆ Μην χρησιμοποιείτε τη συσκευή αν έχει πέσει στο δάπεδο, αν παρουσιάζει εμφανή φθορά, ή διαρροή.
- ◆ Μην τραβάτε από το καλώδιο. Ποτέ μην χρησιμοποιείτε το ηλεκτρικό καλώδιο για να σηκώσετε, να μεταφέρετε ή να αποσυνδέσετε τη συσκευή από την πρίζα.
- ◆ Μην τυλίγετε το καλώδιο γύρω από τη συσκευή.
- ◆ Ελέγχετε συχνά την κατάσταση του καλωδίου. Αν το καλώδιο παρουσιάζει φθορά ή έχει πιαστεί σε κάποιο αντικείμενο αυξάνεται ο κίνδυνος ηλεκτροπληξίας.
- ◆ Η συσκευή αυτή δεν ενδείκνυται για χρήση έξω στην ύπαιθρο.
- ◆ Ελέγχετε τακτικά το καλώδιο κι εάν έχει υποστεί ζημιά, μη χρησιμοποιείτε τη συσκευή.
- ◆ Μην χρησιμοποιείτε ούτε να φυλάσσετε τη συσκευή σε εξωτερικούς χώρους.
- ◆ Μην αγγίζετε το βύσμα σύνδεσης με υγρά χέρια.
- ◆ Μην αγγίζετε τα κινητά τμήματα της συσκευής, όταν λειτουργεί.
- ◆ Η θερμοκρασία των επιφανειών που είναι εύκολα προσβάσιμες μπορεί να είναι υψηλή όταν η συσκευή λειτουργεί

Χρήση και συντήρηση:

- ◆ Πριν χρησιμοποιήσετε τη συσκευή, ανοίξτε τελείως το καλώδιο.
- ◆ Μην χρησιμοποιείτε τη συσκευή αν τα εξαρτήματά της δεν είναι σωστά συναρμολογημένα.
- ◆ Μην χρησιμοποιείτε τη συσκευή, εάν τα εγκατεστημένα εξαρτήματα παρουσιάζουν ελαττώματα. Αντικαταστήστε τα αμέσως.

- ◆ Μη χρησιμοποιείται τη συσκευή αν δεν λειτουργεί ο διακόπτης έναρξης/παύσης λειτουργίας.
- ◆ Μη μετακινείται τη συσκευή ενώ χρησιμοποιείται.
- ◆ Μη χρησιμοποιείται τη συσκευή κεκλιμένη ούτε να την αναποδογυρίζετε.
- ◆ Μην ανατρέπετε τη συσκευή ενώ χρησιμοποιείται ή είναι συνδεδεμένη στο ρεύμα.
- ◆ Αν η συσκευή δεν πρόκειται να χρησιμοποιηθεί για κάποιο χρονικό διάστημα, αφαιρέστε τις μπαταρίες από το τηλεχειριστήριο.
- ◆ Διατηρήστε την παρούσα συσκευή μακριά από τα παιδιά ή/και τα άτομα με μειωμένες σωματικές, αισθητηριακές ή διανοητικές ικανότητες ή με έλλειψη εμπειρίας ή γνώσεων.
- ◆ Διατηρείτε τη συσκευή σε στεγνό μέρος, χωρίς σκόνη και απομακρυσμένο από το φως του ήλιου.
- ◆ Βεβαιωθείτε ότι το Σχάρα εξαιρισμού της συσκευής δεν παρεμποδίζεται από σκόνη, βρωμιά ή άλλα αντικείμενα.
- ◆ Διατηρείτε τη συσκευή σε καλή κατάσταση. Βεβαιωθείτε ότι τα κινητά τμήματα παραμένουν ευθυγραμμισμένα ή δεν έχουν φρακάρει, ότι δεν υπάρχουν σπασμένα εξαρτήματα ή άλλες συνθήκες που μπορούν να επηρεάσουν την ορθή λειτουργία της συσκευής.
- ◆ Μην αφήνετε αφύλακτη τη συσκευή όταν λειτουργεί. Έτσι θα εξοικονομήτε ενέργεια και θα επιμηκύνετε τη διάρκεια ζωής της.

Λειτουργία:

- ◆ Βεβαιωθείτε ότι η συσκευή ελέγχεται από εξειδικευμένο προσωπικό και ότι χρησιμοποιούνται αυθεντικά ανταλλακτικά ή εξαρτήματα.
- ◆ Μην προσπαθείτε να αποσυναρμολογήσετε ή να επισκευάσετε τη συσκευή, κι έτσι θα αποφύγετε κινδύνους.
- ◆ ΠΡΟΣΟΧΗ: Υπάρχει κίνδυνος πυρκαγιάς, ΝΑΙ ο καθαρισμός της συσκευής δεν γίνεται σύμφωνα με αυτές τις οδηγίες.
- ◆ Οποιαδήποτε μη ενδεδειγμένη χρήση ή χρήση αντίθετη προς τις οδηγίες χρήσης ακυρώνει την εγγύηση και ευθύνη του κατασκευαστή.

ΠΕΡΙΓΡΑΦΗ

1. Προστατευτικός δακτύλιος
2. Δακτύλιος ψεκασμού
3. Μπροστινό πλέγμα
4. Στεφάνη στήριξης
5. Έλικες
6. Προστατευτικός δακτύλιος
7. Πίσω πλέγμα

8. Κεφαλή/μωτέρ του ανεμιστήρα
9. Σωλήνας ψεκασμού
10. Βίδα στήριξης
11. Περίβλημα
12. Βάση
13. 4 τροχοί
14. Στεφάνη συγκράτησης της βάσης
15. Καπάκι δεξαμενής νερού

- A Ένδειξη χρονοδιακόπτη (ώρες)
 B Ένδειξη λειτουργίας αέρα «Αναμονή»
 C Ένδειξη λειτουργίας αέρα «Φυσική» 2
 D Ένδειξη ταχύτητας του αέρα «Μέτρια» 2
 E Ένδειξη ταχύτητας του αέρα «Χαμηλή» 1
 F Ένδειξη ροής ψεκασμού «Χαμηλή» 1
 G Ένδειξη λειτουργίας αέρα «Κανονική»
 H Ένδειξη τάλαντωσης
 I Ένδειξη ταχύτητας του αέρα «Υψηλή» 3
 J Φωτεινή ένδειξη χρονοδιακόπτη
 K Ένδειξη ροής ψεκασμού «Μέτρια» 2
 L Ένδειξη ροής ψεκασμού «Δυνατή» 3
 M Ρυθμίσεις ροής ψεκασμού
 O Έναρξη λειτουργίας/παύση λειτουργίας
 P Ρυθμίσεις της λειτουργίας του αέρα
 Q Ρυθμίσεις της ταχύτητας του ανεμιστήρα
 R Τάλαντωση ON/ OFF
 S Ρυθμίσεις του χρονοδιακόπτη ON/OFF

- 1.1 Ενεργοποίηση/απενεργοποίηση του ψεκασμού και ρυθμίσεις της ροής
- 1.2 Ρυθμίσεις της ταχύτητας του αέρα
- 1.3 Χρονοδιακόπτης ON/OFF, 1-12 ώρες
- 1.4 Ρυθμίσεις της λειτουργίας του αέρα
- 1.5 Ανεμιστήρας ενεργοποίηση/απενεργοποίηση
- 1.6 Τάλαντωση ON/ OFF

ΕΓΚΑΤΑΣΤΑΣΗ

- ◆ Βεβαιωθείτε ότι απομακρύνετε Η υλικό συσκευασίας από τη συσκευή.
- ◆ Βεβαιωθείτε ότι η Ανεμιστήρας είναι αποσυνδεδεμένη από το ρεύμα πριν ξεκινήσετε οποιαδήποτε διαδικασία συναρμολόγησης ή εγκατάστασης.
- ◆ Μην αφαιρέσετε τα πόδια ή τους τροχούς από τη συσκευή.
- ◆ Ελέγξτε ότι η συσκευή δεν έχει κλίση.
- ◆ Μην καλύπτετε ή φράσσετε τα ανοίγματα της συσκευής.

- ♦ Το βύσμα πρέπει να είναι εύκολα προσβάσιμο ώστε να μπορείτε να την αποσυνδέσετε σε περίπτωση έκτακτης ανάγκης.
- ♦ Η συσκευή πρέπει να λειτουργεί με τη βάση της σωστά χτυπά.
- ♦ Η συσκευή πρέπει να χρησιμοποιείται με τοποθετημένες τις ρόδες.

Οδηγίες για την αντικατάσταση της μπαταρίας του τηλεχειριστηρίου (Fig. 3)

- ♦ Μην προσπαθήσετε να επαναφορτίσετε τις μη επαναφορτιζόμενες μπαταρίες.
- ♦ Αφαιρέστε τις επαναφορτιζόμενες μπαταρίες από τη συσκευή για να προβείτε στην επαναφόρτισή τους.
- ♦ Μην αναμειγνύεται μπαταρίες διαφορετικών ειδών ούτε καινούργιες και χρησιμοποιημένες μπαταρίες.
- ♦ Τοποθετήστε τις μπαταρίες με τη σωστή πολικότητα.
- ♦ Αφαιρέστε τις εξαντλημένες μπαταρίες και απορρίψτε τις με ασφαλή τρόπο.
- ♦ Αν δεν χρησιμοποιήσετε τη συσκευή για μεγάλη χρονική περίοδο, αφαιρέστε τις μπαταρίες.
- ♦ Τα θερματικά τροφοδοσίας δεν πρέπει να βραχυκυκλώσουν.
- ♦ Ανοίξετε το καπάκι του τηλεχειριστηρίου και τοποθετήστε δύο μπαταρίες AAA του 1,5 V (η πλευρά με το ελατήριο αντιστοιχεί στον αρνητικό πόλο). Οι δύο πόλοι, ο θετικός και ο αρνητικός, της μπαταρίας πρέπει να συμπίπτουν με τους αντίστοιχους θετικό και αρνητικό του τηλεχειριστηρίου.

Συναρμολόγηση της βάσης:

- ♦ Για τη συναρμολόγηση της βάσης, τοποθετήστε τη συσκευή ανάποδα.
- ♦ Τοποθετήστε τη βάση στο σώμα της συσκευής.
- ♦ Στερεώστε τη βάση με τη στεφάνη συγκράτησης.
- ♦ Ισιώστε τη συσκευή και ελέγξτε ότι οι τροχοί στερέωση σωστά.

Συναρμολόγηση των τροχών:

- ♦ Για να συναρμολογήσετε τους τροχούς, γυρίστε ανάποδα τη συσκευή.
- ♦ Εισαγάγετε τους 4 τροχούς (13) στις τέσσερις τρύπες.
- ♦ Γυρίστε τη συσκευή και πάλι στην όρθια θέση και επαληθεύστε την καλή λειτουργία των τροχών.

Συναρμολόγηση του πλέγματος και της έλικας (FIG. 1 και 2):

- ♦ Α) Αφαιρέστε το παξιμάδι των πτερυγίων από τον ανεμιστήρα

στήρα (4) και τη στεφάνη συγκράτησης του πλέγματος (6) από την κεφαλή του ανεμιστήρα.

- ♦ Β) Ευθυγραμμίστε το πίσω πλέγμα (7) του ανεμιστήρα ανάλογα με τη θέση του ελάσματος και σφίξτε τη στεφάνη συγκράτησης (6) προς τη φορά των δεικτών του ρολογιού.
- ♦ C) Ενώστε τα πτερύγια (5) με τον άξονα, φροντίζοντας ο κρίκος του άξονα του μοτέρ να έχει ευθυγραμμιστεί με τη σχισμή των πτερυγίων του ανεμιστήρα και πιέστε τη στεφάνη συγκράτησης των πτερυγίων του ανεμιστήρα (4) προς την αντίθετη φορά των δεικτών του ρολογιού.
- ♦ D) Στηρίξτε τον προστατευτικό δακτύλιο (1) στο πίσω πλέγμα (7), και στη συνέχεια συναρμολογήστε το μπροστινό πλέγμα (3) [ο δακτύλιος ψεκασμού (2) στο μπροστινό πλέγμα θα είναι προσανατολισμένος προς τα κάτω]. Ασφαλίστε με τις βίδες.

ΟΔΗΓΙΕΣ ΧΡΗΣΗΣ

Πριν την πρώτη χρήση:

- ♦ Βεβαιωθείτε ότι έχετε αφαιρέσει τα υλικά συσκευασίας του προϊόντος
- ♦ Προετοιμάστε τη συσκευή σύμφωνα με τη λειτουργία που θέλετε να χρησιμοποιήσετε:

Χρήση:

- ♦ Προσοχή: Πρέπει να λαμβάνεται μέριμνα για την αποφυγή διαρροής κατά τη μετακίνηση της συσκευής.
- ♦ Ξετυλίξτε τελείως το καλώδιο πριν συνδέσετε τη συσκευή στο ρεύμα.
- ♦ Συνδέστε τη συσκευή στο ρεύμα.
- ♦ Αλλάξτε τον προσανατολισμό της συσκευής ώστε η ροή του αέρα να κατευθύνεται προς την επιθυμητή κατεύθυνση.
- ♦ Θέστε τη συσκευή σε λειτουργία, χρησιμοποιώντας το κουμπί on/off
- ♦ Επιλέξτε την επιθυμητή λειτουργία.
- ♦ Επιλέξτε την επιθυμητή ισχύ.
- ♦ Επιλέξτε την ταχύτητα.

Λειτουργία ανεμιστήρα:

- ♦ Επιλέξτε τη λειτουργία ανεμιστήρα.
- ♦ Επιλέξτε την ταχύτητα του ανεμιστήρα.

Λειτουργία χρονοδιακόπτη:

- ♦ Μπορείτε να ελέγχετε τον χρόνο λειτουργίας της συσκευής.

- ♦ Προγραμματίστε τον χρόνο λειτουργίας με τα κουμπιά (1.3) ή επιλέγοντας (S).
- ♦ Μπορείτε να τον επιλέξετε από 1 έως 12 ώρες.
- ♦ Αν πατήσετε το κουμπί «Timer» με αναμμένο τον ανεμιστήρα, η οθόνη θα δείξει τον χρόνο που απομένει.
- ♦ Ο προγραμματισμένος χρόνος ή ο υπολειπόμενος χρόνος θα εμφανίζονται στην οθόνη (A).
- ♦ Όταν η συσκευή φτάσει στην επιλεγμένη ώρα, θα σταματήσει αυτόματα.

Λειτουργία περιστροφής:

- ♦ Η λειτουργία περιστροφής επιτρέπεται να κατευθύνεται η ροή του αέρα που βγαίνει από τη συσκευή με τρόπο ώστε να καλύπτεται εκ περιτροπής και αυτόματα μια ακτία έως 75°.
- ♦ Για να ενεργοποιήσετε αυτήν τη λειτουργία, πατήστε το κουμπί ταλάντωσης (R) ή (1.6).
- ♦ Για να την απενεργοποιήσετε, πατήστε και πάλι το κουμπί on/off της λειτουργίας ταλάντωσης (R) ή (1.6).
- ♦ ΤΡΟΠΟΙ ΛΕΙΤΟΥΡΓΙΑΣ
- ♦ Για να ρυθμίσετε τη λειτουργία αέρα (κανονική, αναμονή, φυσική), πατήστε το κουμπί «Wind Mode» (P) ή (1.4).
- ♦ Όταν ανάβετε τη συσκευή για πρώτη φορά, εμφανίζεται η κανονική λειτουργία ως προεπιλογή.
- ♦ Η «Φυσική» λειτουργία δημιουργεί κυμαινόμενες ροές αέρα που προσομοιάζουν τον αέρα στην ύπαιθρο.
- ♦ Η λειτουργία αναμονής δημιουργεί ροές αέρα ίδιες με τις ροές της φυσικής λειτουργίας.
- ♦ Ωστόσο, όταν ο ανεμιστήρας ρυθμιστή στη μέτρια ή υψηλή ταχύτητα, η ροή του αέρα υποβιβάζεται κατά ένα επίπεδο την ταχύτητα μετά από περίπου 30 λεπτά.
- ♦ Ψύξη με ψεκασμό υπέρηχων
- ♦ Για να ενεργοποιήσετε τον ψεκασμό υπέρηχων, πατήστε το κουμπί «M». Επιλέξτε τη ροή του ψεκασμού (χαμηλή, μέτρια και δυνατή) πατώντας το κουμπί περισσότερες φορές.

Αφού ολοκληρωθεί η χρήση της συσκευής:

- ♦ Σταματήστε τη συσκευή με τον διακόπτη ενεργοποίησης/απενεργοποίησης (O).
- ♦ Αποσυνδέστε τη συσκευή από το ρεύμα.
- ♦ Μαζέψτε το καλώδιο και τοποθετήστε το στη θήκη για το καλώδιο.
- ♦ Καθαρίζετε τη συσκευή.

Πώς να αποστραγγίσετε τυχόν πλεονάζον νερό

- ♦ Προσοχή: πρέπει να δίνεται προσοχή κατά την απο-

στράγγιση της περίσσειας νερού για να αποφευχθεί η άσκοπη διαρροή. Πάντα να αποστραγγίζετε την περίσσεια νερού σε χώρο όπου δεν είναι δυνατή η ζημιά από το νερό στις γύρω περιοχές.

- ♦ Κατά την αφαίρεση του δοχείου νερού, η περίσσεια νερού παραμένει στη συσκευή. Για να στραγγίξετε το υπερβολικό νερό, ακολουθήστε τα παρακάτω βήματα.
- ♦ Τοποθετήστε ένα κατάλληλο δοχείο στο πάτωμα για να στραγγίξετε το υπερβολικό νερό.
- ♦ Η αποχέτευση βρίσκεται στην ένωση της βάσης και του κύριου σώματος της συσκευής.
- ♦ Ανασηκώστε τη συσκευή και αναποδογυρίστε απαλά προς τα εμπρός πάνω από το δοχείο σε γωνία 60-80 μοιρών για να στραγγίξει το νερό.
- ♦ Απορρίψτε την περίσσεια νερού.

Γέμισμα της δεξαμενής νερού (FIG. 4)

- ♦ Wyjmij zbiornik na wodę. (Rysunek 4.1)
- ♦ Odkręć czarna nakrętkę na spodzie. (Rysunek 4.2)
- ♦ Napełnij wodą i ponownie zakręć korek. (Rysunek 4.3)

ΚΑΘΑΡΙΟΤΗΤΑ

- ♦ Αποσυνδέστε τη συσκευή από το ρεύμα και αφήστε τη να κρυώσει πριν πραγματοποιήσετε οποιαδήποτε διαδικασία καθαρισμού.
- ♦ Aby zarobiec tworzeniu się kamienia, glonów i bakterii, co 3 dni należy czyścić zbiornik na wodę i części urządzenia, które mają kontakt ze stojącą wodą.
- ♦ Wyczyść zbiornik na wodę i części urządzenia, które mają kontakt ze stojącą wodą, świeżą wodą z kranu i kilkoma kroplami środka czyszczącego.
- ♦ Αφαιρέστε οποιοδήποτε επικαθίσες αλάτων ή οποιαδήποτε πλάκα έχουν δημιουργηθεί στα πλαϊνά της δεξαμενής ή στις εσωτερικές επιφάνειες, και στεγνώστε τα.
- ♦ Εμποδίζει την την είσοδο του νερού ή άλλο υγρό από τα ανοίγματα εξερισμού για να αποφύγετε ζημιές στα λειτουργικά τμήματα στο εσωτερικό της συσκευής.
- ♦ Μην εμβαπτίζετε ποτέ τη συσκευή σε νερό ή άλλο υγρό ούτε να τη βάζετε κάτω από τη βρύση.
- ♦ Τυχόν λάθος καθαρισμός μπορεί να χαλάσει την επιφάνεια της συσκευής, να μειώσει τη διάρκεια ζωής της, ακόμη και να οδηγήσει σε επικίνδυνες καταστάσεις.

ΠΡΟΒΛΗΜΑΤΑ ΚΑΙ ΕΠΙΣΚΕΥΕΣ

- ♦ Σε περίπτωση βλάβης, μεταφέρετε τη συσκευή σε εγκε-

κριμένη υπηρεσία τεχνικής βοήθειας. Μην προσπαθήσετε να την αποσυναρμολογήσετε ή να την επισκευάσετε μόνος σας γιατί μπορεί να εκτεθείτε σε κίνδυνο.

Για προϊόντα της Ευρωπαϊκής Ένωσης και/ή σε περίπτωση που αυτό απαιτεί η νομοθεσία στη χώρα προέλευσης:

Οικολογία και ανακυκλωσιμότητα του προϊόντος

- ♦ Τα υλικά συσκευασίας αυτής της συσκευής έχουν ενταχθεί σε σύστημα αποκομιδής, ταξινόμησης και ανακύκλωσης συσκευασιών. Αν θέλετε να απαλλαγείτε από αυτά τα υλικά, μπορείτε να χρησιμοποιήσετε τους δημόσιους κάδους που ενδείκνυνται για κάθε είδος υλικού.
- ♦ Το προϊόν δεν περιέχει συγκεντρώσεις ουσιών που μπορούν να θεωρηθούν επιζήμιες για το περιβάλλον.



Αυτό το σύμβολο σημαίνει ότι σε περίπτωση που θέλετε να πετάξετε το προϊόν, αφού έχει ολοκληρώσει την ωφέλιμη ζωή του, θα πρέπει να το μεταφέρετε σε εξουσιοδοτημένο φορέα διαχείρισης αποβλήτων για την επιλεκτική συλλογή αποβλήτων ειδών ηλεκτρικού και ηλεκτρονικού εξοπλισμού (ΑΗΗΕ).



Αυτό το σύμβολο σημαίνει ότι το προϊόν μπορεί να περιέχει μπαταρίες στο εσωτερικό του, οι οποίες πρέπει να αφαιρεθούν πριν πετάξετε το προϊόν. Να θυμάστε ότι οι μπαταρίες πρέπει να απορρίπτονται σε ειδικούς, εγκεκριμένους κάδους απορριμμάτων. Μην τις πετάτε στη φωτιά.

Στις παρακάτω πληροφορίες περιγράφονται διεξοδικά τα χαρακτηριστικά που αφορούν τον οικολογικό σχεδιασμό: (EU) No 206/2012 + (EU) 2016-2282.

BΧΜF75E	
Μέγιστη ροή αέρα του ανεμιστήρα (F)	41,6 m ³ /min
Ισχύς εισόδου του ανεμιστήρα (P)	42,0 W
Τιμή λειτουργίας (SV) (σύμφωνα με το IEC 60879)	1,0 (m ³ /min)/W
Κατανάλωση ενέργειας σε κατάσταση αναμονής (PSB)	0,3 W
Εφεδρική κατανάλωση ηλεκτρικής ενέργειας (Q)	13,8 kWh/έτος
Στάθμη ακουστικής ισχύς του ανεμιστήρα (LWA)	56 dB(A)
Μέγιστη ταχύτητα αέρα (c)	2,8 m/s

Το παρόν προϊόν συμμορφώνεται με την οδηγία 2014/35/EU χαμηλής τάσης, με την οδηγία 2014/30/EU για την ηλεκτρομαγνητική συμβατότητα, με την οδηγία 2011/65/EU για τον περιορισμό της χρήσης ορισμένων επικίνδυνων ουσιών σε ηλεκτρικό και ηλεκτρονικό εξοπλισμό και με την οδηγία 2009/125/EC για τις απαιτήσεις οικολογικού σχεδιασμού όσον αφορά τα συνδεδεμένα με την ενέργεια προϊόντα.

ΕΓΓΥΗΣΗ ΚΑΙ ΤΕΧΝΙΚΗ ΥΠΟΣΤΗΡΙΞΗ

Το παρόν προϊόν αναγνωρίζεται και προστατεύεται από τη νόμιμη εγγύηση συμμόρφωσης προς την ισχύουσα νομοθεσία.

Για να διεκδικήσετε τα δικαιώματά ή συμφέροντά σας πρέπει να απευθυνθείτε σε οποιοδήποτε από τα επίσημα γραφεία μας τεχνικής υποστήριξης.

Για να βρείτε το πιο κοντινό σε εσάς, ανατρέξτε στην ιστοσελίδα: <http://www.2helpu.com/>

Μπορείτε επίσης να ζητήσετε πληροφορίες, επικοινωνώντας μαζί μας (συμβουλευτείτε την τελευταία σελίδα του εγχειριδίου).

Μπορείτε να «κατεβάσετε» από το διαδίκτυο το παρόν εγχειρίδιο οδηγιών και τις σχετικές ενημερώσεις του στο <http://www.2helpu.com/>

ВЕНТИЛЯТОР С УВЛАЖНИТЕ- ЛЕМ ВОЗДУХА VXMF75E

Уважаемый клиент!

Благодарим за выбор продукции торговой марки BLACK+DECKER.

Он выполнен с применением передовых технологий, имеет элегантный дизайн, надежную конструкцию и превышает наиболее требовательные стандарты качества, что обеспечит полное соответствие вашим требованиям и продолжительный срок службы.

ИНСТРУКЦИЯ ПО ТЕХНИКЕ БЕЗОПАСНОСТИ

- ◆ Внимательно прочтите эту инструкцию перед включением электроприбора и сохраните ее для использования в будущем. Ненадлежащее соблюдение этой инструкции может быть причиной несчастного случая.
- ◆ Данное устройство может использоваться детьми старше 8 лет, лицами с ограниченными физическими, сенсорными или умственными возможностями, а также лицами, не обладающими соответствующим опытом или знаниями, только под присмотром или после проведения инструктажа по безопасному использованию устройства и с пониманием связанных с ним опасностей.
- ◆ Дети не должны выполнять чистку или ухаживать за прибором без присмотра старших.
- ◆ Прибор не является игрушкой. Необходимо следить за детьми, чтобы они не играли с ним.
- ◆ Если шнур питания поврежден, он должен быть заменен производителем, агентом по техническому обслуживанию или другим квалифицированным специалистом во избежание опасности.
- ◆ Перед началом любой установки или сборки прибора, убедитесь, что вентилятор отключен от электросети.
- ◆ Отсоедините электроприбор от сети после использования или для его чистки, выполнения технического обслуживания или наполнения водой.
- ◆ Перед тем, как убрать защитную решетку, убедитесь, что вентилятор отключен от электросети.
- ◆ Этот прибор предназначен только для домашнего, а не профессионального или промышленного использования.
- ◆ Обратите внимание, что высокий уровень влажности может способствовать росту биологических организмов в окружающей среде.
- ◆ Следите за тем, чтобы область вокруг увлажнителя воздуха не была влажной или мокрой. При появлении сырости снизьте мощность.

ность увлажнителя воздуха. Если выходную мощность увлажнителя нельзя уменьшить, используйте увлажнитель с перерывами. Не допускайте намокания впитывающих материалов, таких как ковры, шторы, портьеры или скатерти.

- ◆ Отключайте прибор от сети во время заполнения и очистки.
- ◆ Никогда не оставляйте воду в резервуаре, если прибор не используется.
- ◆ Перед тем, как поместить прибор на хранение, опорожните и очистите резервуар для воды. Очистите увлажнитель перед следующим использованием.
- ◆ **ВНИМАНИЕ:** Если вода не обновляется, а резервуар тщательно не очищается каждые 3 дня, микроорганизмы, которые могут присутствовать в воде или в окружающей среде, где используется или хранится прибор, могут размножиться в резервуаре для воды и переноситься в воздух, создавая очень серьезные риски для здоровья.
- ◆ Опорожняйте резервуар и наполняйте новой водой его каждые три дня. Перед повторным заполнением промойте его водопроводной водой с добавлением нескольких капель моющего средства. Удали-

те накипь, отложения или пленку, образовавшуюся на стенках резервуара или на внутренних поверхностях, и протрите все поверхности насухо.

- ◆ Прежде чем включить прибор, убедитесь, что напряжение на этикетке соответствует напряжению электросети.
- ◆ Подключите электроприбор к розетке, рассчитанной на ток не менее 10 ампер.
- ◆ Сетевая вилка должна подходить к розетке. Не допускается вносить изменения в вилку сетевого шнура. Не допускается также использовать переходники для розетки.
- ◆ Чтобы использовать прибор, его нужно установить на ровную и устойчивую поверхность.
- ◆ Убедитесь, что доступ к воздуху и выход воздуха не закрыты ни полностью ни частично шторами, одеждой, и т.п., так как увеличивается риск возникновения пожара.
- ◆ не используйте прибор вместе с устройствами программирования, таймерами или другими устройствами, которые могут автоматически включить его.
- ◆ Не допускается эксплуатировать электроприбор с поврежденным шнуром или вилкой питания.
- ◆ При любом повреждении поверхности электроприбора немедленно отключите его от сети, чтобы избежать поражения электрическим током.
- ◆ Не допускается использовать прибор после падения на пол, если на нем имеются видимые следы повреждений или протечка.
- ◆ Не тяните за шнур питания. Не допускается использовать шнур питания, чтобы поднимать или переносить электроприбор, вынимать вилку из розетки, потянув за шнур.
- ◆ Не накручивайте сетевой шнур на прибор.
- ◆ Проверьте состояние шнура питания. Поврежденный или запутанный шнур может быть причиной поражения электрическим током.
- ◆ Данный прибор не предназначен для использования вне дома.
- ◆ Сетевой шнур нужно периодически проверять, чтобы не допустить использование прибора с поврежденным шнуром питания.
- ◆ Не допускается использовать или хранить электроприбор на открытом воздухе.
- ◆ Не прикасайтесь к вилке влажными руками.
- ◆ не прикасайтесь к подвижным частям во время

работы прибора.

- ◆ Температура поверхности включенного электроприбора может быть очень горячей.

Использование и уход

- ◆ Перед каждым использованием прибора полностью разворачивайте шнур питания.
- ◆ Не допускается эксплуатировать прибор, если насадки не установлены должным образом.
- ◆ Не используйте прибор с неисправными насадками. Их следует немедленно заменить.
- ◆ Не допускается эксплуатировать электроприбор с неисправным выключателем питания.
- ◆ Не перемещайте прибор во время использования.
- ◆ Не допускается использовать прибор в наклонном положении.
- ◆ Не переворачивайте прибор, если он используется или подключен к сети.
- ◆ Извлеките батарейки из дистанционного управления, если вы не собираетесь использовать его в ближайшее время.
- ◆ Храните этот прибор вне досягаемости детей и/или лиц с ограниченными физическими, сенсорными или умственными возможностями, а также тех, кто не знаком с правилами его использования.
- ◆ Храните прибор в сухом, защищенном от пыли и солнечных лучей месте.
- ◆ Убедитесь, что пыль, грязь или другие посторонние объекты не блокируют вентиляционную решетку прибора.
- ◆ Поддерживайте прибор в надлежащем рабочем состоянии. Проверьте, чтобы не было перекосов и заедания подвижных частей, не было поломанных деталей и прибор работал исправно.
- ◆ Не оставляйте включенный электроприбор без присмотра. Это сохранит электроэнергию и продлит срок его службы.

Сервисное обслуживание:

- ◆ Ремонтировать прибор разрешается только квалифицированным специалистам с использованием только оригинальных запасных частей.
- ◆ Не допускается разбирать или ремонтировать прибор, так как это небезопасно.
- ◆ **МЕРЫ ПРЕДОСТОРОЖНОСТИ:** Очистка прибора должна осуществляться согласно данным инструкциям, так как в противном случае существует повышенный риск возникновения пожара.
- ◆ Любое неправильное использование или несоблюдение инструкций автоматически приводит к

аннулированию гарантии и снятию ответственности производителя.

ОПИСАНИЕ

1. Защитное крепление
2. Выходное отверстие увлажнителя
3. Передняя часть вентилятора
4. Крепление лопастей
5. Пропеллер лопастей вентилятора
6. Защитное крепление
7. Задняя часть вентилятора
8. Головка вентилятора/двигатель
9. Гибкий шланг увлажнителя
10. Крепежный винт
11. Отсек для хранения
12. Тяжелое круглое основание в качестве подставки
13. 4 колесика
14. Напольное крепление
15. Крышка для резервуара с водой

A Дисплей таймера (часы)

B Дисплей спящего режима обдува

C Дисплей естественного режима обдува

D Дисплей средней скорости обдува 2

E Дисплей слабой скорости обдува 1

F Дисплей слабого увлажнения воздуха 1

G Дисплей нормального режима обдува

H Дисплей функции колебания

I Дисплей сильной скорости обдува 3

J Световой индикатор таймера

K Дисплей среднего увлажнения воздуха 2

K Дисплей сильного увлажнения воздуха 2

M Настройки мощности увлажнения

O Индикатор ВКЛ/ВЫКЛ

P Настройки режима обдува

Q Настройки скорости вентилятора

R Режим колебания ВКЛ/ВЫКЛ

S Настройки ВКЛ/ВЫКЛ таймера

1.1 Настройки увлажнитель ВКЛ/ВЫКЛ и настройки мощности увлажнения

1.2 Настройки скорости обдува

1.3 Таймер ВКЛ/ВЫКЛ, 1-12 часов

1.4 Настройки режима обдува

1.5 Вентилятор ВКЛ/ВЫКЛ

1.6 Режим колебания ВКЛ/ВЫКЛ

УСТАНОВКА

- ◆ Убедитесь в том, что вы вынули все упаковочные материалы из прибора.
- ◆ Перед началом любой установки или сборки прибора, убедитесь, что вентилятор выключен и отсоединен от электросети.
- ◆ Не снимайте опорные ножки или колеса с прибора.
- ◆ Следите за тем, чтобы прибор стоял ровно относительно пола.
- ◆ Не накрывайте и не заграждайте отверстия прибора.
- ◆ Штепсельная вилка должна быть легко доступна, чтобы в случае необходимости ее можно было бы отсоединить.
- ◆ Прибор должен использоваться с установленной должным образом подставкой.
- ◆ Прибор должен использоваться с установленными должным образом колесиками.

Инструкции по замене батареек в пульте дистанционного управления (Fig. 3)

- ◆ Неперезаряжаемые батарейки не следует перезаряжать.
- ◆ Перед зарядкой батарейки следует вынуть из прибора.
- ◆ Нельзя смешивать разные типы батареек, а также новые и бывшие в употреблении батарейки.
- ◆ Вставляйте батарейки, соблюдая полярность.
- ◆ Разряженные батареи следует извлечь из прибора и безопасно утилизировать.
- ◆ Если прибор не будет использоваться в течение длительного периода времени, то следует извлечь из него батарейки.
- ◆ Клеммы питания не должны замыкаться накоротко.
- ◆ Откройте крышку отсека для батареек на пульте дистанционного управления, возьмите две батарейки типа AAA 1,5 В и вставьте их (в пульте дистанционного управления конец с пружиной является отрицательным полюсом). Положительный и отрицательный полюсы батареек должны быть установлены в соответствии с положительным и отрицательным полюсами пульта дистанционного управления.

Сборка опорных ножек:

- ◆ Чтобы зафиксировать основание прибора, положите прибор фронтальной стороной вниз.
- ◆ Присоедините опорные ножки к основному корпусу прибора.

- ◆ Закрепите основание с помощью напольного крепления.
- ◆ Поднимите прибор, чтобы проверить, что опорные ножки установлены должным образом.

Установка колесиков:

- ◆ Для установки колес переверните прибор.
- ◆ Вставьте 4 колесика (13) в четыре отверстия.
- ◆ Поставьте прибор в исходное положение и убедитесь в том, что он колесика должным образом.

Сборка решетки и пропеллера (FIG. 1 и 2)

- ◆ А) снимите крепление лопастей вентилятора (4) и защитное крепление (6) на головке вентилятора,
- ◆ В) совместите заднюю часть вентилятора (7) с положением платы и установите его, затяните защитное крепление (6) по часовой стрелке и закрепите заднюю часть вентилятора,
- ◆ С) Установите пропеллер лопастей вентилятора (5) на вал двигателя, обратив внимание на то, чтобы штифт вала двигателя был совмещен с прорезью на лопасти вентилятора. Затем затяните крепление лопастей вентилятора (4) на валу двигателя, поворачивая против часовой стрелки..
- ◆ D) Установите защитное крепление (1) на заднюю часть вентилятора (7), а затем установите переднюю часть вентилятора (3) (выходное отверстие увлажнителя (2) на передней части вентилятора должно быть направлено вниз); лучше всего затянуть винты корпуса вентилятора.

ИНСТРУКЦИЯ ПО ЭКСПЛУАТАЦИИ

Перед использованием:

- ◆ Убедитесь в том, что вы полностью распаковали прибор.
- ◆ Подготовьте электроприбор к работе.

Использование:

- ◆ Предупреждение. Следует соблюдать осторожность, чтобы не пролить жидкость при перемещении прибора.
- ◆ Полностью разверните кабель перед подключением к сети.
- ◆ Подключите прибор к электросети.
- ◆ Установите прибор для подачи потока воздуха в желаемом направлении.

- ◆ Включите прибор с помощью выключателя;
- ◆ Выберите нужную функцию с помощью переключателя.
- ◆ Выберите необходимую мощность.
- ◆ Выберите желаемую скорость.

Функции вентилятора:

- ◆ Выберите функцию вентилятора.
- ◆ Выберите желаемую скорость вентилятора.

Функция таймера:

- ◆ Время работы прибора можно контролировать.
- ◆ Чтобы задать время работы, сделайте это, используя кнопку (S) или (1.3).
- ◆ Вы можете выбрать от 1 до 12 часов.
- ◆ Если нажать кнопку «Таймер», когда вентилятор включен, на дисплее отобразится оставшееся время.
- ◆ Запрограммированное или оставшееся время появится на дисплее (A).
- ◆ По истечении заданного времени прибор выключится автоматически.

Функция осцилляции:

- ◆ Функция качания позволяет направлять поток от прибора так, что он автоматически изменяет направление в пределах 75°.
- ◆ Чтобы активировать эту функцию, нажмите on/off кнопку (R) или (1.6).
- ◆ Чтобы отключить эту функцию, снова нажмите кнопку включения/выключения колебания (R) или (1.6).
- ◆ РЕЖИМЫ
- ◆ Нажмите кнопку «Режим обдува» (P) или (1.4), чтобы установить режим обдува (нормальный, спящий, естественный).
- ◆ Нормальный режим устанавливается по умолчанию при первом включении устройства.
- ◆ Режим естественного обдува создает переменный обдув, чтобы имитировать переменные ветры, которые мы наблюдаем в природе.
- ◆ Спящий режим создает те же типа обдува, как и при режиме естественного
- ◆ обдува. Тем не менее, когда вентилятор настроен на среднюю или высокую скорость, скорость
- ◆ обдува снизится примерно через 30 минут.
- ◆ Охлаждение при помощи ультразвукового увлажнения
- ◆ Нажмите кнопку настроек «M», чтобы включить ультразвуковое увлажнение: вы можете выбрать

мощность увлажнения (низкая, средняя и высокая), нажав на кнопку несколько раз.

По окончании использования прибора:

- ◆ Выключите прибор, используя переключатель on/off (O).
- ◆ Отключите прибор от сети.
- ◆ Уложите кабель в отсек для хранения.
- ◆ Очистите прибор.

Как слить избыток воды

- ◆ Внимание: следует соблюдать осторожность при сливе лишней воды, чтобы избежать ненужного проливания. Всегда сливайте лишнюю воду в место, где вода не может нанести вред окружающим участкам.
- ◆ При извлечении резервуара для воды в приборе остается лишняя вода. Чтобы слить эту лишнюю воду, выполните следующие действия.
- ◆ Поставьте на пол подходящую емкость для слива лишней воды.
- ◆ Слив расположен на стыке основания и основного корпуса прибора.
- ◆ Поднимите прибор и аккуратно наклоните его вперед над емкостью под углом 60-80 градусов, чтобы вода могла стечь.
- ◆ Удалите лишнюю воду.

Заполнение резервуара для воды (FIG.4)

- ◆ Снимите резервуар для воды. (Рисунок 4.1)
- ◆ Отвинтите черный колпачок на нижней стороне. (Рисунок 4.2)
- ◆ Залейте водой и снова закрутите крышку. (Рисунок 4.3)

ОЧИСТКА

- ◆ До того, как выполнять очистку прибора, отсоедините его от сети и дайте ему остыть.
- ◆ Чтобы предотвратить образование накипи, водорослей и бактерий, очищайте резервуар для воды и части прибора, контактирующие со стоячей водой, каждые 3 дня.
- ◆ Clean the water tank and parts of the appliance that are in contact with standing water with fresh tap water and a few drops of cleaning detergent.
- ◆ добавлением нескольких капель моющего средства.
- ◆ Удалите накипь, отложения или пленку, образовавшуюся на стенках резервуара или на внутренних поверхностях, и протрите все поверхности насухо.

- ◆ Не допускайте попадания внутрь через отверстия для прохождения воздуха воды или иной жидкости, чтобы не повредить внутренние части.
- ◆ Не помещайте электроприбор в воду или иную жидкость, а также под струю воды.
- ◆ Если прибор не поддерживается в чистом состоянии, то его поверхность может повредиться, это также, безусловно, сокращает срок службы прибора и даже может привести к тому, что его использование станет небезопасным.

НЕИСПРАВНОСТИ И РЕМОНТ

- ◆ В случае неисправности отнесите электроприбор в сервисный центр. Не пытайтесь самостоятельно ремонтировать электроприбор — это может быть опасно;

Для изделий в версии ЕС и/или, если этого требует законодательство в вашей стране: Экология и вторичное использование

- ◆ Материалы упаковки прибора принимаются системой сбора и сортировки материалов для вторичного их использования. Для утилизации используйте бытовые контейнеры для каждого типа мусора.
- ◆ В изделии нет веществ в концентрациях, которые считаются вредными для окружающей среды.



Этот значок означает, что после окончания срока службы для утилизации электроприбора отнесите его в пункт сбора электрических и электронных отходов (WEEE)



Этот символ означает, что прибор может иметь аккумулятор или несколько аккумуляторов; пользователь должен извлечь их перед утилизацией прибора. Помните, что аккумуляторы должны быть выброшены только в специально предназначенные для этого контейнеры. Не бросайте их в огонь.

Следующая информация относится к спецификациям, связанным с экодизайном:

(EU) No 206/2012 + (EU) 2016-2282.

ВХМF75E	
Максимальный расход воздуха (F)	41,6 м³/мин
Потребляемая мощность вентилятора (P)	42,0W
Сервисное значение (SV) (согласно IEC 60879)	1,0 ((м³/мин)/ W
Энергопотребление в режиме ожидания (PSB)	0,3W
Сезонное потребление электроэнергии (Q)	13,8 кВтч/год
Уровень звуковой мощности вентилятора (LWA)	56 дБ(A)
Максимальная скорость воздуха (c)	2,8 м/с

Этот прибор выполнен в соответствии с Директивой по низковольтному оборудованию 2014/35/EU, Директивой по электромагнитной совместимости 2014/30/EU, Директивой 2011/65/EU, ограничивающей использование некоторых опасных веществ в электрическом и электронном оборудовании, а также Директивой 2009/125/EC по экологическим требованиям к изделиям, потребляющим энергию.

ГАРАНТИЯ И ТЕХНИЧЕСКАЯ ПОДДЕРЖКА

Этот продукт защищен юридической гарантией в соответствии с действующим законодательством. Чтобы обеспечить соблюдение ваших прав или интересов, вы должны обратиться в любую из наших официальных служб по технической поддержке клиентов.

Вы можете найти ближайшие из центров, пройдя по следующей веб-ссылке: <http://www.2helpu.com/>.

Вы также можете запросить соответствующую информацию, связавшись с нами (см. последнюю страницу руководства).

Вы можете скачать это руководство и обновления к нему по адресу <http://www.2helpu.com/>.

VENTILATOR CU PULVERIZA- RE APĂ BXMF75E

Stimate client,

Suntem bucuroși că ați ales să cumpărați un produs marca BLACK + DECKER.

Datorită tehnologiei sale, designului și modului de funcționare, precum și faptului că depășește cele mai stricte standarde de calitate, se poate garanta o utilizare complet satisfăcătoare și de lungă durată a produsului.

RECOMANDĂRI ȘI AVERTI- ZĂRI PRIVIND SIGURANȚA

- ◆ Înainte de a utiliza aparatul citiți cu atenție instrucțiunile și păstrați-le pentru a le putea consulta pe viitor. Nerespectarea acestor instrucțiuni poate provoca un accident.
- ◆ Acest aparat poate fi utilizat de către copiii cu vârsta de peste 8 ani, precum și de către persoanele cu o capacitate fizică, senzorială sau mentală redusă sau fără experiență și cunoștințe, doar dacă aceștia sunt sub supraveghere sau au fost instruiți în legătură cu utilizarea aparatului în condiții de siguranță și înțeleg eventualele pericole.
- ◆ Curățarea și întreținerea nu trebuie efectuate de către copii fără supraveghere.
- ◆ Acest aparat nu este o jucărie. Copiii trebuie supravegheați, pentru a vă asigura că nu se joacă cu aparatul.
- ◆ Dacă cablul de alimentare este deteriorat, acesta trebuie înlocuit de producător, de agentul de service sau de persoane calificate în mod similar, pentru a evita pericolul.
- ◆ Asigurați-vă că ventilatorul este deconectat de la alimentarea cu electricitate înainte de a începe operațiunea de instalare sau asamblare.
- ◆ Deconectați aparatul de la rețeaua de alimentare atunci când nu îl utilizați și înainte de orice activități de curățare, întreținere sau umplere.
- ◆ Asigurați-vă că ventilatorul este deconectat de la alimentarea cu electricitate înainte de a scoate protecția.
- ◆ Acest aparat este destinat numai pentru uz casnic, nu pentru uz profesional sau industrial.
- ◆ Fiți conștient de faptul că nivelurile ridicate de umiditate pot încuraja dezvoltarea organismelor biologice din mediul înconjurător.
- ◆ Nu permiteți ca zona din jurul umidificatorului să devină umedă. Dacă apare umezeala, reduceți puterea umidificatorului. Dacă volumul umidificatorului nu poate fi redus, se va utiliza în mod intermitent. Nu permiteți ca materialele absorbante, cum ar fi covoarele, perdelele, draperiile sau fețele de masă, să devină umede.

- ◆ Scoateți aparatul din priză în timpul umplerii și curățării
- ◆ Nu lăsați niciodată apă în rezervor când aparatul nu este utilizat.
- ◆ Goliți și curățați umidificatorul înainte de depozitare. Curățați umidificatorul înainte de următoarea utilizare.
- ◆ **AVERTISMENT:** Microorganismele care pot fi prezente în apă sau în mediul în care este utilizat sau depozitat aparatul se pot dezvolta în rezervorul de apă și pot fi împrăștiate în aer, provocând riscuri grave pentru sănătate atunci când apa nu este schimbată și rezervorul nu este curățat corespunzător la fiecare 3 zile.
- ◆ Goliți rezervorul și umpleți-l din trei în trei zile. Înainte de reumplere, curățați-l cu apă curată de la robinet și câteva picături de detergent. Îndepărtați orice depuneri, calcar sau peliculă care s-a format pe părțile laterale ale rezervorului sau pe suprafețele interioare și ștergeți toate suprafețele.
- ◆ Înainte de a brânza aparatul, verificați dacă tensiunea de pe plăcuța cu datele de identificare corespunde celei de la rețeaua de alimentare electrică.
- ◆ Conectați aparatul la o priză cu alimentare de minim 10 amperi.
- ◆ Ștecărul aparatului trebuie să intre corect în priză. Nu modificați ștecărul. Nu utilizați adaptoare pentru ștecăre.
- ◆ Aparatul trebuie utilizat și amplasat pe o suprafață plană și stabilă.
- ◆ Asigurați-vă că atât calea de acces a aerului cât și cea de ieșire nu sunt acoperite parțial sau în totalitate cu draperii sau materiale etc., întrucât acestea sporesc

riscul de incendiu.

- ◆ Nu utilizați acest aparat împreună cu un programator, temporizator sau alt dispozitiv care îl pornește în mod automat.
- ◆ Nu utilizați aparatul dacă acesta are ștecărul sau cablul de alimentare deteriorat.
- ◆ Dacă una dintre părțile carcasei aparatului se sparge, deconectați imediat aparatul de la rețeaua de alimentare electrică, pentru a preveni posibilitatea unei electrocutări.
- ◆ Nu utilizați aparatul dacă a căzut pe pardoseală, dacă există semne vizibile de deteriorare sau dacă prezintă scurgeri.
- ◆ Nu trageți de cablul de alimentare. Nu utilizați niciodată cablul de alimentare pentru a ridica, transporta sau decupla aparatul.
- ◆ Nu înfășurați cablul electric în jurul aparatului.
- ◆ Verificați starea cablului de alimentare. Cablurile deteriorate sau încurcate măresc riscul de electrocutare.
- ◆ Acest aparat nu este adecvat pentru utilizarea în exterior.
- ◆ Cablul de alimentare trebuie examinat cu regularitate pentru semne de uzură, iar dacă acesta este deteriorat, aparatul nu trebuie utilizat.
- ◆ Nu utilizați și nici nu depozitați aparatul în exterior.
- ◆ Nu atingeți ștecărul cu mâinile umede.
- ◆ Nu atingeți niciuna din piesele mobile ale aparatului în timp ce acesta este în funcțiune.
- ◆ Temperatura suprafețelor accesibile poate fi ridicată în timpul folosirii aparatului.

Utilizare și îngrijire:

- ◆ Desfășurați complet cablul de alimentare al aparatului înainte de fiecare utilizare.
- ◆ Nu utilizați aparatul dacă accesoriile acestuia nu sunt montate corespunzător.
- ◆ Nu utilizați aparatul dacă accesoriile atașate acestuia sunt defecte. Înlocuiți-le imediat.
- ◆ Nu utilizați aparatul dacă comutatorul pornit/oprit nu funcționează.
- ◆ Nu mișcați aparatul în timpul utilizării.
- ◆ Nu utilizați aparatul dacă este înclinat și nu îl răsturnați.
- ◆ Nu răsturnați aparatul în timpul utilizării sau dacă este conectat la rețeaua de alimentare.
- ◆ Scoateți bateriile din telecomandă, dacă nu îl veți utiliza pentru o perioadă mai lungă de timp.
- ◆ Depozitați aparatul într-un loc care să nu fie la îndemâna copiilor și/sau a persoanelor cu capacități fizice, senzoriale sau mentale reduse, ori care nu au experiența sau cunoștințele necesare.

- ◆ Păstrați aparatul într-un loc uscat, lipsit de praf și care nu se află în lumina directă a soarelui.
- ◆ Asigurați-vă că praful, impuritățile sau alte obiecte străine nu blochează grilajul ventilatorului de pe aparat.
- ◆ Păstrați aparatul în stare bună. Verificați piesele mobile pentru a vedea dacă sunt nealiniate sau blocate și asigurați-vă că nu există piese rupte sau anomalii care pot afecta funcționarea corectă a aparatului.
- ◆ Nu lăsați niciodată aparatul conectat și nesupravegheat dacă nu este utilizat. Astfel se economisește energie și se prelungește durata de viață a aparatului.

Service:

- ◆ Asigurați-vă că lucrările de întreținere ale aparatului sunt efectuate doar de personal calificat și că sunt utilizate doar piese de schimb și accesorii originale pentru înlocuirea pieselor/accesoriilor existente.
- ◆ Nu încercați să dezamblați sau să reparați aparatul pe cont propriu, pentru a evita pericolele.
- ◆ **PRECAUȚIE:** Există risc de incendiu în cazul în care curățarea aparatului nu se realizează conform acestor instrucțiuni.
- ◆ Orice utilizare necorespunzătoare sau nerespectare a instrucțiunilor determină garanția și responsabilitățile producătorului să devină nule și neavenite.

DESCRIERE

1. Suport de protecție
2. Ventilare cu pulverizare
3. Protecție frontală ventilator
4. Suport pentru lamă
5. Elice paletă ventilator
6. Suport de protecție
7. Protecție spate ventilator
8. Capul ventilatorului/motor
9. Furtun flexibil pentru pulverizare
10. Șurub pentru fixare
11. Carcasă
12. Piedestal cu bază rotundă grea
13. 4 roți
14. Suport pentru podea
15. Capacul rezervorului pentru apă

- A Afișaj cronometru (ore)
- B Afișajul modului vânt „Stare de veghe”
- C Afișajul modului vânt „Natural”
- D Afișaj viteza vântului 2 „Medie”

- E Afișaj viteza vântului 1 „Light”
- F Afișajul volumului de pulverizare 1 „Light”
- G Afișajul modului vânt „Normal”
- H Afișaj oscilare
- I Afișaj viteza vântului 3 „Puternic”
- J Indicator luminos al temporizatorului
- K Afișaj volum de ceață 2 „Medium”
- L Afișaj volum de ceață 3 „Puternic”
- M Setări pentru volumul de pulverizare
- O Pornire/oprire a alimentării
- P Setări pentru modul vânt
- Q Setări pentru viteza ventilatorului
- R Oscilație PORNIT/OPRIT
- S Setări temporizator PORNIT/OPRIT

- 1.1 Pulverizare PORNIT/OPRIT și setări pentru volumul de pulverizare
- 1.2 Setări pentru viteza vântului
- 1.3 Temporizator PORNIT/OPRIT, 1-12 ore
- 1.4 Setări mod vânt
- 1.5 Ventilator PORNIT/OPRIT
- 1.6 Oscilare PORNIT/OPRIT

INSTALARE

- ◆ Asigurați-vă că îndalurați tot materialul ambalajului din interiorul aparatului.
- ◆ Asigurați-vă că ventilatorul este oprit și deconectat de la rețeaua de alimentare înainte de a începe orice operațiune de instalare sau asamblare.
- ◆ Nu îndalurați picioarele sau roțile suportului din aparat.
- ◆ Asigurați-vă că aparatul este plan față de podea.
- ◆ Nu acoperiți sau obturați orificiile aparatului.
- ◆ Ștecherul trebuie să fie ușor accesibil astfel încât acesta să poată fi deconectat în caz de urgență.
- ◆ Aparatele trebuie să fie utilizate având baza montată.
- ◆ Aparatul trebuie utilizat cu roțile montate.

Instrucțiuni pentru înlocuirea bateriei telecomenzii (Fig.3)

- ◆ Bateriile nereîncărcabile nu trebuie reîncărcate.
- ◆ Bateriile reîncărcabile trebuie să fie scoase din produs înainte de încărcare.
- ◆ Nu ar trebui să se amestece baterii de diferite tipuri și uzate.
- ◆ Bateriile trebuie să fie introduse cu polaritatea corectă
- ◆ Bateriile descărcate trebuie scoase și eliminate în

condiții de siguranță.

- ◆ Dacă aparatul urmează să fie depozitat pentru o perioadă lungă de timp fără a fi utilizat, atunci bateriile trebuie scoase.
- ◆ Terminalele de alimentare nu trebuie să fie scurt-circuitate.
- ◆ Deschideți capacul bateriei de la telecomandă, luați două baterii AAA de 1,5 V și introduceți-le (capătul cu arc din telecomandă este polul negativ). Polul pozitiv și cel negativ al bateriei trebuie să fie instalate în funcție de polul pozitiv și cel negativ al telecomenzii

Montarea suportului:

- ◆ Pentru a fixa suportul pe aparat, așezați aparatul cu fața în jos.
- ◆ Fixați baza pe corpul principal al aparatului.
- ◆ Fixați baza cu ajutorul suportului pentru podea
- ◆ Ridicați din nou aparatul pentru a verifica dacă piciorușele funcționează corespunzător.

Asamblarea roților:

- ◆ Pentru a monta roțile, poziționați aparatul cu fața în jos
- ◆ Introduceți cele 4 roți (13) în cele patru găuri
- ◆ Ridicați din nou aparatul în picioare pentru a verifica dacă roțile funcționează corect.

Asamblarea grilajului și a elicei (FIG 1&2):

- ◆ A) Îndepărtați suportul pentru paleta ventilatorului (4) și suportul de protecție (6) de pe capul ventilatorului,
- ◆ B) Aliniați protecția spate a ventilatorului (7) la poziția cardului și instalați-o, strângeți suportul de protecție (6) spre dreapta și fixați protecția spate
- ◆ C) Instalați elicea paletei ventilatorului (5) împotriva arborelui motorului, acordați atenție la faptul că știftul arborelui motorului trebuie să fie aliniat cu fanta de pe paleta ventilatorului și strângeți suportul pentru paletă (4) pe arborele motorului spre stânga.
- ◆ D) Instalați suportul de protecție (1) pe protecția spate a ventilatorului (7), apoi instalați protecția față a ventilatorului (3) (ventilarea cu pulverizare (2) de pe protecția față a ventilatorului este orientată în jos), cel mai bine este să strângeți șuruburile protecției ventilatorului

INSTRUCȚIUNI DE UTILIZARE

Înainte de utilizare:

- ◆ Asigurați-vă că ați înlăturat toate ambalajele produsului.

- ◆ Pregătiți aparatul conform funcției pe care doriți să o utilizați:

Utilizare:

- ◆ Atenție: Trebuie să aveți grijă pentru a evita vărsarea atunci când mutați aparatul.
- ◆ Desfășurați complet cablul înainte de a-l introduce în priză.
- ◆ Conectați aparatul la rețeaua de alimentare.
- ◆ Ghidați aparatul pentru a orienta fluxul de aer în direcția dorită.
- ◆ Porniți aparatul, utilizând butonul de pornire/oprire
- ◆ Selectați funcția pe care doriți să o realizeze aparatul.
- ◆ Selectați puterea dorită.
- ◆ Selectați viteza dorită.

Funcția ventilatorului:

- ◆ Selectați funcția ventilatorului.
- ◆ Selectați viteza dorită a ventilatorului.

Funcție temporizator:

- ◆ Durata de funcționare a aparatului poate fi controlată.
- ◆ Pentru a programa ora de funcționare, selectați-o pur și simplu cu ajutorul butoanelor (S) sau (1.3).
- ◆ Puteți selecta între 1 și 12 ore
- ◆ Dacă apăsați butonul „Temporizator” atunci când ventilatorul este pornit, afișajul va arăta atunci timpul rămas.
- ◆ Timpul programat sau timpul rămas va apărea pe afișaj (A).
- ◆ După timpul selectat, aparatul se va opri automat.

Funcția de oscilare:

- ◆ Funcția de oscilare face posibilă direcționarea fluxului de la aparat astfel încât acesta să alterneze automat într-un domeniu de 75°.
- ◆ Pentru a activa această funcție, apăsați butonul de pornire/oprire a oscilării (R) sau (1.6).
- ◆ Pentru a dezactiva această funcție, apăsați din nou butonul de pornire/oprire a oscilației (R) sau (1.6).
- ◆ MODURI
- ◆ Apăsați butonul „Mod vânt” (P) sau (1.4) pentru a seta modul de vânt (normal, stare de veghe, natural).
- ◆ Modul Normal este setat în mod implicit atunci când unitatea este pornită pentru prima dată
- ◆ Modul Natural generează tipuri de vânt variabile pentru a simula vânturile variabile
- ◆ pe care le-ați experimenta în aer liber
- ◆ Modul de veghe generează tipuri de vânt care sunt

identice cu vântul din modul Natural.

- ◆ tipuri. Cu toate acestea, atunci când ventilatorul este setat la viteză medie sau mare, tipul de vânt
- ◆ va scădea un nivel de viteză după aproximativ 30 de minute.
- ◆ Răcirea folosind pulverizarea cu ultrasunete
- ◆ Apăsăți butonul de setări „M” pentru a porni pulverizarea cu ultrasunete și puteți selecta volumul de pulverizare (scăzut, mediu și ridicat) apăsând butonul de mai multe ori.

După ce ați terminat de utilizat aparatul:

- ◆ Opriți aparatul de la comutatorul pornit/oprit (O).
- ◆ Scoateți aparatul din rețeaua de alimentare.
- ◆ Puneți cablul înapoi în compartimentul acestuia.
- ◆ Curățați aparatul.

Cum se evacuează excesul de apă

- ◆ Atenție: trebuie avută grijă la scurgerea excesului de apă pentru a evita scurgerile inutile. Scurgeți întotdeauna surplusul de apă într-un spațiu în care nu este posibilă deteriorarea zonelor înconjurătoare.
- ◆ La scoaterea rezervorului de apă, în aparat rămâne apă în exces. Pentru a scurge acest exces de apă, vă rugăm să urmați pașii de mai jos.
- ◆ Așezați pe podea un recipient adecvat în care să se scurga surplusul de apă.
- ◆ Sifonul este situat la îmbinarea bazei cu corpul principal al aparatului.
- ◆ Ridicați aparatul și răsturnați ușor înaintea peste recipient la un unghi de 60-80 de grade pentru a permite scurgerea apei.
- ◆ Aruncați surplusul de apă.

Umplerea rezervorului de apă (FIG.4)

- ◆ Scoateți rezervorul de apă. (Figura 4.1)
- ◆ Deșurubați capacul negru de pe partea inferioară. (Figura 4.2)
- ◆ Umpleți cu apă și înșurubați capacul înapoi. (Figura 4.3)

CURĂȚAREA

- ◆ Deconectați aparatul de la rețeaua de alimentare electrică și lăsați-l să se răcească înainte de efectuarea oricărei operații de curățare.
- ◆ To prevent the formation of scale, algae and bacteria clean the water tank and parts of the appliance that are in contact with standing water every 3 days.

- ◆ Clean the water tank and parts of the appliance that are in contact with standing water with fresh tap water and a few drops of cleaning detergent.
- ◆ Îndepărtați orice depuneri, calcar sau peliculă care s-a format pe părțile laterale ale rezervorului sau pe suprafețele interioare și ștergeți toate suprafețele.
- ◆ Nu permiteți ca apa sau orice alt lichid să pătrundă în gurile de aerisire pentru a evita deteriorarea pieselor interne ale aparatului.
- ◆ Nu scufundați niciodată aparatul în apă sau în orice alt lichid și nu lăsați apa să curgă pe acesta.
- ◆ Dacă aparatul nu este bine curățat, suprafața acestuia se poate deteriora, afectând în mod inevitabil durata de funcționare, devenind nesigur pentru utilizare.

ANOMALII ȘI REPARAȚII

- ◆ Dacă produsul este deteriorat sau apar alte probleme, duceți aparatul la un service autorizat de asistență tehnică. Nu încercați să-l demontați sau să-l reparați fără ajutor, deoarece poate fi periculos.

Pentru versiunile UE ale produsului și/sau în cazul în care este obligatoriu în țara dvs:

Ecologie și reciclarea produsului

- ◆ Materialele din care este format ambalajul acestui produs sunt incluse în sistemul de colectare, clasificare și reciclare. Dacă doriți să le eliminați, utilizați pubelele publice corespunzătoare fiecărui tip de material.
- ◆ Produsul nu conține substanțe în concentrații care ar putea fi considerate ca dăunătoare pentru mediu.



Acest simbol înseamnă că, în cazul în care doriți să eliminați produsul la încheierea duratei de funcționare a acestuia, trebuie să îl duceți la un centru autorizat de colectare a deșeurilor, în vederea colectării selective a deșeurilor de echipamente electrice și electronice (DEEE).



Acest simbol semnifică faptul că produsul poate conține una sau mai multe baterii; utilizatorul trebuie să le îndepărteze înainte de eliminarea produsului. Rețineți că bateriile trebuie aruncate în recipiente legal autorizate. Nu le aruncați în foc.

Următoarele informații, detalii și caracteristici sunt legate de proiectarea ecologică:

(EU) Nr 206/2012 + (EU) 2016-2282.

BXMF75E	
Debitul maxim al ventilatorului (F)	41,6 m ³ /min
Consum de putere (P)	42,0W
Valoare service (SV) (conform IEC 60879)	1,0 (m ³ /min)/W
Consum de putere în mod standby (PSB)	0,3W
Consum sezonier de energie electrică (Q)	13.8 kWh/a
Nivel de zgomot produs de ventilator (LWA)	56 dB(A)
Viteza maximă a aerului (c)	2,8 metri/sec

Acest aparat respectă Directiva 2014/35/EU cu privire la echipamentele electrice destinate utilizării în cadrul unor anumite limite de tensiune, Directiva 2014/30/EU cu privire la compatibilitatea electromagnetică, Directiva 2011/65/EU privind restricțiile de utilizare a anumitor substanțe periculoase în echipamentele electrice și electronice, precum și Directiva 2009/125/EC de instituire a unui cadru pentru stabilirea cerințelor în materie de proiectare ecologică aplicabile produselor cu impact energetic.

GARANȚIE ȘI ASISTENȚĂ TEHNICĂ

Acest produs beneficiază de recunoașterea și protecția garanției legale în conformitate cu legislația în vigoare. Pentru a vă exercita drepturile sau interesele, trebuie să vă adresați unuia dintre service-urile noastre oficiale de asistență tehnică.

Puteți găsi cel mai apropiat serviciu de asistență tehnică accesând următorul link web: <http://www.2helpu.com/>.

De asemenea, puteți solicita informații corelate, contactându-ne (consultați ultima pagină a manualului).

Puteți descărca acest manual de instrucțiuni și actualizările sale la <http://www.2helpu.com/>.

ВЕНТИЛАТОР-ОМЪГЛИТЕЛ ВХМF75E

Уважаеми клиенти,

Благодарим Ви, че закупихте електроуред с марката BLACK+DECKER

Технологията, дизайнът и функционалността на същия, както и фактът, че надвишава най-стриктните норми за качество, ще Ви донесат пълно и дълготрайно задоволство от него.

СЪВЕТИ И ПРЕДУПРЕЖДЕНИЯ ЗА БЕЗОПАСНОСТ.

- ◆ Прочетете внимателно тази брошура преди да пуснете уреда в действие и я запазете за по-нататъшни справки. Неспазването на указанията може да доведе до злополука.
- ◆ Уредът може да бъде използван от хора, които не умеят да боравят с този вид продукти, хора с физически увреждания или деца над 8 години, само и единствено ако се намират под надзора на възрастен или ако предварително им е обяснено как трябва да използват уреда по безопасен начин, а също и ако разбират съществуващите рискове.
- ◆ Не допускайте деца да извършват почистване или поддръжка на уреда без надзор.
- ◆ Уредът не е играчка! Децата следва да са под надзор, за да не играят с уреда.
- ◆ С цел да се избегнат щети - ако захранващия кабел е повреден, следва да бъде подменен от производителя, от техническата служба или от квалифицирано лице.
- ◆ Преди да предприемете дейности по инсталиране или монтаж, моля се увери се, че уредът е изключен от мрежата.
- ◆ Изключете апарата от мрежата, когато не е в работен режим и преди да извършите почистване, поддръжка и напълване на същия.
- ◆ Преди да премахнете щита се уверете, че щепселът на вентилатора е изваден от контакта.
- ◆ Уредът е предназначен единствено за битови нужди, а не за професионална или промишлена употреба.
- ◆ Високата влажност може да спомогне за увеличаването на биологични организми в околната среда.
- ◆ Не допускайте мястото около овлажнителя да се навлажнява или намокря. В случай на влажност, моля намалете въздухопотока, създаван от овлажнителя. Ако това е невъзможно, тогава го използвайте спорадично. Не допускайте да се навлажняват абсорбиращи материали, такива

като килими, завеси или одеяла.

- ◆ Преди да пълните или почиствате уреда, моля извадете щепсела от мрежата.
- ◆ Не оставяйте вода в резервоара, когато уредът не се използва.
- ◆ Изпразнете и почистете овлажнителя, преди да го съхраните. Почистете овлажнителя, преди да го използвате отново.
- ◆ **ВНИМАНИЕ:** Ако водата не се обновява и водохранилището не се почиства старателно на всеки 3 дни, наличните микроорганизми във водата или в околната среда, където използвате или съхранявате уреда могат да се размножат във водохранилището и да бъдат изхвърлени във въздуха. Това може да предизвика тежки рискове за вашето здраве.
- ◆ Изпразвайте и пълнете с чиста вода водохранилището - на всеки три дни. Преди да го напълните отново, почистете го с вода и няколко капки миялен препарат. Премахнете всякакви отлагания от котлен камък или слой, образуван се по водохранилището или по вътрешните повърхности, след което го почистете.
- ◆ Преди свързване на уреда се уверете, че волтажът, указан на идентификационната планка съпада с волтажа на електрическата мрежа.
- ◆ Уредът следва да се включва към контакт за напре-

жение с минимално токоподаване 10 ампера.

- ◆ Щепселът на устройството за зареждане на батерии трябва да съпада по вид с електрическия контакт. В никакъв случай не променяйте вида на щепсела. Не използвайте адаптори за щепсела.
- ◆ Поставете уреда върху стабилна, хоризонтална и равна повърхност.
- ◆ Уверете се, че входът и изходът на въздуха не са изцяло или частично закрити от завеси, дрехи или др., тъй като това увеличава риска от пожар.
- ◆ Не използвайте програматори, таймери или други устройства за автоматично включване.
- ◆ Не използвайте уреда при повреден кабел или щепсел.
- ◆ Ако някоя част от корпуса на уреда се повреди, незабавно извадете щепсела от контакта, за да избегнете опасност от електрически разряд.
- ◆ Забранена е употребата на апарата, ако същият е паднал или ако има явни признаци за дефекти, или при наличие на теч.
- ◆ Не дърпайте кабела. В никакъв случай не използвайте електрическия шнур за повдигане, пренасяне или изключване на апарата.
- ◆ Не навивайте кабела около уреда.
- ◆ Редовно следете за състоянието на кабела. Повредените или оплетени шнурове повишават риска от токов удар.
- ◆ Този уред не е предназначен за употреба на открито.
- ◆ Проверявайте периодично състоянието на кабела. Не използвайте уреда, ако забележите следи от повреда.
- ◆ Не използвайте и не съхранявайте уреда на открито.
- ◆ Не докосвайте щепсела за включване в мрежата с мокри ръце.
- ◆ Не се допирайте до движещите се части на уреда, докато същият се намира в работен режим.
- ◆ Когато уредът се намира в работен режим, достъпните повърхности може да бъдат силно нагreti.

Употреба и поддръжка:

- ◆ Преди да използвате уреда, извадете кабела докрай.
- ◆ Не използвайте уреда при неправилно поставени приставки.
- ◆ Не използвайте уреда при дефектни приставки. Незабавно ги заменете.
- ◆ В никакъв случай не използвайте уреда, ако прекъсвачът за включване/изключване е повреден.
- ◆ Не движете уреда, докато работи.
- ◆ Не използвайте уреда в наклонено или обърнато

положение.

- ◆ Не обръщайте наобратно уреда, докато работи или е включен в електрическата мрежа.
- ◆ В случай, че няма да използвате уреда за известно време, извадете батериите от дистанционното управление.
- ◆ Съхранявайте уреда далеч от досега на деца и/или хора с намалени физически, сензорни или умствени възможности - или такива без опит и знания за боравене с уреда.
- ◆ Съхранявайте уреда на сухо място, без прах и отдалечен от слънчевата светлина.
- ◆ Уверете се, че вентилационните решетки не са запушени от прах, нечистотии или други предмети.
- ◆ Поддържайте уреда в добро състояние. Проверете дали подвижните части не са разцентровани или блокирани, дали няма счупени части и други подобни неизправности, които да повлияят на правилното функциониране на машината.
- ◆ В никакъв случай не оставяйте включения уред без наблюдение. По този начин ще спестите енергия, а също и ще удължите полезния живот на ел.уреда.

Обслужване на уреда:

- ◆ Уверете се, че уредът е бил прегледан от квалифицирани лица, и че са използвани оригинални резервни части или приставки.
- ◆ Не се опитвайте да поправяте или разглобявате уреда самостоятелно.
- ◆ **ВНИМАНИЕ!** Налице е риск от възникване на пожар, ако апаратът не се почиства съгласно настоящите указания.
- ◆ Неправилното използване на уреда или неспазването на указанията за работа е опасно, анулира гаранцията и освобождава производителя от отговорност.

ОПИСАНИЕ

1. Защитен пръстен
2. Пръстен за омъгляване
3. Предна решетка
4. Шайба за закрепване
5. Витла
6. Защитен пръстен
7. Задна решетка
8. Глава/Мотор на вентилатора
9. Маркуч за създаване на мъгла
10. Крепежен винт
11. Кожух

12. Основа

13. 4 Колела

14. Шайба за закрепване на основата

15. Капак на водния контейнер

A Индикатор темпоризатор (часове)

B Индикатор на режим "Изчакване"

C Индикатор на режим "Естествен вятър"

D Индикатор за средна скорост на вятъра 2

E Индикатор за ниска скорост на вятъра 1

F Индикатор за слаб поток на мъглата 1

G Индикатор за нормален поток на мъглата

H Индикатор за махобразно въртене

I Индикатор за висока скорост на вятъра 3

J Светлинен индикатор на темпоризатора

K Индикатор за среден поток на мъглата 2

L Индикатор за силен поток на мъглата 3

M Настройки на потока на мъглата

O Включено/изключено

P Настройки на режима на вятъра

Q Настройки на скоростта на вентилатора

R Махобразно въртене ON/ OFF

S Настройки на темпоризатора ON/OFF

1.1 Задействане/спиране на мъглата и настройка на потока.

1.2 Настройки на скоростта на вятъра

1.3 Темпоризатор ON/OFF, 1-12 часа

1.4 Настройки на режима на вятъра

1.5 Вентилатор включване/изключване

1.6 Махобразно въртене ON/ OFF

МОНТАЖ

- ◆ Уверете се, че сте извадили опаковките от вътрешността на уреда.
- ◆ Преди да предприемете дейности инсталиране или монтаж, моля уверете се, че вентилаторът е изключен и щепселът е изваден от мрежата.
- ◆ Не отстранявайте краката или колелата на уреда.
- ◆ Уверете се, че уредът е подравнен.
- ◆ Не покривайте и не запушвайте отворите на уреда.
- ◆ Щепселът следва да е леснодостъпен, за да може при извънредно положение да бъде изваден.
- ◆ Уредът следва да се използва с поставена основа.
- ◆ Уредът следва да се използва с поставени колела.

Указания за подмяна на батерията на дистанционното управление (Fig. 3)

- ◆ Не се опитвайте да зареждате незареждащите се батерии.
- ◆ Извадете зареждащите се батерии от уреда, преди да пристъпите към зареждането им.
- ◆ Не смесвайте батерии от различен вид, нито пък използвани и нови батерии.
- ◆ Поставете батериите, съобразявайки се с правилния поляритет.
- ◆ Отстранете изтощените батерии и ги унищожете по безопасен начин.
- ◆ Ако няма да използвате уреда продължително време, моля отстранете батериите.
- ◆ Терминалите за захранване не бива да са свързани накъсо.
- ◆ Отворете капака за батериите на дистанционното управление и поставете две батерии AAA от 1,5 V (страната с пружинката е отрицателния полюс). Положителният и отрицателният полюси на батерията следва да съвпадат с положителния и отрицателния полюс на дистанционното управление.

Монтиране на основата:

- ◆ За да монтирате основата, обърнете уреда наобратно.
- ◆ Свържете основата към тялото на уреда.
- ◆ Закрепете основата със закрепващата шайба.
- ◆ Обърнете уреда в положение уреда и проверете, дали основата е закрепена добре.

Монтаж на колелцата:

- ◆ За да поставите колелцата, обърнете уреда наобратно.
- ◆ Вкарайте четирите колела (13) в четирите отвора.
- ◆ Обърнете уреда в изправено положение и проверете, дали колелцата работят добре.

Монтиране на решетката и витлата (FIG. 1 и 2):

- ◆ А) Извадете от главата на вентилатора гайката за витлата на вентилатора (4) и шайбата за закрепване на решетката (6).
- ◆ В) Подравнете задната решетка (7) на вентилатора съгласно указаното на планката положение и затегнете шайбата за закрепване (6), въртейки я в посока на часовниковата стрелка.
- ◆ С) Съединете витлата на вентилатора (5) към оста

на мотора, като се уверите, че щифта на мотора се намира на една линия с витлото на вентилатора. След това затегнете шайбата за закрепване витлото на вентилатора (4) в посока, обратна на часовниковата стрелка. .

- ◆ D) Закрепете защитния пръстен (1) към задната решетка (7), след което сглобете предната решетка (3) (пръстенът за омъгляване (2) в решетката е насочен надолу). Закрепете посредством винтовете.

УКАЗАНИЯ ЗА РАБОТА С УРЕДА

Преди първоначална употреба:

- ◆ Уверете се, че изцяло сте отстранили опаковката на уреда.
- ◆ Подгответе уреда в зависимост от желаната функция:

Употреба:

- ◆ Внимание: Трябва да се внимава да се избегне разливане при преместване на уреда.
- ◆ Преди употреба и включване на уреда, развийте напълно захранващия кабел.
- ◆ Включете уреда към електрозахранването.
- ◆ Насочете уреда така, че въздушният поток да тече в желаната от Вас посока.
- ◆ Задействайте уреда чрез бутона on/off .
- ◆ Изберете желана функция.
- ◆ Изберете мощността.
- ◆ Изберете скоростта.

Функция "Вентилатор":

- ◆ Изберете функция "Вентилатор".
- ◆ Изберете скоростта на вентилатора.

Функция „Темпоризатор“:

- ◆ Тази функция ви позволява да управлявате времето на работа на уреда.
- ◆ Програмирайте времето за работа посредством бутони (1.3) или избирайки (S).
- ◆ Можете да го изберете в обсега между 1 и 12 часа.
- ◆ Ако натиснете бутон "Timer" при включен вентилатор, на екрана ще се изпише оставащото време.
- ◆ На екрана ще се появи зададеното време или оставащото време (A).
- ◆ След изтичане на зададения час, уредът се изключва автоматично .

Функция "Махообразно въртене":

- ◆ Функцията "Махообразно въртене" Ви позволява да насочите течението на излизацията от уреда въздух, така че да покрива алтернативно и автоматично радиус до максимум 75°.
 - ◆ За задействане на тази функция, натиснете бутон on/off за махообразно въртене (R) или (1.6).
 - ◆ За изключването, натиснете отново бутон on/off за махообразното въртене (R) или (1.6).
 - ◆ РЕЖИМИ
 - ◆ За настройка на режима на въздухотока (обикновен, в изчакване или естествен), натиснете бутон "Wind Mode" (P) или (1.4).
 - ◆ При първоначално включване на уреда, по подразбиране се появява обикновения режим.
 - ◆ При режим "Естествен" създава променливи модели на въздухоток, наподобяващи вятъра в природата.
 - ◆ При режим "Изчакване" се създават същите модели въздухоток като при режим "Естествен".
 - ◆ При всички положения, когато вентилаторът бъде настроен на висока или средна скорост, моделът слиза с една степен скорост след изтичането на приблизително 30 минути.
 - ◆ Охлаждане посредством ултразвукова мъгла
- За задействане на ултразвуковата мъгла, моля натиснете бутон "M". Изберете силата на въздухотока на мъглата (слаба, средна и силна).

След приключване на работата с уреда

- ◆ Изключете уреда, натискайки прекъсвача за включване/изключване (O).
- ◆ Изключете уреда от мрежата.
- ◆ Поставете шнура в неговото хранилище.
- ◆ Почистете уреда.

Как да отстраним излишъка вода

- ◆ Внимание: трябва да се внимава при източване на излишната вода, за да се избегне ненужно разливане. Винаги източвайте излишната вода в пространство, където не е възможно повреда от водата на околните зони.
- ◆ Когато изваждате резервоара за вода, излишната вода остава в уреда. За да източите тази излишна вода, моля, следвайте стъпките по-долу.
- ◆ Поставете подходящ съд на пода, в който да източите излишната вода.
- ◆ Отводняването се намира на съединението на основата и основното тяло на уреда.
- ◆ Повдигнете уреда и леко го наклонете напред над

съда под ъгъл от 60-80 градуса, за да позволите на водата да се отцеди.

- ◆ Изхвърлете излишната вода.

Пълнене на резервоара за вода (FIG.4)

- ◆ Извадете резервоара за вода. (Фигура 4.1)
- ◆ Развийте черната капачка от долната страна. (Фигура 4.2)
- ◆ Напълнете с вода и завийте отново капачката. (Фигура 4.3)

ПОЧИСТВАНЕ

- ◆ Изключете уреда и го оставете да се охлади, преди да започнете да го почиствате.
- ◆ За да се предотврати образуването на котлен камък, водораслите и бактериите почистват резервоара за вода и части от уреда, които са в контакт със стояща вода на всеки 3 дни.
- ◆ Clean the water tank and parts of the appliance that are in contact with standing water with fresh tap water and a few drops of cleaning detergent.
- ◆ Отстранете наслагванията от котлен камък или слой, възможно появил се по страните на водохранилището или по вътрешните повърхности, след което подсушете.
- ◆ Не допускайте проникването на вода или друга течност през вентилационните отвори, за да избегнете повреда в работните части във вътрешността на уреда.
- ◆ Не потапяйте уреда във вода или друга течност, нито го поставяйте под течаща вода.
- ◆ Ако почистването е извършено неправилно, целостта на повърхността на уреда може да бъде нахвърнена, да се съкрати полезния му живот и дори - да се предизвикат опасни положения.

НЕИЗПРАВНОСТИ И ПОПРАВКА

- ◆ В случай на неизправност или друг проблем моля отнесете уреда в оторизиран сервиз за техническо обслужване. Не се опитвайте да го разглобявате или ремонтирате, тъй като това може да се окаже опасно.

За продукти от Европейския Съюз и/или в случай, че така го изисква нормативата във Вашата страна:

Опазване на околната среда и възможност за рециклиране на уреда

- ◆ Опаковъчните материали на уреда са включени в системата за събиране, класификация и рециклиране. Ако желаете да се освободите от тях, използвайте обществените контейнери, пригодени за всеки отделен вид материал.
- ◆ В изделието отсъстват концентрации на вещества, които могат да бъдат определени като вредни за околната среда.



Настоящият символ означава, че ако желаете да се освободите от изделието след изтичане на полезния му живот, следва да го отнесете на упълномощен представител за изборително събиране на излезли от употреба електрически и електронни уреди (ИУЕЕО).



Този символ означава, че във вътрешността на уреда може да има батерии, които трябва да се извадят, преди да се освободите от него. Не забравяйте, че батериите трябва се изхвърлят в специални контейнери. Не изхвърляйте изделието в огън.

Следната информация се отнася до характеристиките, свързани с екодизайн: (EU) No 206/2012 + (EU) 2016-2282.

ВХМF75E	
Максимален въздухопоток (F)	18,59 м³/мин
Входна мощност на вентилатора (P)	42,0 W
Експлоатационна стойност (SV) (според IEC 60879)	1.0 (м3/мин)/W
Енергопотребление в режим на изчакване (PSB)	0,3 W
Сезонна консумация на електроенергия (Q)	13,8 kWч/година
Равнище на шум на вентилатора (L _{WA})	56 dB(A)
Максимална мощност на въздуха (c)	2,8 м/с

Настоящият уред изпълнява Директива 2014/35/EU за ниски напрежения, Директива 2014/30/EU за електромагнитно съответствие и с Директива 2011/65/EU за ограниченията при употреба на някои определени опасни вещества в електрически и електронни апарати и с Директива 2009/125/EC за изискванията за екологичен дизайн, приложими към изделия, свързани с енергия.

ГАРАНЦИЯ И ТЕХНИЧЕСКА ПОМОЩ

Настоящият продукт има законна гаранция, в съответствие с действащото законодателство.

За да упражните правата си на потребител следва да се насочите към някой от нашите оторизирани сервизи. Най-близкия до Вас сервиз можете да откриете на следния линк: <http://www.2helpu.com/>

Също така, можете да потърсите информация, свързвайки се с нас (вижте на последната страница на наръчника).

Наръчника с указания и неговите осъвременявания можете да свалите на следния <http://www.2helpu.com/>.

België/Belgique	Stanley Black & Decker Belgium BVBA Egide Walschaertsstraat 16 2800 Mechelen	www.blackanddecker.be enduser.BE@SBDinc.com Tel - NL. +32 15 47 37 65 Tel – FR. +32 15 47 37 66
Bulgaria	Stanley Black&Decker Polska Bucharest Branch Phoenicia Business Center Turturelelor Street, No 11A, 6th Floor,Module 15, 3rd District. Bucharest (Romania)	office.bucharest@sbdinc.com Tel. +4021.320.61.04.
Česká Republika	Stanley Black & Decker Czech Republic s.r.o. Chodov Türkova 2319/5b 149 00 Praha 4 Česká Republika	www.blackanddecker.cz recepce@blackanddecker.cz Tel: 261 009 782
Danmark	Stanley Black & Decker Denmark Roskildevej 22 2620 Albertslund	www.blackanddecker.dk kundeservice.dk@sbdinc.com Tel. 70 20 15 10 Fax. 70 22 49 10
Deutschland	Stanley Black & Decker Deutschland GmbH Black & Decker Str. 40, D - 65510 Idstein	www.blackanddecker.de infobfge@sbdinc.com Tel. 06126 21-0 Fax 06126 21-2980
Ελλάδα	Black & Decker ΕΛΛΑΣ ΕΔΡΑ-ΓΡΑΦΕΙΑ : Σπράβωνος 7 & Λ. Βουλιαγμένης. 166 74 Γλυφάδα - Αθήνα SERVICE : Ημερος Τόπος 2 (Χάνι Αδάμ) - 193 00 Ασπρόπυργος	www.blackanddecker.gr Greece.Service@sbdinc.com Τηλ: 00302108981616 Φαξ: 00302108983570
España	Engineering and Technology for Life Spain Avenida Barcelona s/n 25790 Oliana (Lleida)	www.blackanddecker.es service.spain@etforlife.com
France	Engineering and Technology for Life France 6 rue de l'Industrie Z.I des Sablons 89100 Sens	www.blackanddecker.fr service.france@etforlife.com
Helvetia	ROFO AG Gewerbezone Seeblick 3213 Kleinbösingen	www.blackanddecker.ch service@rofoag.ch Tel. 026 674 93 93 Fax 026 674 93 94
Hungary	Stanley Black & Decker Hungary Kft. Meszaros u. 58/B 1016 Budapest (Hungary)	www.blackanddecker.hu Tel: 1.6 225-1661 / 62
Italia	Stanley Black & Decker Italia Via Energy park 6 c/o Energy park Building 3 sud 20871 Vimercate (MB)	www.blackanddecker.it service.italia@blackdecker.com Tel. 800-213935 Fax 039-9590313
Nederland	Stanley Black & Decker Netherlands BV Holtum Noordweg 35 6121 RE BORN Postbus 83. 6120 AB BORN	www.blackanddecker.nl enduser.NL@SBDinc.com Tel. +31 164 283 065 Fax +31 164 283 200
Norge	Stanley Black & Decker Norway AS Gullhaugveien 11, 0484 Oslo PB 4613, Nydalen, 0405 Oslo	www.blackanddecker.no kundeservice.no@sbdinc.com Tlf. 22 90 99 10 Fax 45 25 08 00

Österreich	Stanley Black & Decker Austria GmbH Oberlaaerstraße 248, A-1230 Wien	www.blackanddecker.at service.austria@sbdinc.com Tel. 01 66116-0 Fax 01 66116-614
Polska	Stanley Black & Decker Polska SP.z.o.o ul. Postepu 21D 02-676 Warszawa Polska	www.blackanddecker.pl reception.warsaw@sbdinc.com Tel: 22 4642700
Portugal	Engineering and Technology for Life Portugal Avenida Rainha D. Amélia, n°12-B 1600-677 Lisboa	www.blackanddecker.pt service.portugal@etforlife.com
Romania	Stanley Black&Decker Polska Bucharest Branch Phoenicia Business Center Turturelelor Street, No 11A, 6th Floor,Module 15, 3rd District. Bucharest (Romania)	office.bucharest@sbdinc.com Tel. +4021.320.61.04.
Slovenija	G-M&M, proizvodnja in marketing, d.o.o. Brvace 11 1290 Grosuplje (Slovenija)	G-M&M, proizvodnja in marketing, d.o.o. Brvace 11 1290 Grosuplje (Slovenija)
Suomi	Stanley Black & Decker Finland Oy Kumpulantie 13B, 00520 Helsinki PL 47, 00521 Helsinki	www.blackanddecker.fi asiakaspalvelu.fi@sbdinc.com Puh. 010 400 43 33 Faksi 0800 411 340
Sverige	Stanley Black & Decker Sweden AB Flöjelbergsgatan 1c, 431 35 Mölndal Box 94, 431 22 Mölndal	www.blackanddecker.se kundservice.se@sbdinc.com Tel. 031-68 60 60 Fax 031-68 60 80
United Kingdom & Republic Of Ireland	"Black & Decker Slough, Berkshire SL1 3YD 210 Bath Road "	www.blackanddecker.co.uk emeaservice@sbdinc.com Tel. 01753 511234

ENGINEERING AND TECHNOLOGY FOR LIFE, S.L.
Avda. Barcelona s/n
Oliana, 25790, Spain