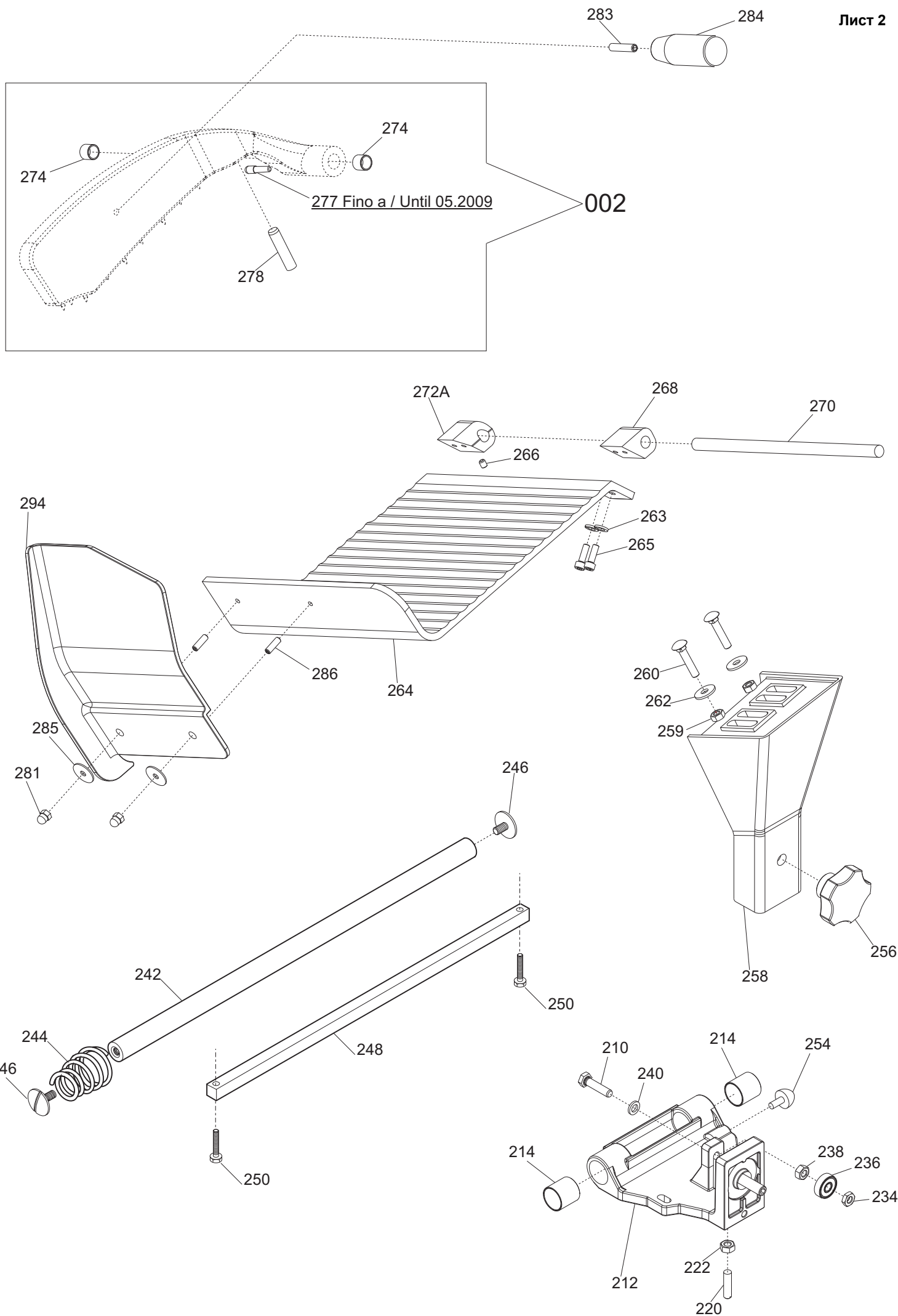
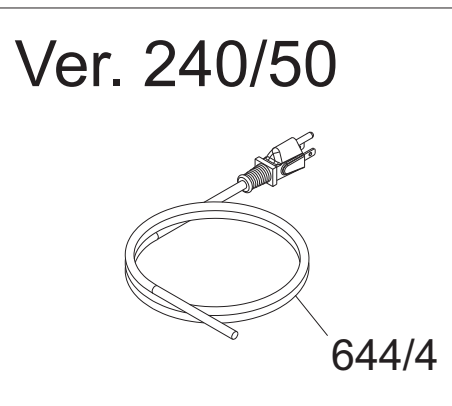
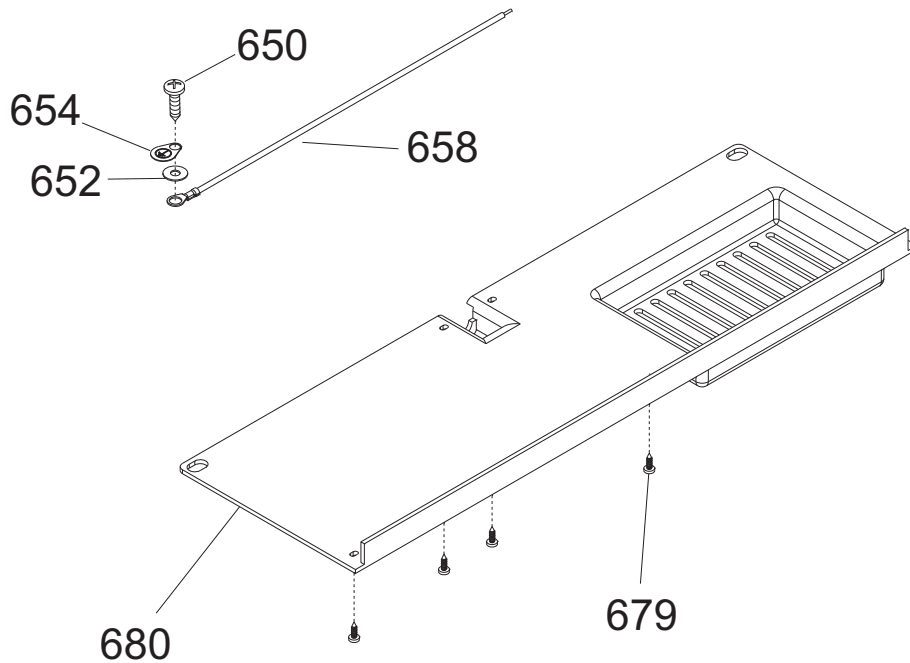
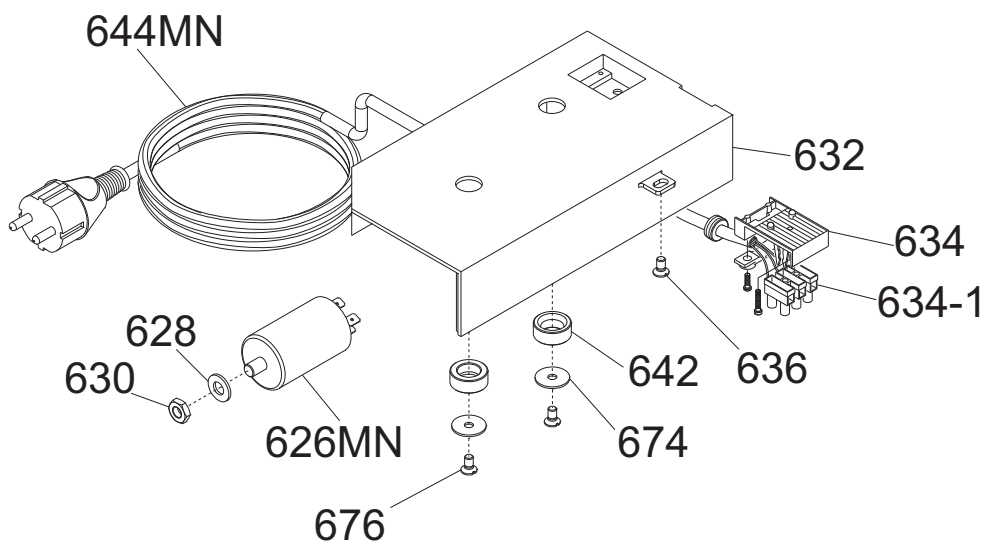
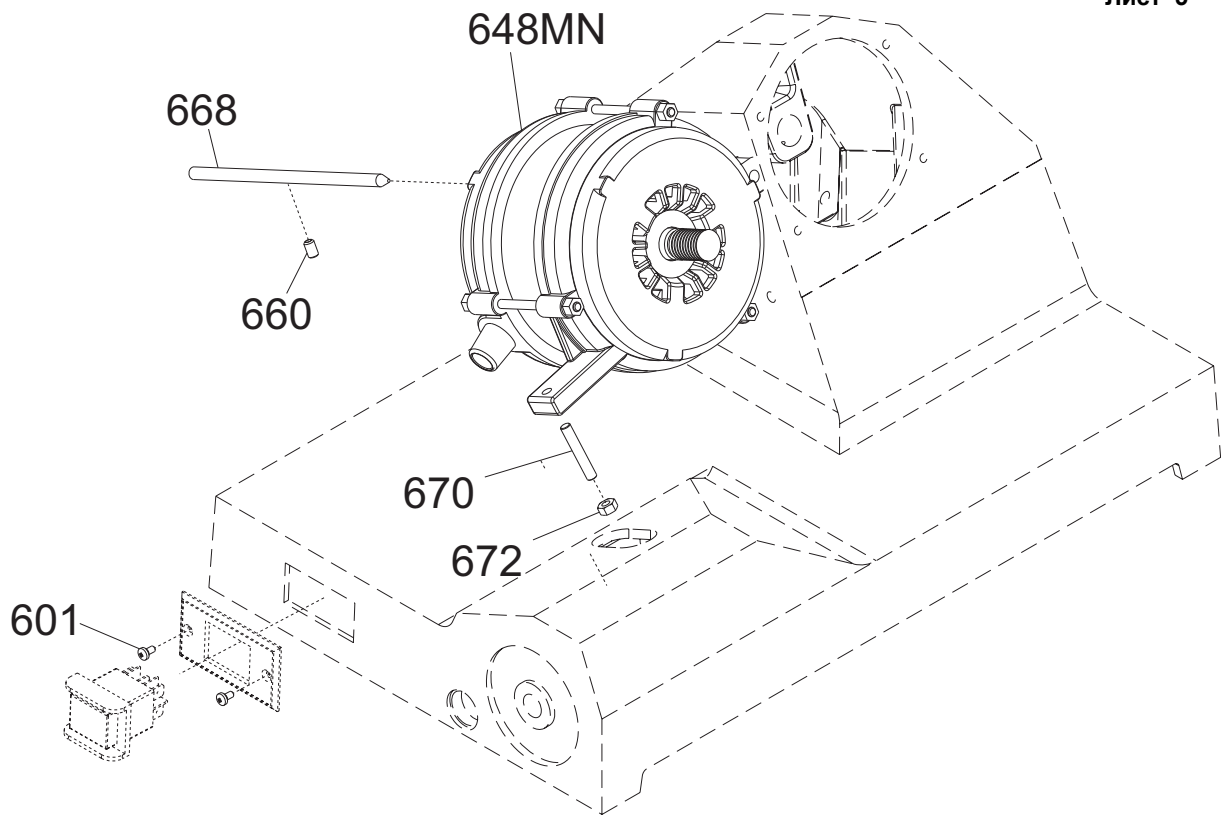


| | | |
|--------|--------------------------------------|-----------------|
| 2 | BASE/FRAME FOR SLICER MIRRA 220-250 | 19510101/01 |
| 4 | FOOT M5 FOR SLICER/CUTTER | 19560201 |
| 06B | PARALAMA 250 STAMP.CHUBU MONT.OSS | 195102025CHM.09 |
| 8 | BLADE COVER KNOB | 19021110 |
| 10 | FLATHEAD CSK SCREW DIN 963 M4 X 12 | IX2963004012 |
| 12 | FLATHEAD CSK SCREW DIN 963 M5 X 14 | IX2963005014 |
| 14B | HEX LOCK NUT, BLADE COVER MIRRA 250C | 19530912 |
| 14A | LOCK NUT_ MIRRA 250C FROM 2002 | 19521610/02 |
| 16 | BLADE 250 40/3/210 | 18250403210 |
| 16T | BLADE 250 - 40/3/210 TEFLON | 18250403210T |
| 20 | BLADE SHAFT GASKET_ MIRRA 220-250 | 19562124 |
| 22A | BLADE SHAFT _ MIRRA 220-300 | 19700332 |
| 22B | BLADE SHAFT _ MIRRA 220-300 Y10 | 19700340.10 |
| 24 | BELT TB2 345 X 8 _ MIRRA | 19310201 |
| 26 | GRUB SCREW DIN 916 M 5X8 NE | NE0916005008 |
| 32 | BLADE COVER TIE ROD MIRRA 220-250 | 19530532 |
| 34 BL | TIE ROD KNOB M 6 BLUE _ MIRRA | 19564016 |
| 34 NR | TIE ROD KNOB M6X5 FOR MIRRA | 19562502 |
| 36 | PLASTIC DEFLECTOR NEW MIRRA 250 | 19562207 |
| 38 | SCREW POELIERS M5 X 8 | IX2POEL005008 |
| 40B | THICKNESS PLATE MIRRA 250 C FROM 09 | 195103025.09 |
| 48 | SUPPORT CAP_ MIRRA 220-300 | 19560132 |
| 52 | HEX.NUT DIN 934 M 6 | IX2934006 |
| 54 | FIXING SCREW_ MIRRA 220-250 | 19335060 |
| 56 | WASHER LARGE DIN 9021 D 6X18 | IX29021006018 |
| 58 | GAUGE PLATE HOLDER _ MIRRA 220-250C | 19510701.18 |
| 62 | LARGE WASHER | 19563002 |
| 64 | GAUGE PLATE SLIDE _ MIRRA | 19500101/01 |
| 65 | MOVEMENT HEAD D8,5XHT2 FOR SLICER | 19563201 |
| 66 | SLIDE GUIDE _ MIRRA | 19540601 |
| 68 | GRUB SCREW DIN 916 M 6X10 NE | NE0916006010 |
| 70 | HEX.SCREW DIN 933 M5 X 12 | IX2933005012 |
| 74 | SPRING PIN _ MIRRA 220/50 | 19531360 |
| 78 | SLIDE SPRING _ MIRRA 220-250 | 19390201/02 |
| 80 | PLATE SLIDE PIN D12X122,5 _ MIRRA | 19530701 |
| 82 | BRASS STUD BOLT 6X25 | 19337002 |
| 82 | BRASS STUD BOLT M6 X 17 _ MIRRA | 19337032 |
| 84 | HEX.NUT DIN 934 M 6 | IX2934006 |
| 86 | FLAT WASHER DIN 125 D 6 | IX2125006 |
| 88 | LOW HEX.NUT DIN 439 M 6 | IX2439006 |
| 90 | CAM PIN FOR MIRRA | 19336062/01 |
| 92 | CAM FOR MIRRA 220/275/300 | 19563505LG |
| 94 | GRUB SCREW DIN 916 M 5X8 NE | NE0916005008 |
| 96 | CORRUGATED WASHER 12 | 19342005 |
| 98 | GRUB SCREW DIN 916 M5 X 6 NE | NE0916005006 |
| 99 | BOCCOLE AUTOLUBR.12.14.25 | 19324114 |
| 100 | THICKNESS KNOB WASHER _ MIRRA | 19562145 |
| 102 BL | THICKNESS KNOB BLUE_ MIRRA | 19564020 |
| 102 NR | MANOPOLA NUMERATA MRR C | 19562403 |
| 106 | BLADE GUARD STOPPER MIRRA 220/250 | 19531350/02 |
| 108 | FLAT WASHER DIN 125 D 8 | IX2125008 |
| 110 | HEX.NUT DIN 934 M 5 | IX2934005 |
| 118 | MAGNET FOR SO ANODIZED/GF/FR | LF1010004 |
| 119 | SCREW TC+ DIN 7985 M5X8 | IX27985005008 |
| 120 | ASSIEME SUPP.STACCAF.MRR 250NEW | 19700210 |



| | | |
|---------|--------------------------------------|---------------|
| 2 | END WEIGHT MRR-CNV NON CE | 19801232 |
| 210 | SCREW TE DIN 933 M 6X30 T.F. | IX2933006030 |
| 212+214 | CARRIAGE SLIDE FOR MIRRA | 19500501 |
| 214 | BUSHING 18.20.20 | 19324108 |
| 220 | BRASS STUD BOLT 6X25 | 19337002 |
| 222 | HEX.NUT DIN 934 M 6 | IX2934006 |
| 234 | LOW HEX.NUT DIN 439 M 6 | ix2439006 |
| 238 | HEX.NUT DIN 934 M 6 | IX2934006 |
| 240 | FLAT WASHER DIN 125 D 6 | IX2125006 |
| 242 | SLIDE ROUND BAR _ MIRRA | 19530601 |
| 244 | ROUND BAR SPRING D.18 MIRRA 220-250 | 19390111 |
| 246 | ROUND BAR SCREW T.20 _MIRRA | 19335001 |
| 248 | SQUARE BAR _ MIRRA | 19540101 |
| 250 | HEX.SCREW DIN 933 M5 X 20 | IX2933005020 |
| 254 | CARRIAGE BUFFER M5X12 MIRRA 220-300 | 19560170 |
| 256 BL | BLADE GUARD TIE ROD KNOB M8 _ BLUE | 19564013 |
| 256 NR | TIE ROD KNOB M8 | 19562504 |
| 258 | PRODUCT PLATE STEM _ MIRRA | 19510601L |
| 259 | HEX.NUT DIN 934 M 6 | IX2934006 |
| 260 | SCREW, PRODUCT PLATE MIRRA 220-250 | 19335042 |
| 262 | WASHER LARGE DIN 9021 D 6X18 | IX29021006018 |
| 263 | GROWER WASHER UNI 1751 D.6 | IX21751006 |
| 264 | PRODUCT PLATE _ MIRRA 250 C | 1,95E+16 |
| 265 | FLATHEAD CSK SCREW DIN 963 M5 X 12 | IX2963005012 |
| 266 | GRUB SCREW DIN 916 M5 X 6 NE | NE0916005006 |
| 268 | ROD BLOCK, STRAIGHT _ MIRRA Y06 | 19525062 |
| 270 | MEAT PRESS ROD _MRR 250 Y06/CANOVA25 | 19530402.06 |
| 272B | ROD BLOCK, INCLINED _MIRRA Y10 | 19525060.10 |
| 274 | BUSHING 10.12.10 | 19324101 |
| 277 | MEAT PRESS INSERT | 19563213 |
| 278 | MEAT PRESS BUFFER D8,5XH36 | 19563206 |
| 281 | BLIND NUT DIN 1587 M5 | IX21587LC005 |
| 283 | SCREW DIN 913 M 6X30 CE | IX2913006030 |
| 284 BL | MEAT PRESS HANDLE BLUE _ MIRRA | 19564019.13 |
| 284 NR | MEAT PRESS KNOB FOR MIRRA - BLACK | 19562900 |
| 285 | WASHER LARGE DIN 9021 D 5X20 | IX29021005020 |
| 286 | GRUB SCREW DIN 913 M 5X16 CE | IX2913005016 |
| 294 | POLYC.HAND GUARD MRR 220-250_NEW | 19562322.06 |

| | | |
|-----|---------------------------------------|---------------|
| AC | SHARPENER ASS.Y_MIRRA 250C NORM/DOM | 19800031 |
| 402 | SHARPENER COVER FOR SLICER 250 | 19511202 |
| 410 | SHARPENER SPRING _ SLICER 250-300 | 19390303 |
| 412 | DEBURRING PIN _ SLICER 250-300 | 19540703 |
| 416 | DEBURRING STONE D.40 H8 F6 | 19300201 |
| 418 | FLAT WASHER DIN 125 D 6 | IX2125006 |
| 420 | HEX.NUT DIN 934 M 6 | IX2934006 |
| 421 | LOW HEX.NUT DIN 439 M 6 | IX2439006 |
| 424 | SHARPENING PIN _ SLICER 250-300 | 19540704 |
| 426 | DEBURRING BUTTON _ SLICER 250-300 | 19550203 |
| 427 | BUTTON LOCKING SCREW _ SLICER 250-370 | 19335025 |
| 428 | SHARPENER LOCKING KNOB FOR SLICER | 19562602 |
| 430 | SHARPENER SUPPORT STUD BOLT L=75 MM | 19336010 |
| 436 | SHARPENER SUPPORT _ MIRRA 250 C NEW | 19511105/02 |
| 438 | FLAT WASHER DIN 125 D 8 | IX2125008 |
| 440 | HEX.SCREW DIN 933 M8 X 20 | IX2933008020 |
| 442 | SUPPORT PIN L.76 _ MIRRA 250 C | 19540431 |
| 444 | HEX.SCREW DIN 933 M5 X 16 | IX2933005016 |
| 446 | WASHER LARGE DIN 9021 D 5X15 | IX29021005015 |
| 448 | HEX.NUT DIN 934 M 5 | IX2934005 |
| 452 | GRUB SCREW DIN 913 M5 X 50 CE | IX2913005050 |
| 453 | GRUB SCREW DIN 913 M5 X 20 CE | IX2913005020 |
| 454 | SEEGER DIN 471 D 06E | IX2471006 |
| 456 | SHARPENER FRAME_MIRRA VERT.220-300 | 19021332 |
| 460 | HEX.NUT DIN 934 M8 | IX2934008 |
| 468 | SHARPENING BUTTON _ SLICER 250-300 | 19550202 |
| 470 | SHARPENING STONE D40 H11 F6 | 19300101 |



| | | |
|----------|-------------------------------------|-----------------|
| 600 | ON/OFF SWITCH COMELUX 401/L | 19410102 |
| 601 | SELF-TAP.CONVEX HEAD SCREW DIN 7981 | IX279812.9009.5 |
| 602 | SWITCH FRAME FOR SLICER MRR | 19563171 |
| 626MN | CAPACITOR 8µF CODOLO M8 | 19410301 |
| 628 | FLAT WASHER DIN 125 D 8 | IX2125008 |
| 630 | HEX.NUT DIN 934 M8 | IX2934008 |
| 632 | RELAY HOUSING 11-04-97 _ MIRRA | 19563125 |
| 634-1 | TERMINAL BLOCK 3 POLES 27 | 19410822 |
| 634 | SUB-TERMINAL PA 228 | 19410820 |
| 636 | SCREW TC-DIN 84 M 5X10 | IX284005010 |
| 642 | HOUSING SPACER RING | 19561500 |
| 644/4 | AUSTRALIAN POWER CORD, 1PH | 19410508 |
| 644MN CN | CAVO ALIM.COMP. MN CINA 3X1 NEOPR | 194105121 |
| 644MN | SUPPLY CORD SINGLE-PHASE "SHUKO" | 19410502 |
| 648MN | MOTOR 230/50 P.40 _ MIRRA | 19403042 |
| 650 | VITE AUTOF.TC+ DIN 7981 D 3,5X9,5 | IX279813.5009.5 |
| 652 | WASHER DIN 6798-A D 4E | IX26798A004 |
| 654 | GROUND LABEL | 19420177 |
| 658 | GROUND CABLE UL _ MIRRA 220-250 | 19410738 |
| 660 | GRUB SCREW DIN 916 M 5X8 NE | NE0916005008 |
| 668 | S/S MOTOR ROD _ MIRRA | 19540501 |
| 670 | GRUB SCREW DIN 913 M 5X30 CE | IX2913005030 |
| 672 | HEX.NUT DIN 934 M 5 | IX2934005 |
| 674 | WASHER LARGE DIN 9021 D 5X20 | IX29021005020 |
| 676 | SCREW TC-DIN 84 M 5X10 | IX284005010 |
| 679 | SELF-TAP.CONVEX HEAD SCREW DIN 7981 | IX279812.9009.5 |
| 680 | BOTTOM COVER _ MIRRA 220-250 | 19563151 |