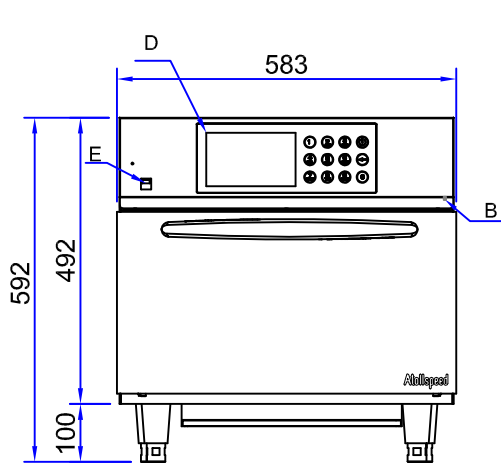
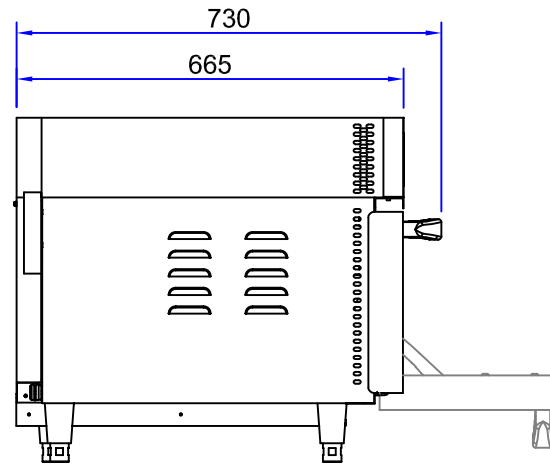


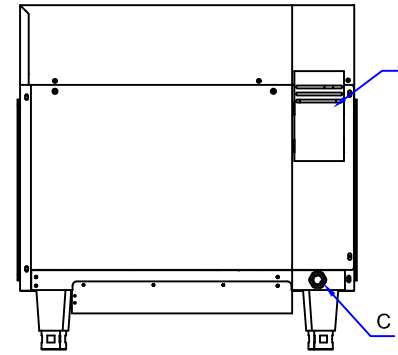
Kolb Atollspeed 400H K02-4003T1S



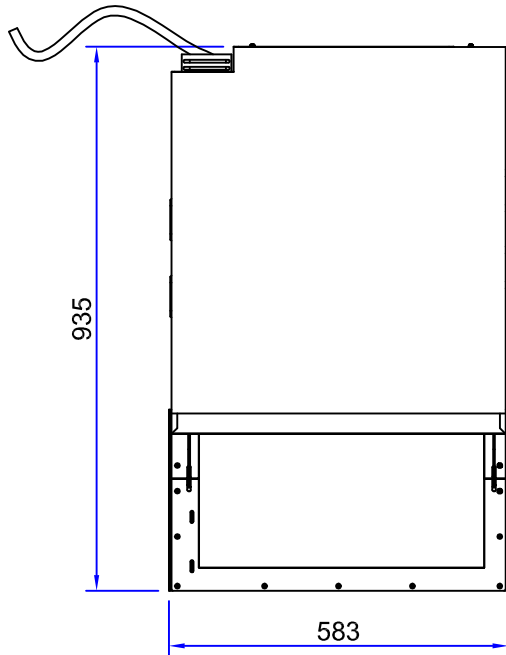
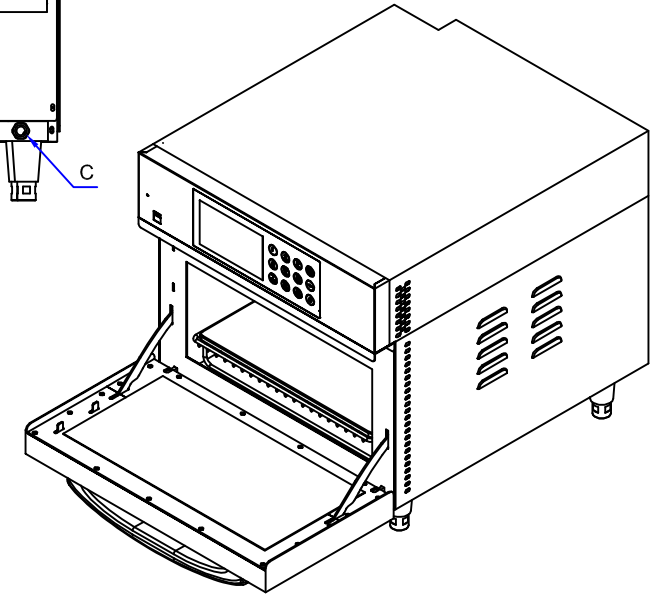
Front view



Side view



Rear view



Top view

- A Steam discharge cover
- B Temperature limiter
- C Power cable
- D Touch screen display
- E USB

Dimension: 583(W) x 730(D) x 592(H) mm
 Door open dimension: 583(W) x 935(D) x 592(H) mm
 Baking chamber dimension: 450(W) x 350(D) x 200(H) mm
 Standard Voltage: 380-400V/3N~/PE/50 Hz
 Optional Voltage: 415V (Specify on order)
 Optional Frequency: 60 Hz (Specify on order)
 Total power: 4.9 kW
 Microwave input power: 3.2 kW
 Heating power: 3.3 kW
 Current: 16 A
 Weight: 88 kg
 Microwave frequency: 2.465 GHz
 Recommended Fuse Type: D or K (slow)
 Recommended Wiring: 2.5 mm²

Signature: _____
Date: _____

Unassigned Tolerance According to DIN ISO 2768-1

Dimension	0.3 To 6	6 To 30	30 To 120	120 To 400	Radius 0.5 To 3	Radius 3 To 6	mm
Tolerance	±0.1	±0.2	±0.3	±0.5	±0.2	±0.5	mm

Kolb Huizhou Ltd.

Tolerance		Customer Title: Atollspeed 400H	Material: SS304
X.±	X.°	Kolb Item Number:	Version: 01
.X±	.X°		
.XX±	.XX°	Kolb Item Name: Atollspeed 400H	
		Weight	Thickness
			Item Number
			Page
		K02-4003T1S	1/1

1	Approve		Check		Draft	Min	Unit	mm
Quantity	Date		Date		Date	09.01.2018	Scale	1:1